

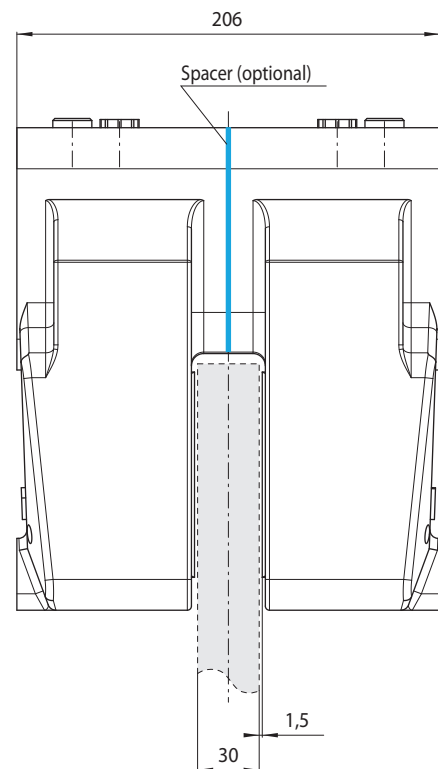
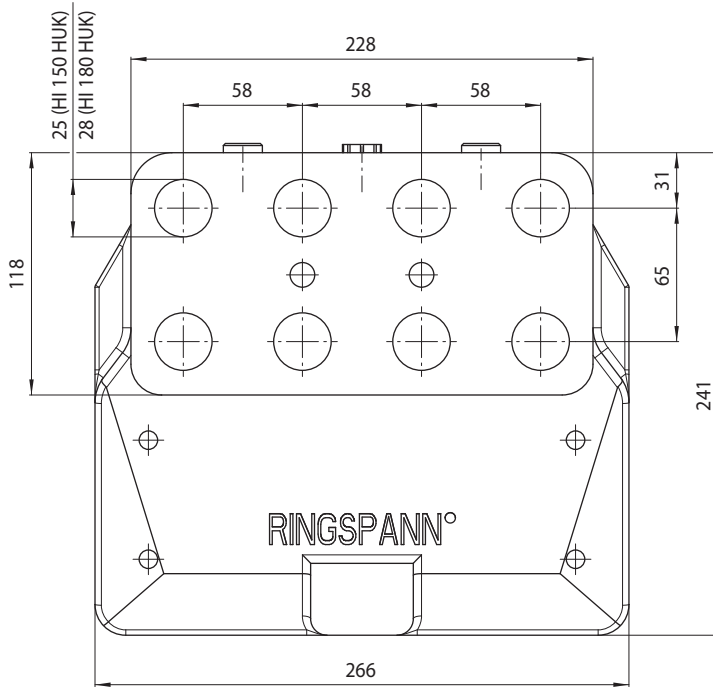
**Features**

	Code
Brake Caliper	H
With inside-mounted brake pads	I
With piston diameter 2 x 75 mm or piston diameter 2 x 90 mm	150 180
Hydraulically activated	H
Non-releasing	U
No adjustment to counter friction block wear	K
Max. clamping force 140 kN (HI 150)	140
Max. clamping force 200 kN (HI 180)	200

**Example for ordering**

Brake Caliper HI 150 HUK, max. clamping force 140 kN:

HI 150 HUK - 140



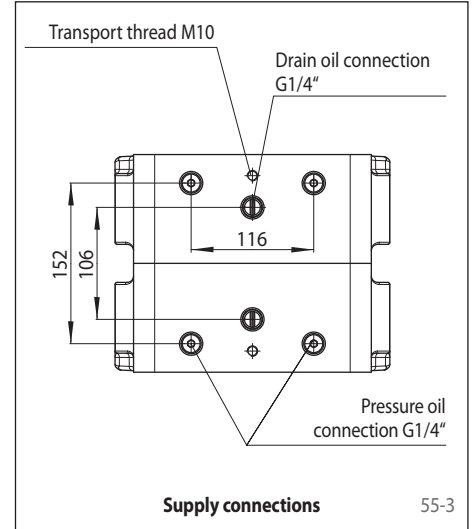
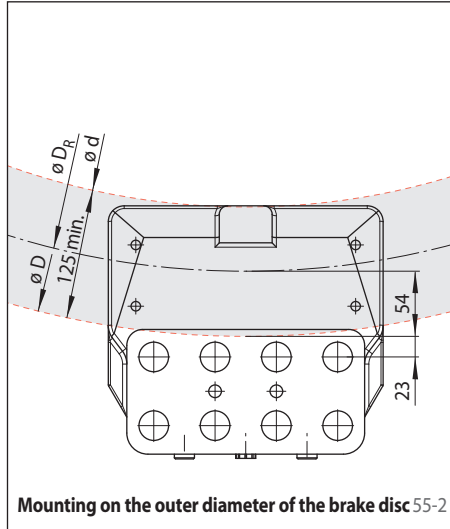
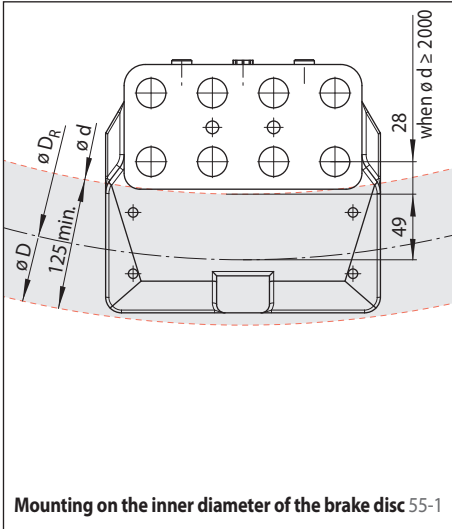
# Brake Calipers HI 150 HUK and HI 180 HUK

hydraulically activated – non-releasing  
as yaw brake in wind turbines

Morskate®

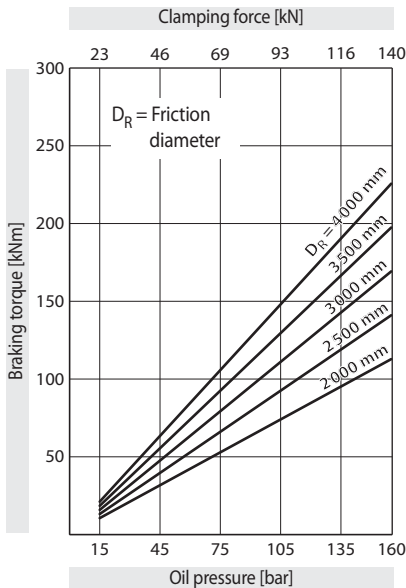


## Mounting



## Technical Data

### Brake Caliper HI 150 HUK



The braking torques shown in the diagram are based on a theoretical friction coefficient of 0,4.

Oil pressure: min. 15 bar  
max. 160 bar

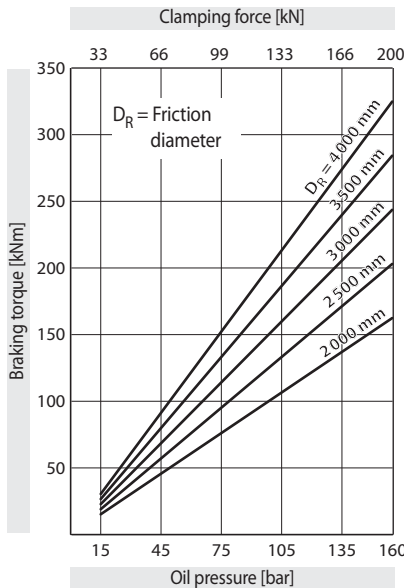
Oil volume: 17 cm<sup>3</sup> per 1 mm stroke

Weight: ca. 65 kg

### Other features

- High safety against leakage
- Painted with surface coating class C4-L according to ISO 12944
- For brake disc thickness  $W = 30$  mm; larger brake disc thicknesses can be achieved with the use of a spacer installed by the customer

### Brake Caliper HI 180 HUK



The braking torques shown in the diagram are based on a theoretical friction coefficient of 0,4.

Oil pressure: min. 15 bar  
max. 160 bar

Oil volume: 26 cm<sup>3</sup> per 1 mm stroke

Weight: ca. 65 kg

### Accessories

- Optional painting with surface coating class C4-H or C5M-H (offshore) according to ISO 12944

## Calculation of the friction diameter

Mounting on the inner diameter of the brake disc:

$$D_R = d + (2 \cdot 49 \text{ mm})$$

(when  $d \geq 2000$  mm)

Mounting on the outer diameter of the brake disc:

$$D_R = D - (2 \cdot 54 \text{ mm})$$

## Calculation of the braking torque

HI 150 HUK:

$$M_B = \frac{D_R}{1,132} \cdot p \cdot \mu$$

HI 180 HUK:

$$M_B = \frac{D_R}{0,786} \cdot p \cdot \mu$$

## Formula symbols

$M_B$  = Braking torque [Nm]  
 $D$  = Outer diameter brake disc [mm]  
 $d$  = Inner diameter brake disc [mm]  
 $D_R$  = Friction diameter [mm]  
 $p$  = Oil pressure [bar]  
 $\mu$  = Friction coefficient

Any questions? Please contact us.

Morskate Aandrijvingen BV  
 Oosterveldsingel 47A  
 7558 PJ Hengelo (Ov)  
 The Netherlands

NL  
 T +31 (0)74 - 760 11 11  
 info@morskateaandrijvingen.nl  
 www.morskateaandrijvingen.nl

DE  
 T +49 692 - 222 34 95  
 info@morskateantriebstechnik.de  
 www.morskateantriebstechnik.de

EN  
 T +31 (0)74 - 760 11 11  
 info@morskatedrivetechnology.com  
 www.morskatedrivetechnology.com