

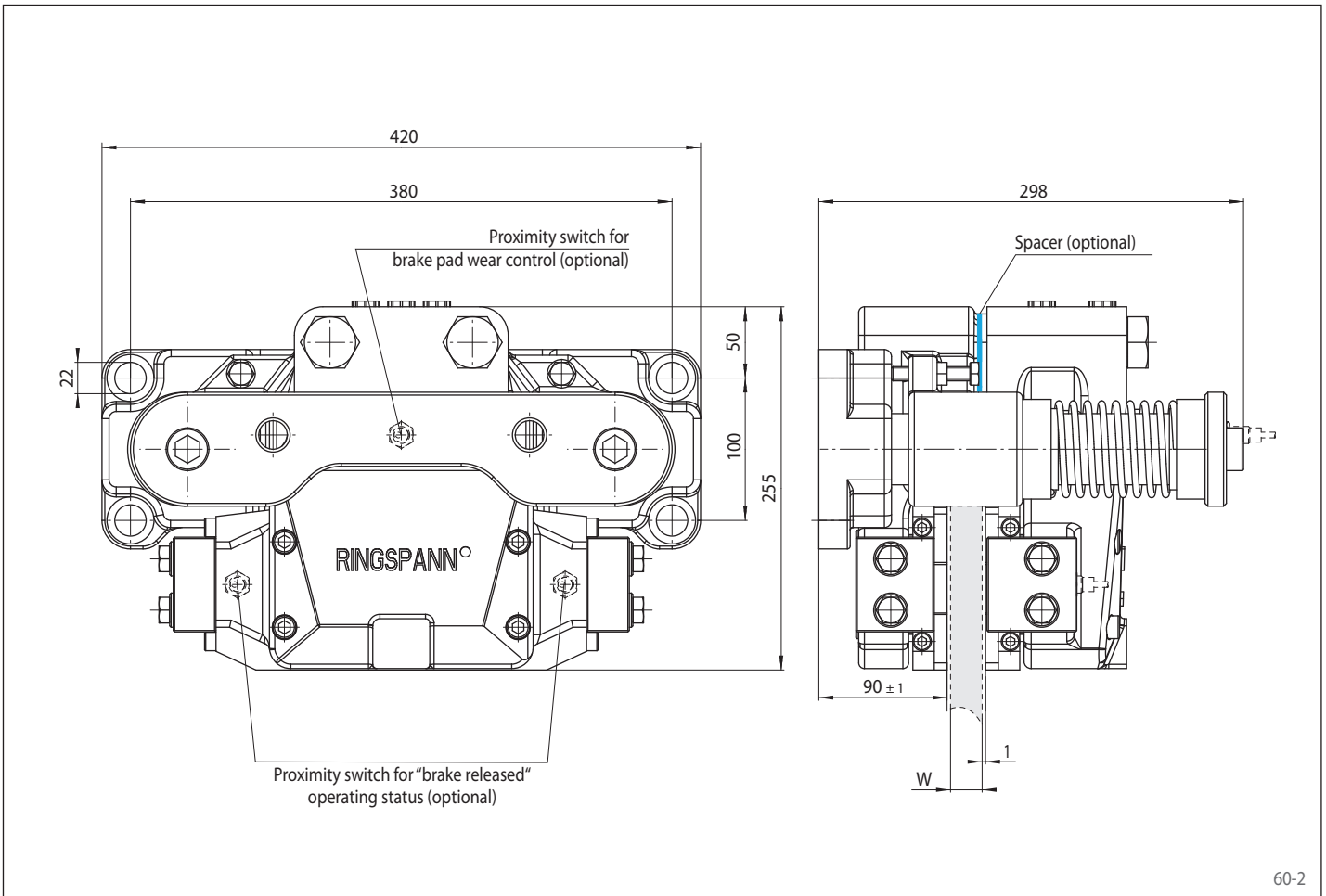
Features

Features	Code
Brake Caliper	H
Floating caliper	S
With piston diameter 75 mm	075
Hydraulically activated	H
Spring released	F
No adjustment to counter friction block wear	K
Max. clamping force 55 kN	055

Example for ordering

Brake Caliper HS 075 HFK, max. clamping force 55 kN:

HS 075 HFK - 055



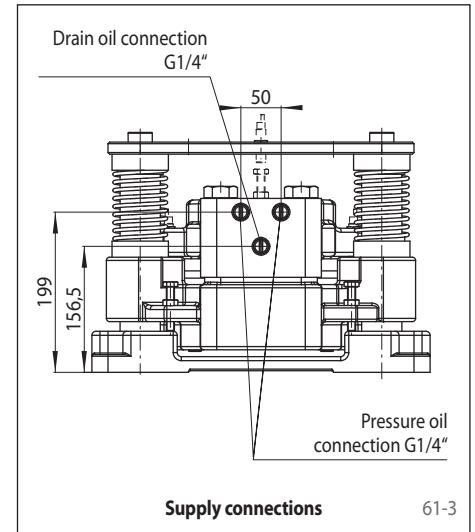
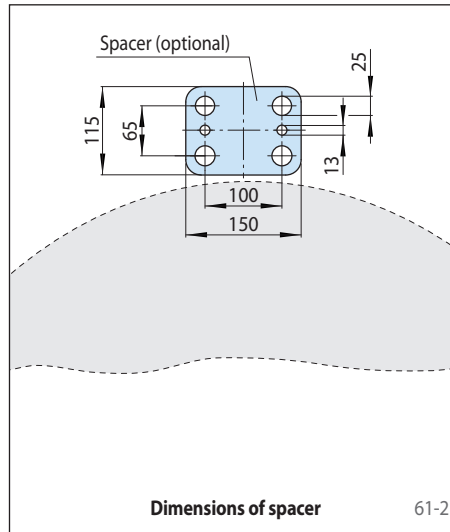
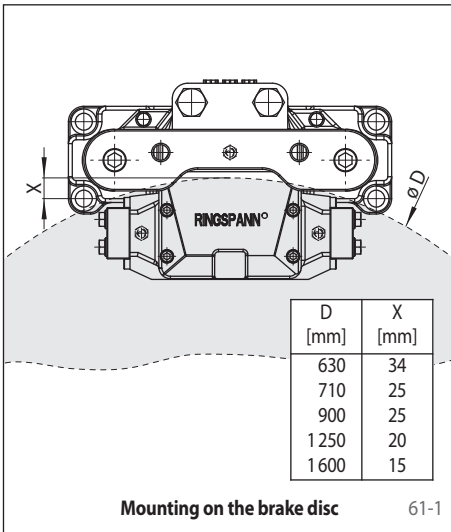
Brake Caliper HS 075 HFK

hydraulically activated – spring released

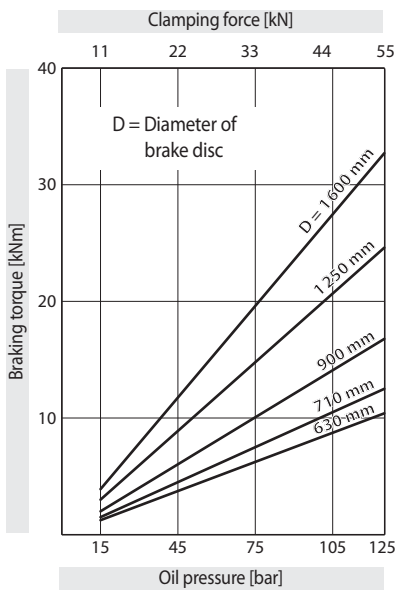
Morskate®



Mounting



Technical Data



The braking torques shown in the diagram are based on a theoretical friction coefficient of 0,4.

Oil pressure: min. 15 bar
max. 125 bar

Oil volume: 53 cm³ per stroke

Weight: ca. 80 kg

Other features

- High safety against leakage
- Easy change of friction blocks
- Painted with surface coating class C4-L according to ISO 12944
- For brake disc thickness $W = 20$ mm; brake disc thicknesses of up to 40 mm can be achieved with the use of a spacer installed by the customer

Accessories

- Inductive proximity switch for "brake released" operating status
- Inductive proximity switch for brake pad wear control
- Optional painting with surface coating class C4-H or C5M-H (offshore) according to ISO 12944

Any questions? Please contact us.

Morskate Aandrijvingen BV

Oosterveldsingel 47A
7558 PJ Hengelo (Ov)
The Netherlands

NL

T +31 (0)74 - 760 11 11
info@morskateaanrijvingen.nl
www.morskateaanrijvingen.nl

DE

T +49 692 - 222 34 95
info@morskateantriebstechnik.de
www.morskateantriebstechnik.de

EN

T +31 (0)74 - 760 11 11
info@morskatedrivetechnology.com
www.morskatedrivetechnology.com