

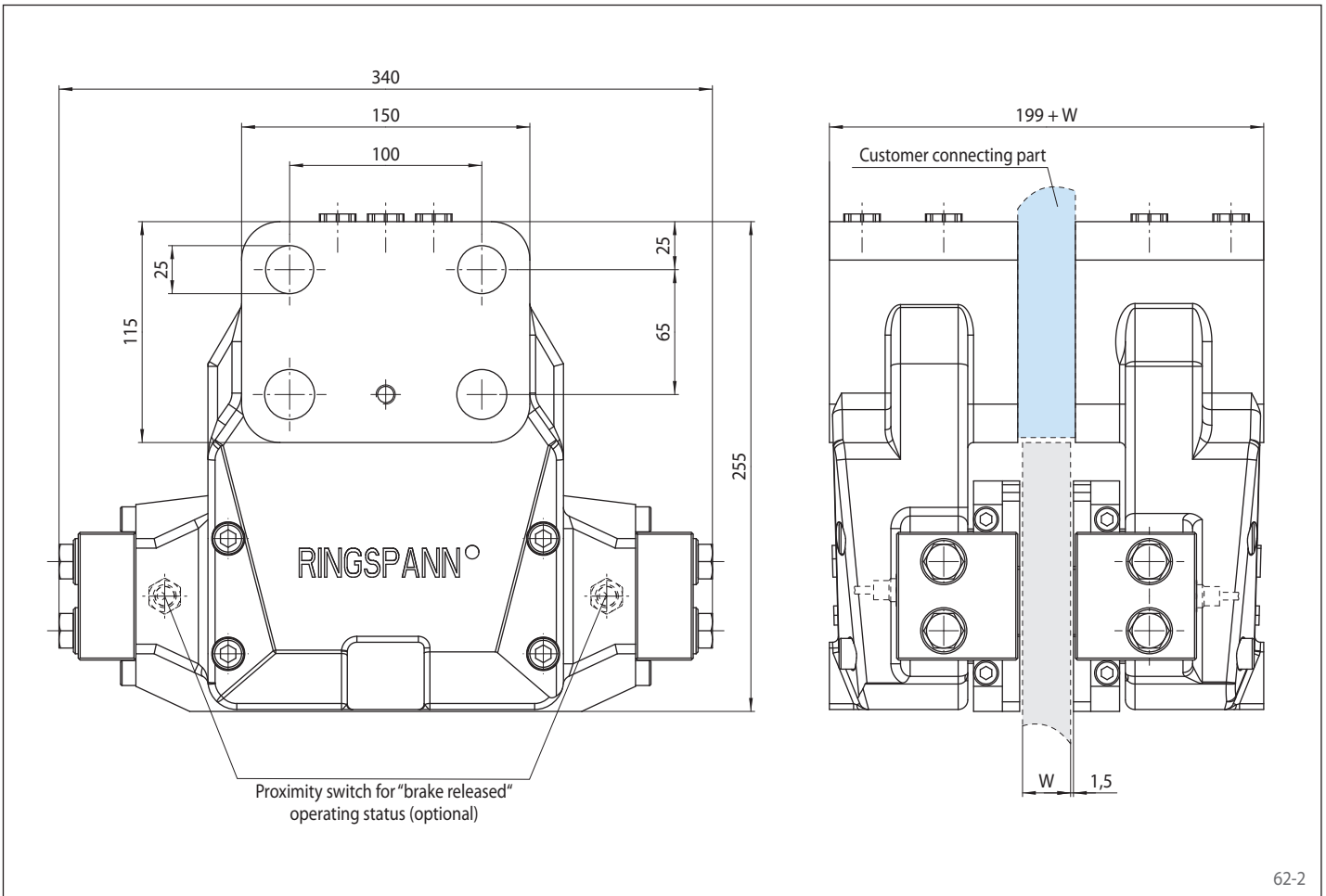
Features

Features	Code
Brake Caliper	H
Standard	W
With piston diameter 75 mm	075
Hydraulically activated	H
Spring released	F
No adjustment to counter friction block wear	K
Max. clamping force 55 kN	055

Example for ordering

Brake Caliper HW 075 HFK, max. clamping force 55 kN:

HW 075 HFK - 055

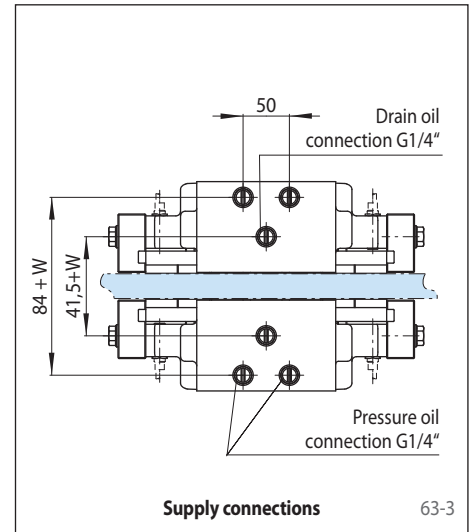
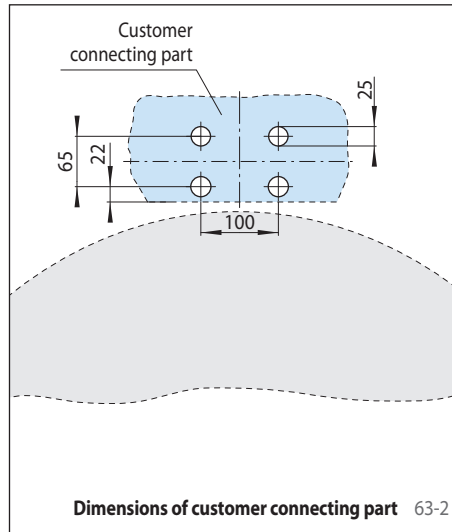
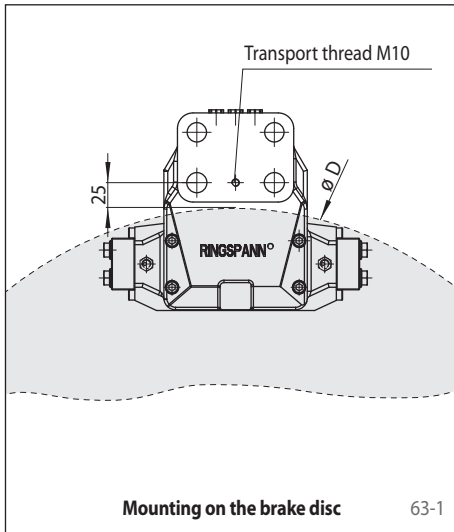


Brake Caliper HW 075 HFK

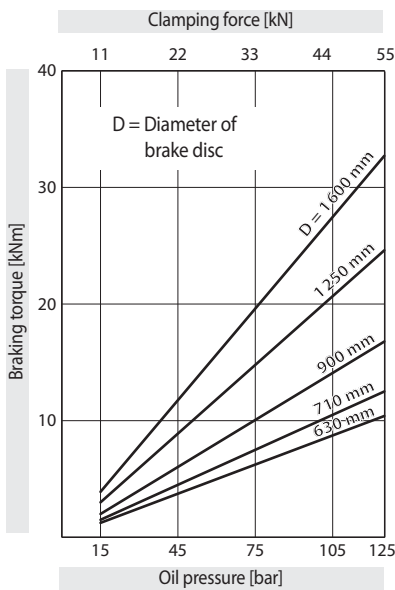
hydraulically activated – spring released



Mounting



Technical Data



The braking torques shown in the diagram are based on a theoretical friction coefficient of 0,4.

Oil pressure: min. 15 bar
max. 125 bar

Oil volume: 57 cm³ per stroke

Weight: ca. 60 kg

Other features

- High safety against leakage
- Easy change of friction blocks
- Painted with surface coating class C4-L according to ISO 12944
- The thickness of the customer connecting part results from the thickness of the brake disc W plus 3 mm

Accessories

- Inductive proximity switch for "brake released" operating status
- Optional painting with surface coating class C4-H or C5M-H (offshore) according to ISO 12944

Any questions? Please contact us.

Morskate Aandrijvingen BV
Oosterveldsingel 47A
7558 PJ Hengelo (Ov)
The Netherlands

NL
T +31 (0)74 - 760 11 11
info@morskateaandrijvingen.nl
www.morskateaandrijvingen.nl

DE
T +49 692 - 222 34 95
info@morskateantriebstechnik.de
www.morskateantriebstechnik.de

EN
T +31 (0)74 - 760 11 11
info@morskatedrivetechnology.com
www.morskatedrivetechnology.com