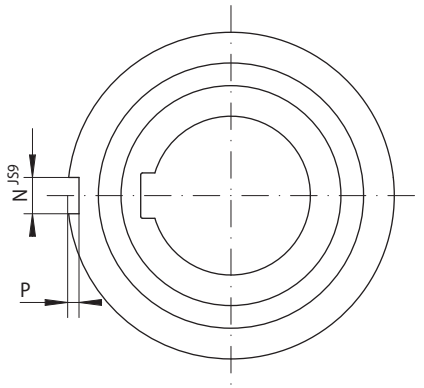
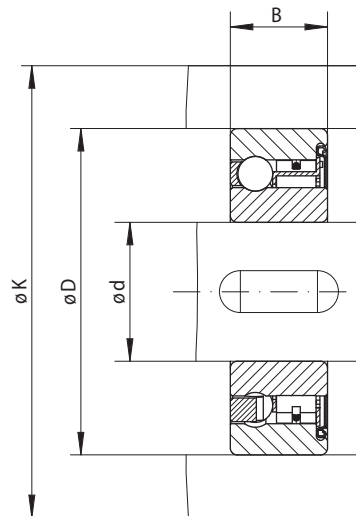


# Internal Freewheels FZ ... PP

for keyway connection on the outer ring  
with sprags and bearing support



7-1



7-2

Indexing Freewheel Overrunning Clutch Backstop	Standard type For universal use	Dimensions

Freewheel Size	Nominal torque $M_N$ Nm	Maximum speed $\text{min}^{-1}$	Load rating of bearing support		Bore $d$ mm	$B^{**}$ mm	$D$ mm	$K$ mm	$N$ mm	$P$ mm	Weight kg
			dynamic $C$ N	static $C_0$ N							
FZ 6202 PP	21	8400	5160	2410	15*	11	35	42	2	0,6	0,06
FZ 6203 PP	32	7350	5650	2860	17*	12	40	51	2	1,0	0,07
FZ 6204 PP	88	6000	6890	4190	20*	14	47	58	3	1,5	0,11
FZ 6205 PP	100	5200	7230	4660	25*	15	52	63	6	2,0	0,14
FZ 6206 PP	230	4200	7730	5660	30*	16	62	73	6	2,0	0,21
FZ 6207 PP	330	3600	8170	6630	35*	17	72	85	8	2,5	0,30
FZ 6208 PP	420	3000	8950	7990	40	22	80	94	10	3,0	0,50

Freewheels with bore diameters highlighted blue in the table are available with short delivery times.

The maximum transmissible torque is 2 times the specified nominal torque. See page 14 catalogue „Freewheels“ for determination of selection torque.

Keyway according to DIN 6885, page 1 • Tolerance of keyway width JS10.

\* Keyway according to DIN 6885, page 3 • Tolerance of keyway width JS10.

\*\* The width of freewheel size FZ 6208 PP is different to the corresponding ball bearing 6208.

## Mounting

The torque is transmitted on the inner and on the outer ring by keyway connection. In order to transmit the torques specified in the table, the outer ring must be accommodated in a housing with an external diameter  $K$ . The housing is made of steel or grey cast iron in minimum quality GG-20. When using other housing materials or smaller external diameters, we urge you to contact us regarding the transmissible torque.

The tolerance of the housing bore  $D$  must be ISO H6 and the tolerance of the shaft must be ISO h6.

The permissible operating temperature of the freewheel is  $-40\text{ °C}$  to  $+80\text{ °C}$ . Please contact us if the temperature is different to the given values.

## Lubrication

The freewheels are supplied grease-filled.

## Example for ordering

Freewheel size FZ 6205 PP, standard type:

- FZ 6205 PP

**Morskate®**



Any questions? Please contact us.

**Morskate Aandrijvingen BV**

Oosterveldsingel 47A  
7558 PJ Hengelo (Ov)  
The Netherlands

NL

T +31 (0)74 - 760 11 11  
info@morskateaandrijvingen.nl  
www.morskateaandrijvingen.nl

DE

T +49 692 - 222 34 95  
info@morskateantriebstechnik.de  
www.morskateantriebstechnik.de

EN

T +31 (0)74 - 760 11 11  
info@morskatedrivetechnology.com  
www.morskatedrivetechnology.com