

### Features

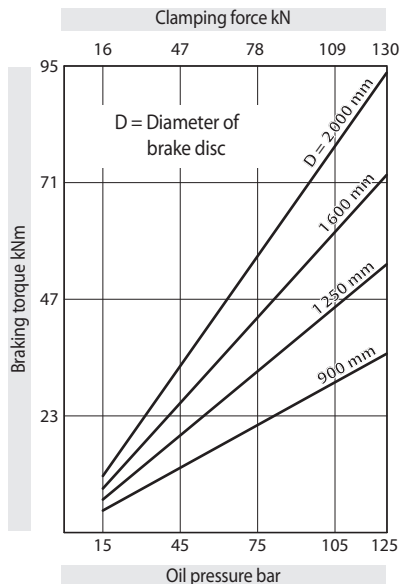
Features	Code
Brake Caliper	H
Floating caliper	S
With piston diameter 120 mm	120
Hydraulically activated	H
Spring released	F
No adjustment to accommodate friction block wear	K
Max. clamping force 130 kN	130

### Example for ordering

Brake Caliper HS 120 HFK,  
max. clamping force 130 kN:

HS 120 HFK - 130

### Technical Data



The braking torques shown in the diagram are based on a theoretical friction coefficient of 0,4.

Oil pressure: min. 15 bar  
max. 125 bar

Oil volume: max. 203 cm<sup>3</sup>

Weight: ca. 195 kg

### Other features

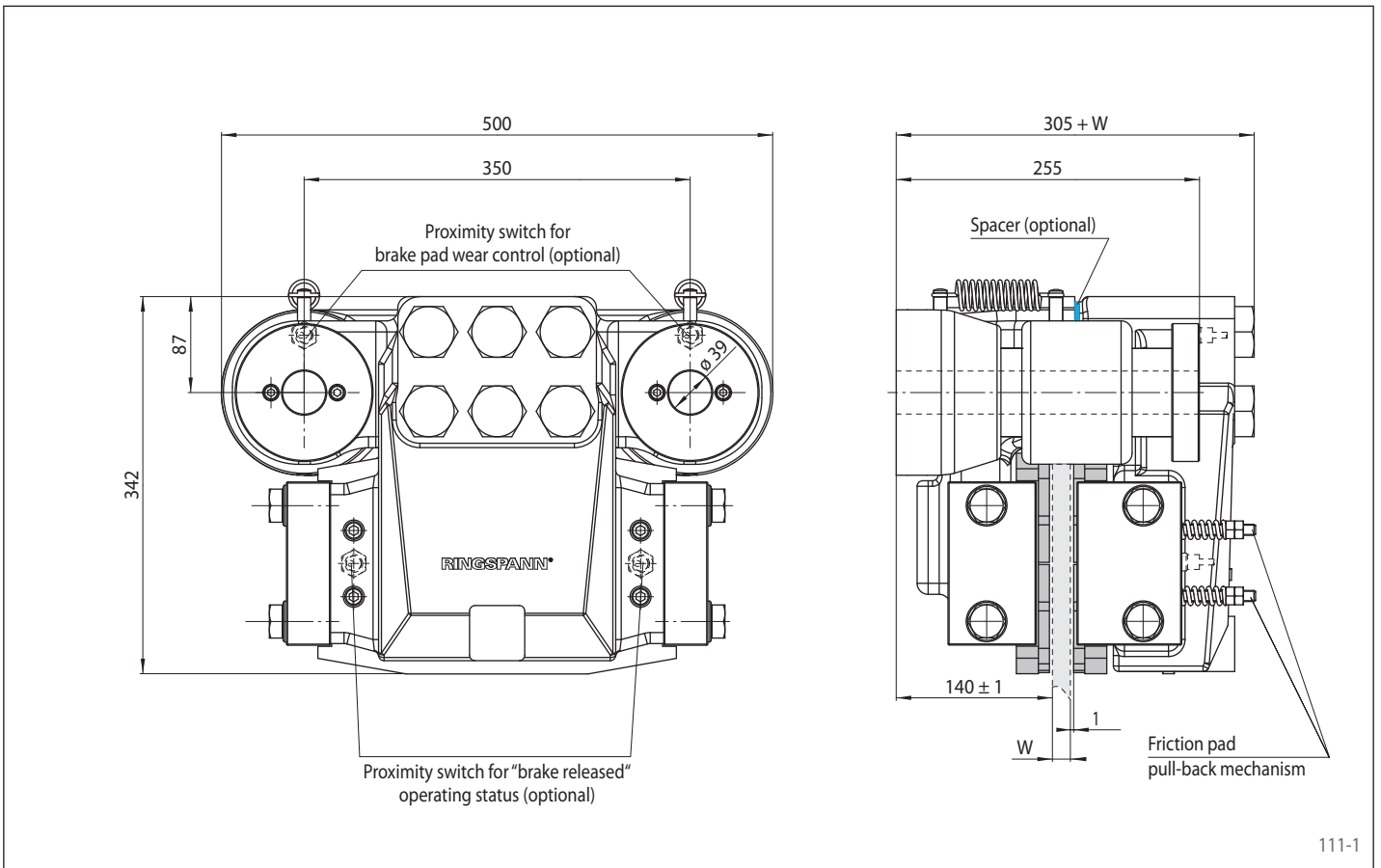
- High safety against leakage
- Easy change of friction blocks
- Painted with surface coating class C4-L according to ISO 12944
- For brake disc thickness  $W = 20$  mm; brake disc thicknesses of up to 40 mm can be achieved with the use of a spacer installed by the customer

### Accessories

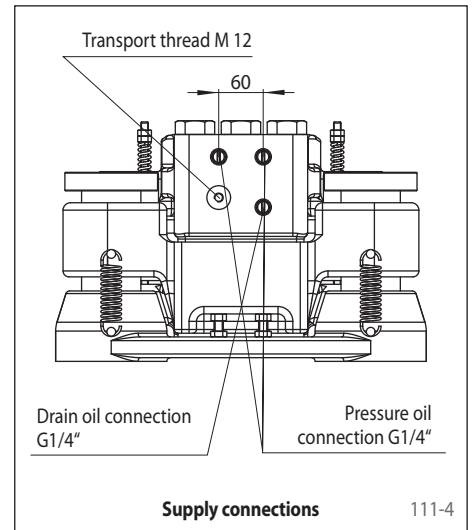
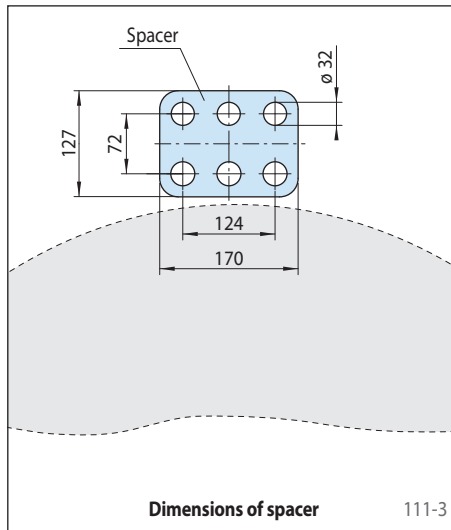
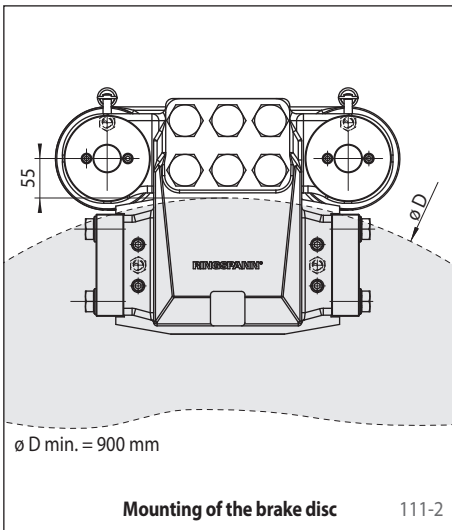
- Inductive proximity switch for "brake released" operating status
- Inductive proximity switch for brake pad wear control
- Optional painting with surface coating class C4-H or C5M-H (offshore) according to ISO 12944

# Brake Caliper HS 120 HFK

hydraulically activated – spring released  
for wind turbines or conveyor systems



## Mounting



Any questions? Please contact us.

### Morskate Aandrijvingen BV

Oosterveldsingel 47A  
7558 PJ Hengelo (Ov)  
The Netherlands

### NL

T +31 (0)74 - 760 11 11  
info@morskateaandrijvingen.nl  
www.morskateaandrijvingen.nl

### DE

T +49 692 - 222 34 95  
info@morskateantriebstechnik.de  
www.morskateantriebstechnik.de

### EN

T +31 (0)74 - 760 11 11  
info@morskatedrivetechnology.com  
www.morskatedrivetechnology.com