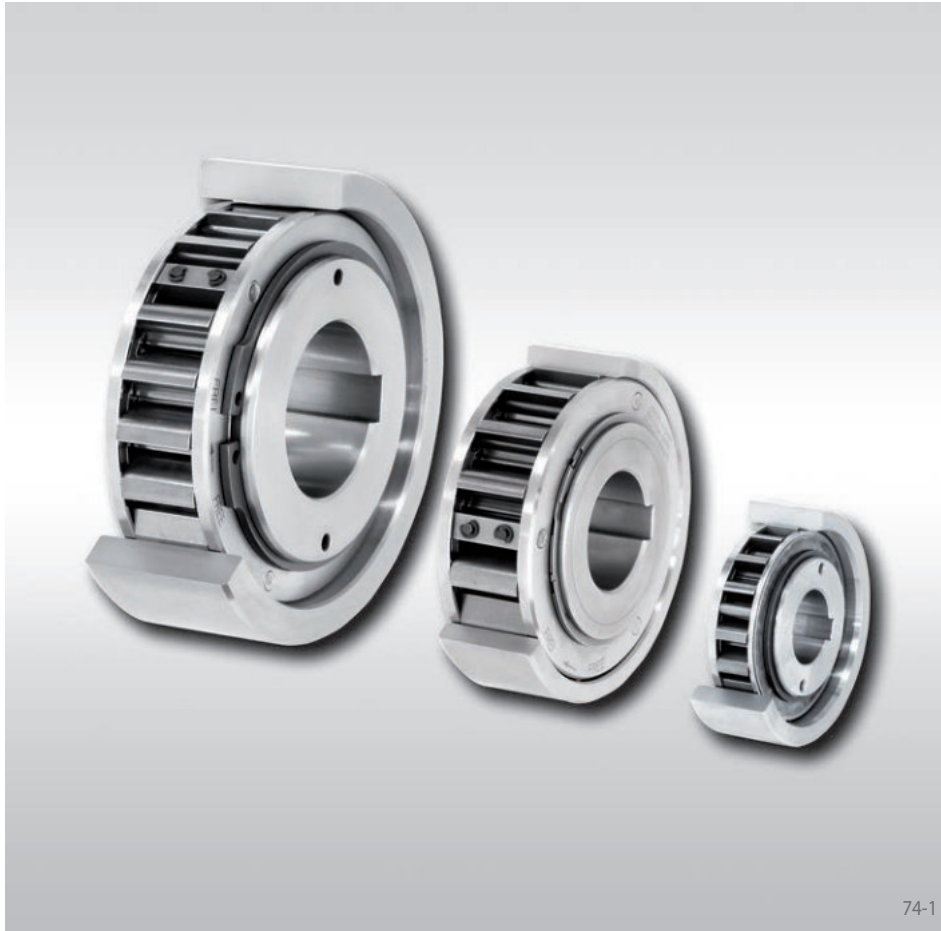


# Internal Freewheels FXN

for press fit on the outer ring  
with sprag lift-off X



## Application as

- ▶ Backstop
- ▶ Overrunning Clutch

For application as backstop in installations with high speeds in freewheeling operation.

For application as overrunning clutch in installations with low speeds in driving operation.

## Features

Internal Freewheels FXN are sprag freewheels without bearing support and with sprag lift-off X. The sprag lift-off X ensures a wear-free free-wheeling operation when the inner ring rotates at high speed.

The outer ring is pressed into the customer housing. This makes compact, space-saving fitting solutions possible.

Nominal torques up to 20 500 Nm. The torque is transmitted on the outer ring by press fit.

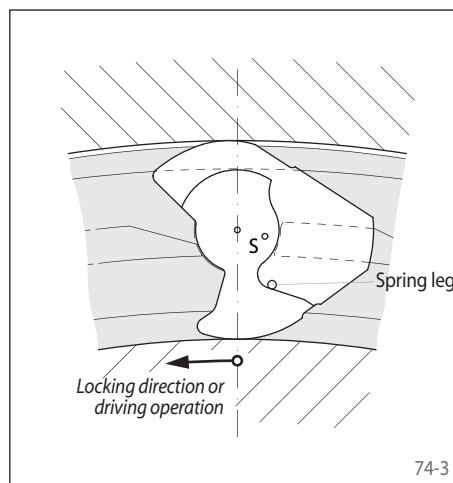
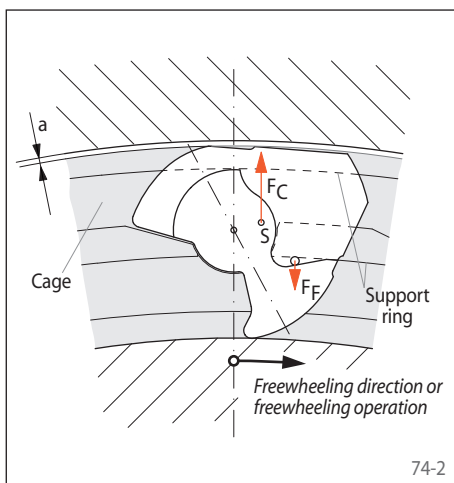
Bores up to 130 mm. A multitude of standardized bore diameters are available with short delivery times.

## Sprag lift-off X

Internal Freewheels FXN are equipped with sprag lift-off X. The sprag lift-off X is used for backstops and overrunning clutches, provided that in freewheeling operation the inner ring is rotating at high speed and providing with overrunning clutches that the driving operation is conducted at low speed. In freewheeling operation, the centrifugal force  $F_C$  causes the sprag to lift off from the outer track. In this operating state, the freewheel works wear-free, i.e. with unlimited service life.

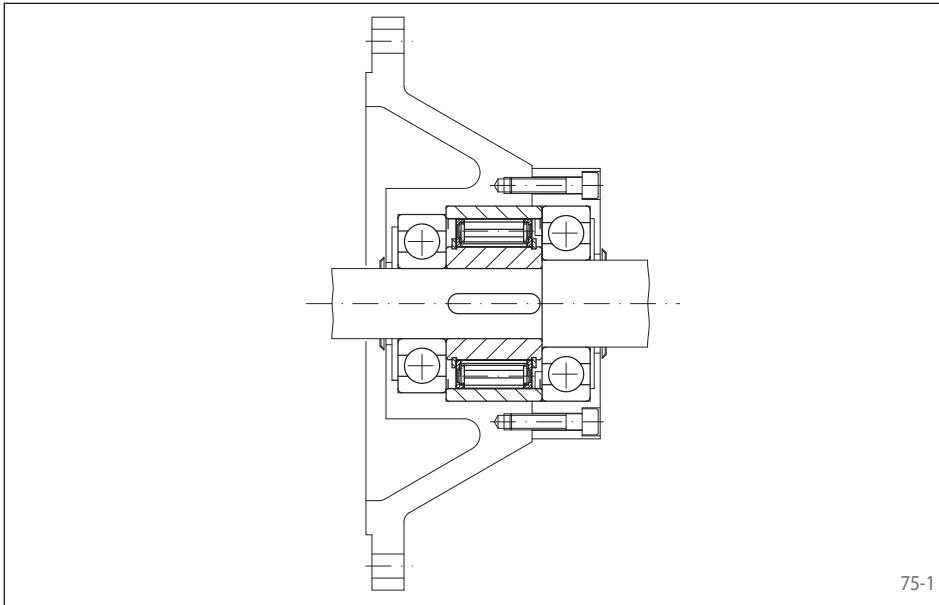
Figure 74-2 shows a freewheel with sprag lift-off X in freewheeling operation. The sprags, which are supported in a cage connected with the inner ring, rotate with the inner ring. The centrifugal force  $F_C$  that is applied in the center of gravity  $S$  of the sprag turns the sprag counterclockwise and rests against the support ring of the cage. This results in the gap  $a$  between the sprag and the outer track; the freewheel works without contact. If the inner ring speed decreases to such an extent that the effect of

the centrifugal force on the sprag is less than that of the spring force  $F_F$ , the sprag again rests on the outer ring and the freewheel is ready to lock (figure 74-3). If used as an overrunning clutch, the driving speed must not exceed 40% of the lift-off speed.



# Internal Freewheels FXN

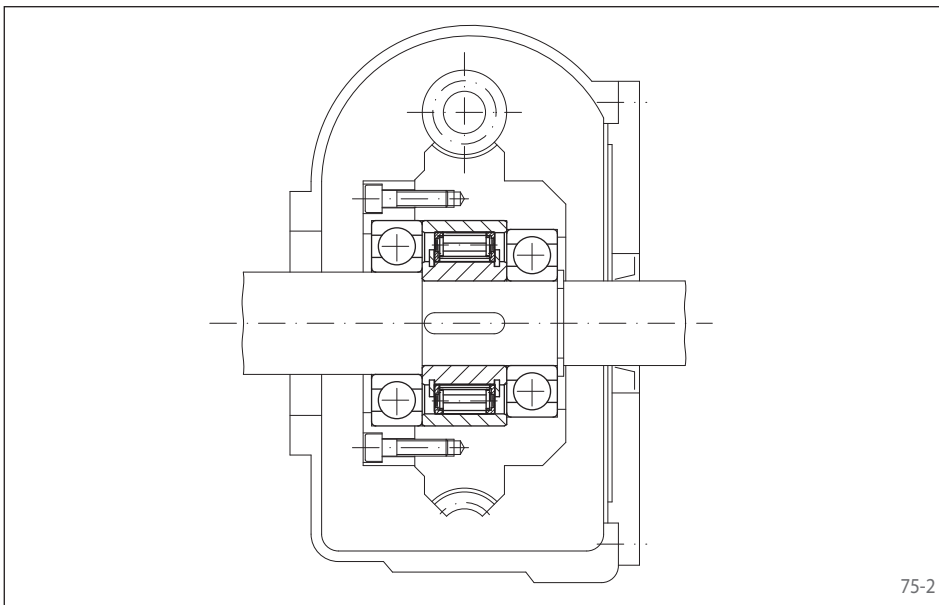
for press fit on the outer ring  
with sprag lift-off X



75-1

## Application example

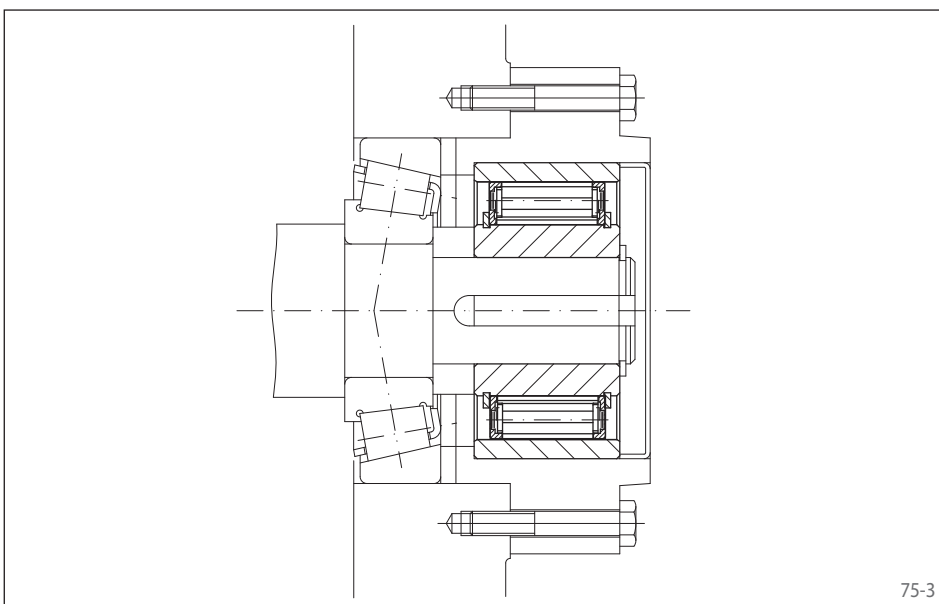
Internal Freewheel FXN 38 - 17/70 NX as a back-stop, arranged in a housing adapter to attach to an electric motor. The thin outer ring that is pressed into the housing enables a space-efficient fitting solution. Due to the high shaft speeds in normal operation (freewheeling operation), the sprag lift-off X ensures a contactless and hence wear-free continuous operation.



75-2

## Application example

Internal Freewheel FXN 66-25/100 NX as an overrunning clutch in the creep drive of a textile machine. The freewheel installation is compactly solved by means of the thin outer ring that is pressed into the worm wheel. During set-up, the machine is driven by the worm gear and the freewheel that is working in driving operation. In normal operation (freewheeling operation), the inner ring that is located on the high speed main drive shaft overruns and automatically disengages the creep drive. With the high overrunning speed of the inner ring, the type with sprag lift-off X is used; the sprags work in freewheeling operation without contact and hence are wear-free.



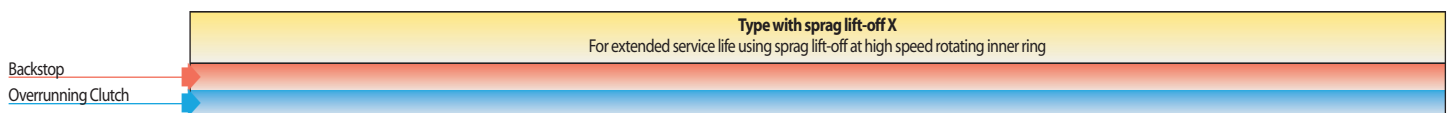
75-3

## Application example

Internal Freewheel FXN 85-40/140 MX as a backstop fitted to the end of the first intermediate shaft of a spur gearbox in the drive of an inclined conveyor belt. In the case of a motor stop the conveyor belt must be held securely so that the conveyor goods do not pull the belt backwards and possibly cause serious damage. Due to the high shaft speeds in normal operation (freewheeling operation), the sprag lift-off X ensures a contactless and hence wear-free continuous operation.

# Internal Freewheels FXN

for press fit on the outer ring  
with sprag lift-off X



Freewheel Size	Type	Nominal torque at existing run out T.I.R.						Sprag lift-off at inner ring speed min <sup>-1</sup>	Max. speed	
		Theoretical Nominal torque ↗ 0 A Nm	↗ 0,1 A Nm	↗ 0,2 A Nm	↗ 0,3 A Nm	↗ 0,4 A Nm	↗ 0,5 A Nm		Inner ring freewheels/ overruns min <sup>-1</sup>	Outer ring drives min <sup>-1</sup>
FXN 31 - 17/60	NX	110	110	105	100			890	5 000	356
FXN 31 - 17/62	NX	110	110	105	100			890	5 000	356
FXN 38 - 17/70	NX	180	170	160	150			860	5 000	224
FXN 46 - 25/80	NX	460	450	440	430			820	5 000	328
FXN 51 - 25/85	NX	560	550	540	530			750	5 000	300
FXN 56 - 25/90	NX	660	650	640	630			730	5 000	292
FXN 61 - 19/95	NX	520	500	480	460			750	5 000	300
FXN 61 - 19/106	NX	520	500	480	460			750	5 000	300
FXN 66 - 25/100	NX	950	930	910	890			700	5 000	280
FXN 66 - 25/110	NX	950	930	910	890			700	5 000	280
FXN 76 - 25/115	NX	1 200	1 170	1 140	1 110			670	5 000	268
FXN 76 - 25/120	NX	1 200	1 170	1 140	1 110			670	5 000	268
FXN 86 - 25/125	NX	1 600	1 550	1 500	1 450			630	5 000	252
FXN 86 - 25/130	NX	1 600	1 550	1 500	1 450			630	5 000	252
FXN 101 - 25/140	NX	2 100	2 050	2 000	1 950			610	5 000	244
FXN 101 - 25/150	NX	2 100	2 050	2 000	1 950			610	5 000	244
FXN 85 - 40/140	MX	2 500	2 500	2 450	2 450	2 450	2 450	430	6 000	172
FXN 85 - 40/150	MX	2 500	2 500	2 450	2 450	2 450	2 450	430	6 000	172
FXN 100 - 40/160	MX	3 700	3 600	3 600	3 500	3 500	3 500	400	4 500	160
FXN 105 - 50/165	MX	5 200	5 200	5 100	5 000	5 000	5 000	380	4 500	152
FXN 120 - 50/198	MX	7 700	7 600	7 500	7 300	7 300	7 300	320	4 000	128
FXN 140 - 50/215	MX	10 100	10 000	9 800	9 600	9 500	9 500	320	3 000	128
FXN 170 - 63/258	MX	20 500	20 500	20 000	19 500	19 000	19 000	250	2 700	100

The maximum transmissible torque is 2 times the specified nominal torque. See page 14 for determination of selection torque.  
The theoretical nominal torque applies only for ideal concentricity between the inner and outer ring. In practice, the concentricity is affected by the bearing play and centering errors of the neighbouring parts. Then the nominal torques specified in the table apply, whilst taking into consideration the existing run out (T.I.R.).  
Higher speeds upon request.

## Mounting

Internal Freewheels FXN are without bearing support. Concentric alignment of inner and outer ring must be provided by the customer. The permissible run out (T.I.R.) must be observed.

The torque is transmitted on the outer ring by press fit. In order to transmit the torques speci-

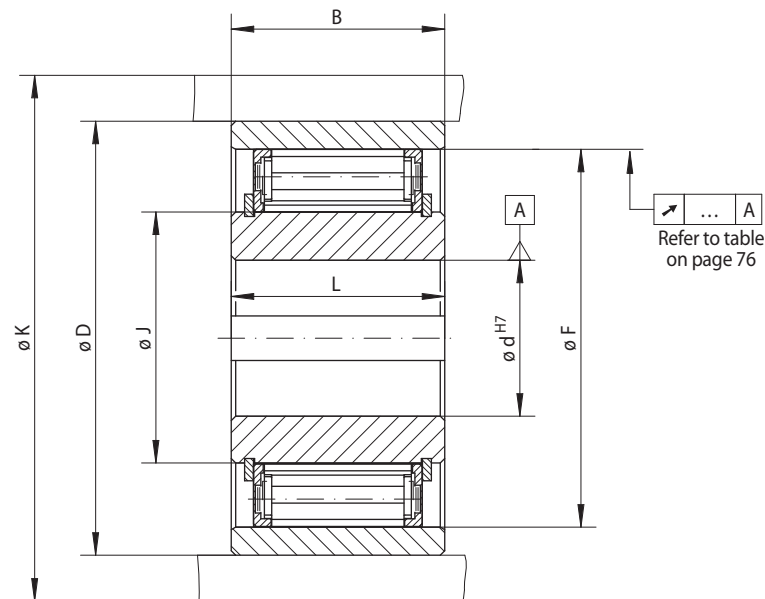
fied in the table, the outer ring must be accommodated in a housing with an external diameter K. The housing is made of steel or grey cast iron in minimum quality GG-20. When using other housing materials or smaller external diameters, we urge you to contact us regarding the transmissible torque.

The tolerance of the housing bore is specified in the table under dimension D.

The tolerance of the shaft must be ISO h6 or j6.

# Internal Freewheels FXN

for press fit on the outer ring  
with sprag lift-off X



77-1

Freewheel size	Type	Bore d			B mm	D mm	F mm	J mm	K min. mm	L mm	Weight kg
		Standard mm	mm	max. mm							
FXN 31 - 17/60	NX	20*		20*	25	60 P6	55	31	85	24	0,3
FXN 31 - 17/62	NX	20*		20*	25	62 P6	55	31	85	24	0,4
FXN 38 - 17/70	NX	25*		25*	25	70 P6	62	38	90	24	0,4
FXN 46 - 25/80	NX	30		30	35	80 P6	70	46	95	35	0,8
FXN 51 - 25/85	NX	35		36	35	85 P6	75	51	105	35	0,8
FXN 56 - 25/90	NX	35	40	40	35	90 P6	80	56	110	35	0,9
FXN 61 - 19/95	NX	35	40	45*	26	95 P6	85	61	120	25	0,8
FXN 61 - 19/106	NX	35	40	45*	25	106 H7	85	61	120	25	1,2
FXN 66 - 25/100	NX	40	45	48	30	100 P6	90	66	132	35	1,1
FXN 66 - 25/110	NX	40	45	48	40	110 P6	90	66	132	35	1,8
FXN 76 - 25/115	NX	50	55	60*	40	115 P6	100	76	140	35	1,7
FXN 76 - 25/120	NX	50	55	60*	32	120 J6	100	76	140	35	1,8
FXN 86 - 25/125	NX	50	60	70	40	125 P6	110	86	150	40	2,3
FXN 86 - 25/130	NX	50	60	70	40	130 P6	110	86	150	40	2,6
FXN 101 - 25/140	NX	75		80*	45	140 P6	125	101	175	50	3,1
FXN 101 - 25/150	NX	75		80*	45	150 P6	125	101	175	50	3,6
FXN 85 - 40/140	MX	60		65	45	140 P6	125	85	175	60	3,2
FXN 85 - 40/150	MX	60		65	45	150 P6	125	85	175	60	4,2
FXN 100 - 40/160	MX	70		80*	50	160 P6	140	100	190	60	5,1
FXN 105 - 50/165	MX	80		85	62	165 P6	145	105	195	62	5,8
FXN 120 - 50/198	MX	80		95	70	198 H6	160	120	210	70	8,6
FXN 140 - 50/215	MX	90		110	69	215 J6	180	140	245	70	14,0
FXN 170 - 63/258	MX	100		130	80	258 H6	210	170	290	80	21,0

■ Freewheels with bore diameters highlighted blue in the table are available with short delivery times.

Keyway according to DIN 6885, page 1 • Tolerance of keyway width JS10.

\* Keyway according to DIN 6885, page 3 • Tolerance of keyway width JS10.

## Lubrication

At speeds in excess of the sprag lift-off speed, no special lubrication is required; the freewheel functions maintenance-free.

When operating below the sprag lift-off speed, an oil lubrication of the specified quality must be provided.

## Example for ordering

Freewheel size FXN 61 - 19/95, type with sprag lift-off X and 35 mm bore:

- FXN 61-19/95 NX, d = 35 mm

**Morskate®**



Any questions? Please contact us.

**Morskate Aandrijvingen BV**

Oosterveldsingel 47A  
7558 PJ Hengelo (Ov)  
The Netherlands

NL

T +31 (0)74 - 760 11 11  
info@morskateaandrijvingen.nl  
www.morskateaandrijvingen.nl

DE

T +49 692 - 222 34 95  
info@morskateantriebstechnik.de  
www.morskateantriebstechnik.de

EN

T +31 (0)74 - 760 11 11  
info@morskatedrivetechnology.com  
www.morskatedrivetechnology.com