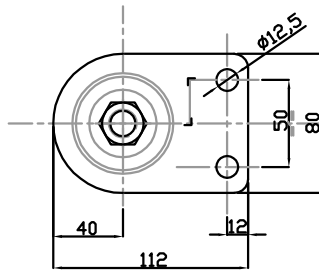
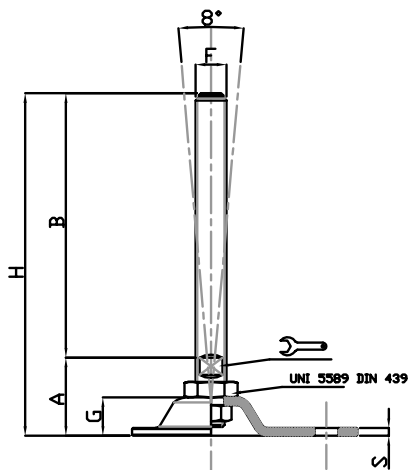

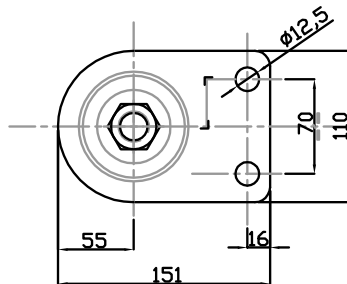
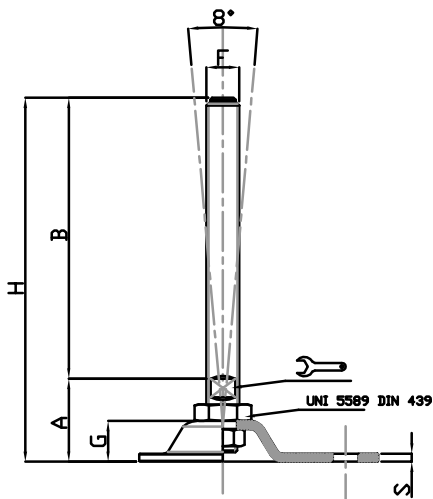



BASE STAMPATA INOX Ø80 X 112 CON 2 FORI
STAINLESS STEEL PRESSED BASE Ø80 X 112 WITH 2 FIXING HOLES



CODICE - CODE	descrizione description	DIMENSIONI PRINCIPALI - MAIN DIMENSIONS							CARICO STATICO STATIC LOAD NEWTON
		S	B	A		F	G	H	
15730/FIX	M16X150	3	150	39.5	13	M16	19	189.5	20000
15732/FIX	M16X200	3	200	39.5	13	M16	19	239.5	20000
15734/FIX	M20X150	3	150	40.5	17	M20	19	190.5	20000
15736/FIX	M20X200	3	200	40.5	17	M20	19	240.5	20000

BASE STAMPATA INOX Ø110 X 151 CON 2 FORI
STAINLESS STEEL PRESSED BASE Ø110 X 151 WITH 2 FIXING HOLES



CODICE - CODE	descrizione description	DIMENSIONI PRINCIPALI - MAIN DIMENSIONS							CARICO STATICO STATIC LOAD NEWTON
		S	B	A		F	G	H	
15740/FIX	M16X150	4	150	41	17	M16	19	191	25000
15742/FIX	M16X200	4	200	41	17	M16	19	241	25000
15744/FIX	M20X150	4	150	42	17	M20	19	192	25000
15746/FIX	M20X200	4	200	42	17	M20	19	242	25000
15748/FIX	M24X150	4	150	43	20	M24	19	193	30000
15750/FIX	M24X200	4	200	43	20	M24	19	243	30000

▪ Material: stainless steel base 1.4301. Stainless steel screw 1.4301. The levelling element could be supplied with steel

Any questions? Please contact us.