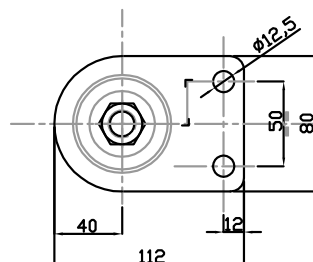
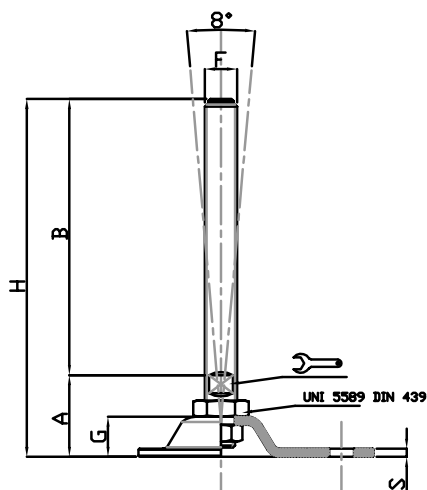
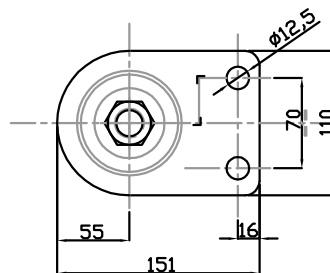
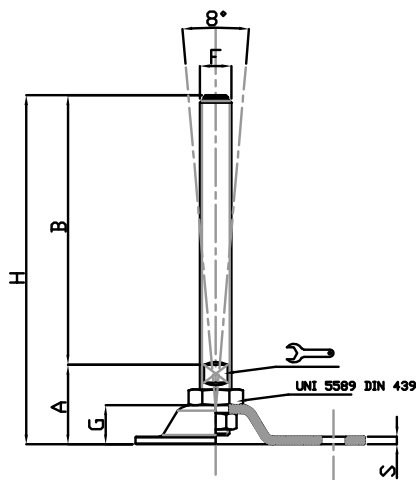


**BASE STAMPATA ZINCATA Ø80 X 112 CON 2 FORI**  
**GALVANIZED STEEL PRESSED BASE Ø80 X 112 WITH 2 FIXING HOLES**



CODICE - CODE	descrizione description	DIMENSIONI PRINCIPALI - MAIN DIMENSIONS							CARICO STATICO STATIC LOAD NEWTON
		S	B	A	🔧	F	G	H	
15660Z/FIX	M16X150	3	150	39.5	13	M16	19	189.5	20000
15662Z/FIX	M16X200	3	200	39.5	13	M16	19	239.5	20000
15664Z/FIX	M20X150	3	150	40.5	17	M20	19	190.5	20000
15666Z/FIX	M20X200	3	200	40.5	17	M20	19	240.5	20000

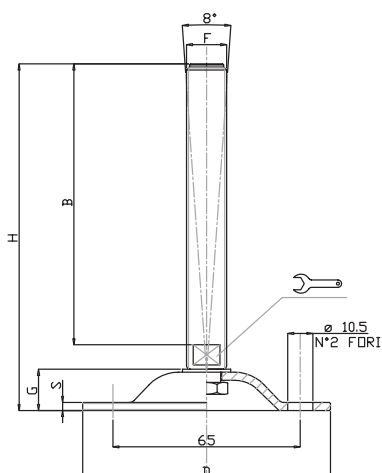
**BASE STAMPATA ZINCATA Ø110 X 151 CON 2 FORI**  
**GALVANIZED STEEL PRESSED BASE Ø110 X 151 WITH 2 FIXING HOLES**




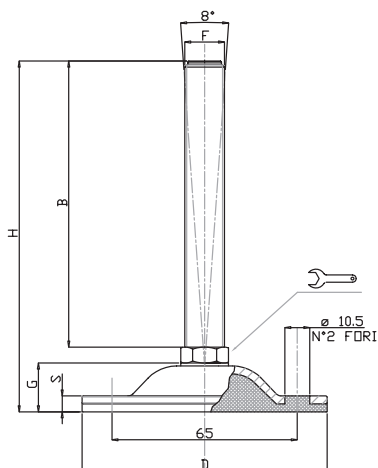
CODICE - CODE	descrizione description	DIMENSIONI PRINCIPALI - MAIN DIMENSIONS							CARICO STATICO STATIC LOAD NEWTON
		S	B	A	🔧	F	G	H	
15670Z/FIX	M16X150	4	150	41	17	M16	19	191	25000
15672Z/FIX	M16X200	4	200	41	17	M16	19	241	25000
15674Z/FIX	M20X150	4	150	42	17	M20	19	192	25000
15678Z/FIX	M20X200	4	200	42	17	M20	19	242	25000
15680Z/FIX	M24X150	4	150	43	20	M24	19	193	30000
15682Z/FIX	M24X200	4	200	43	20	M24	19	243	30000


▪ Material: pressed base in galvanized steel. Galvanized steel screw. The levelling element could be supplied with steel nut.

**BASE STAMPATA ZINCATA Ø85 – STELO ARTICOLATO 8°**  
**GALVANIZED STEEL PRESSED BASE Ø85 – 8° ARTICULATED SCREW**



CODICE - CODE	descrizione description	DIMENSIONI PRINCIPALI - MAIN DIMENSIONS							CARICO STATICO STATIC LOAD NEWTON
		S	B	D		F	G	H	
15828	M16X100	3	100	85	13	M16	13	125	15000
15830	M16X150	3	150	85	13	M16	13	175	15000
15832	M16X175	3	175	85	13	M16	13	200	15000
15834	M20X100	3	100	85	17	M20	13	125	15000
15836	M20X150	3	150	85	17	M20	13	175	15000
15838	M20X200	3	200	85	17	M20	13	225	15000



CODICE - CODE	descrizione description	DIMENSIONI PRINCIPALI - MAIN DIMENSIONS							CARICO STATICO STATIC LOAD NEWTON
		S	B	D		F	G	H	
15828/V	M16X100	3	100	85	16	M16	16	124	15000
15830/V	M16X150	3	150	85	16	M16	16	174	15000
15832/V	M16X175	3	175	85	16	M16	16	199	15000
15834/V	M20X100	3	100	85	20	M20	16	126	15000
15836/V	M20X150	3	150	85	20	M20	16	176	15000
15838/V	M20X200	3	200	85	20	M20	16	226	15000

- Material: pressed base in galvanized steel. Galvanized steel screw. The levelling element could be supplied with steel nut.
- Vulcanized rubber pad NBR 80 shore