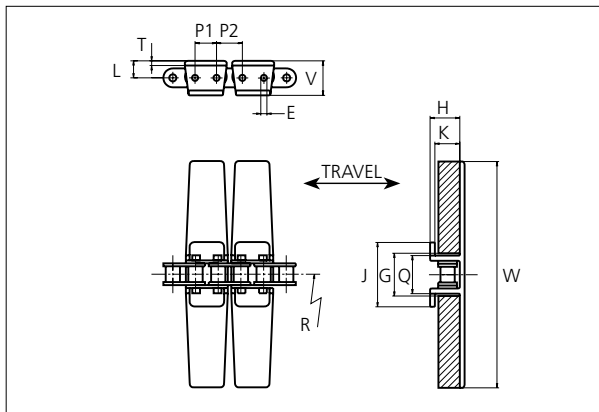


Snap-On Plastic Chain

Series **uni 1873** Type -



Snap-On Plastic Chain

Side flexing chain
 Pitch: 19.1 mm (0.75 in)
 Backflex radius: 150.0 mm (5.90 in)
 Permissible tensile strength:
 uni 1873 with (SS304) stainless steel chain: 2000 N (450 lbf)
 uni 1873 with carbon steel chain: 4000 N (900 lbf)

Delivery:
 3.048 m (10 ft)
 No. of links/box: 160
 No. of flights/box: 80

E		G		H		J		K		L		P1		P2		Q		T		V	
mm	in	mm	in	mm	in	mm	in	mm	in	mm	in	mm	in	mm	in	mm	in	mm	in	mm	in
5.1	0.20	34.9	1.37	25.0	0.98	54.5	2.15	21.0	0.83	14.3	0.56	18.1	0.71	20.1	0.79	31.8	1.25	4.0	0.16	29.0	1.14

All dimensions are for chains in POM material.

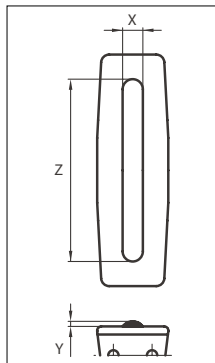
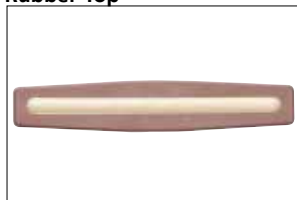
All Snap-On versions can be delivered either with a stainless steel chain (SS304) or a carbon steel chain.

	Width (W)		Flight material & color	Chain material	Weight		Min. radius R	
	mm	in			kg/m	lb/ft	mm	in
K225	57.2	2.25	-	-	-	-	-	-
K250	63.5	2.50	-	-	-	-	-	-
K325	82.6	3.25	POM-LFI BR	SS304 or Carbon steel	2.1	1.41	356.0	14.02
K450	114.3	4.50	POM-DI G	SS304 or Carbon steel	2.3	1.55	356.0	14.02
K600	152.4	6.00	-	-	-	-	-	-
K750	190.5	7.50	-	-	-	-	-	-
K1000	254.0	10.00	-	-	-	-	-	-
K1200	304.8	12.00	POM-LFI BR	SS304 or Carbon steel	3.0	2.02	457.0	17.99

Non standard material and color: See uni Material and Color Overview.

Accessories

Rubber Top



When ordering, please state the required distance between the Rubber Top.

Other Non Standard rubber profiles:
 See uni Rubber Profile Overview.

Width	Link material	Rubber material	Z		X		Y	
			mm	in	mm	in	mm	in
K325	POM-LFI BR	05 I	60.0	2.36	10.0	0.39	2.5	0.10
K450	POM-DI G	05 I	90.0	3.54	10.0	0.39	2.5	0.10
K1200	POM-LFI BR	05 I	295.0	11.61	8.0	0.31	2.5	0.10

Any questions? Please contact us.

Morskate Aandrijvingen BV
 Oosterveldsingel 47A
 7558 PJ Hengelo (Ov)
 The Netherlands

NL
 T +31 (0)74 - 760 11 11
 info@morskateaandrijvingen.nl
 www.morskateaandrijvingen.nl

DE
 T +49 692 - 222 34 95
 info@morskateantriebstechnik.de
 www.morskateantriebstechnik.de

EN
 T +31 (0)74 - 760 11 11
 info@morskatedrivetechnology.com
 www.morskatedrivetechnology.com

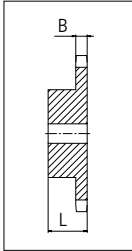
STANDARD

SIDE FLEXING

PITCH 19.1 MM/0.75 IN

Sprocket

No of teeth	Pitch diameter		Hub diameter		Overall width L		Tooth width B		Bore		Machined S1045
	mm	in	mm	in	mm	in	mm	in	mm	in	
Z19	115.7	4.56	80.0	3.15	35.0	1.38	11.7	0.46	16.0	0.63	x
Z20	121.8	4.79	80.0	3.15	35.0	1.38	11.7	0.46	16.0	0.63	x
Z25	152.0	5.98	90.0	3.54	40.0	1.57	11.7	0.46	20.0	0.79	x



Please ensure that sufficient size shaft and keyway are chosen for corresponding load.

Non standard material and color:
See uni Material and Color Overview.

Other sprocket sizes are available upon request.
uni Retainer Rings: See uni Retainer Ring data sheet.

Any questions? Please contact us.