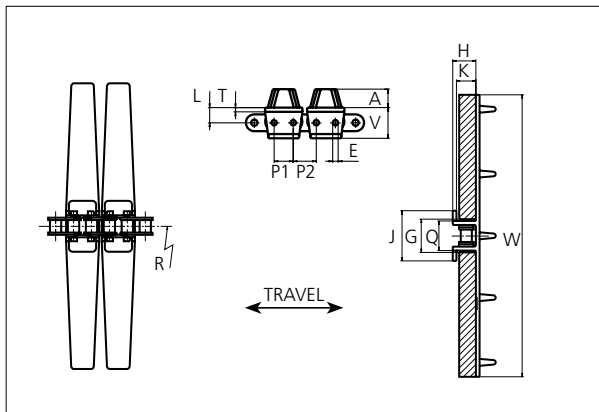


Snap-On Plastic Chain

Series **uni 1873** Type **SE**



Snap-On Plastic Chain

Side flexing chain
 Pitch: 19.1 mm (0.75 in)
 Backflex radius: 150.0 mm (5.90 in)
 Permissible tensile strength:
 uni 1873 SE with (SS304) stainless steel chain: 2000 N (450 lbf)
 uni 1873 SE with carbon steel chain: 4000 N (900 lbf)

Delivery:
 3.048 m (10 ft)
 No. of links/box: 160
 No. of flights/box: 80

A		E		G		H		J		K	
mm	in	mm	in	mm	in	mm	in	mm	in	mm	in
14.4	2.14	5.1	0.20	34.9	1.37	25.0	0.98	54.4	2.14	21.0	0.83
L		P1		P2		Q		T		V	
mm	in	mm	in	mm	in	mm	in	mm	in	mm	in
14.3	0.56	18.1	0.71	20.1	0.79	31.8	1.25	4.0	0.16	29.0	1.14

All dimensions are for chains in POM material.

All Snap-On versions can be delivered either with a stainless steel chain (SS304) or a carbon steel chain.

	Width (W)		Recommended flight material & color	Recommended chain material	Weight		Min. radius R	
	mm	in			kg/m	lb/ft	mm	in
K1200	304.8	12.00	POM-DI W	Carbon steel	3.5	2.35	457.0	17.99
K1200	304.8	12.00	POM-DI G	SS304 or Carbon steel	3.5	2.35	457.0	17.99

Non standard material and color: See uni Material and Color Overview.

NON STANDARD

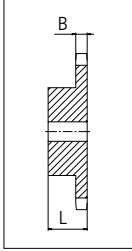
SIDE FLEXING

PITCH 19.1 MM/0.75 IN

Any questions? Please contact us.

Sprocket

No of teeth	Pitch diameter		Hub diameter		Overall width L		Tooth width B		Bore		Machined S1045
	mm	in	mm	in	mm	in	mm	in	mm	in	
Z19	115.7	4.56	80.0	3.15	35.0	1.38	11.7	0.46	16.0	0.63	x
Z20	121.8	4.79	80.0	3.15	35.0	1.38	11.7	0.46	16.0	0.63	x
Z25	152.0	5.98	90.0	3.54	40.0	1.57	11.7	0.46	20.0	0.79	x



Please ensure that sufficient size shaft and keyway are chosen for corresponding load.

Non standard material and color:
See uni Material and Color Overview.

Other sprocket sizes are available upon request.
uni Retainer Rings: See uni Retainer Ring data sheet.

Any questions? Please contact us.