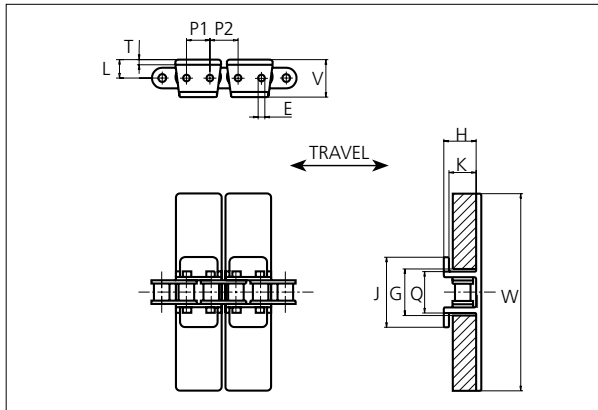


## Snap-On Plastic Chain

Series **uni 1873** Type **ST**



**Snap-On Plastic Chain**  
 Straight running chain  
 Pitch: 19.1 mm (0.75 in)  
 Backflex radius: 150.0 mm (5.90 in)  
 Permissible tensile strength:  
 uni 1873 ST with (SS304) stainless steel chain: 2000 N (450 lbf)  
 uni 1873 ST with carbon steel chain: 4000 N (950 lbf)  
 Delivery:  
 3.048 m (10 ft)  
 No. of links/box: 160  
 No. of flights/box: 80

NON STANDARD

E		G		H		J		L		P1		P2		Q		T		V	
mm	in	mm	in	mm	in	mm	in	mm	in	mm	in	mm	in	mm	in	mm	in	mm	in
5.1	0.20	34.9	1.37	25.0	0.98	54.4	2.14	14.3	0.56	18.1	0.71	20.1	0.79	31.8	1.25	4.0	0.16	29.0	1.14

All dimensions are for chains in POM material.

All Snap-On versions can be delivered either with a stainless steel chain (SS304) or a carbon steel chain.

	Width (W)		Recommended flight material & color	Recommended chain material	Weight	
	mm	in			kg/m	lb/ft
<b>K325</b>	82.6	3.25	POM-D <b>G</b> POM-LFI <b>BR</b>	<b>SS304</b> or <b>Carbon steel</b>	-	-
<b>K450</b>	114.3	4.50	POM-D <b>G</b> POM-LFI <b>BR</b>	<b>SS304</b> or <b>Carbon steel</b>	-	-
<b>K600</b>	152.4	6.00	POM-D <b>G</b> POM-LFI <b>BR</b>	<b>SS304</b> or <b>Carbon steel</b>	-	-

Non standard material and color: See uni Material and Color Overview.

STRAIGHT RUNNING

PITCH 19.1 MM/0.75 IN

Any questions? Please contact us.

**Morskate Aandrijvingen BV**  
 Oosterveldsingel 47A  
 7558 PJ Hengelo (Ov)  
 The Netherlands

**NL**  
 T +31 (0)74 - 760 11 11  
 info@morskateaanrijvingen.nl  
 www.morskateaanrijvingen.nl

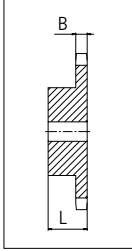
**DE**  
 T +49 692 - 222 34 95  
 info@morskateantriebstechnik.de  
 www.morskateantriebstechnik.de

**EN**  
 T +31 (0)74 - 760 11 11  
 info@morskatedrivetechnology.com  
 www.morskatedrivetechnology.com

## Sprocket

No of teeth	Pitch diameter		Hub diameter		Overall width L		Tooth width B		Bore		Machined S1045
	mm	in	mm	in	mm	in	mm	in	mm	in	
<b>Z19</b>	115.7	4.56	80.0	3.15	35.0	1.38	11.7	0.46	16.0	0.63	x
<b>Z20</b>	121.8	4.79	80.0	3.15	35.0	1.38	11.7	0.46	16.0	0.63	x
<b>Z25</b>	152.0	5.98	90.0	3.54	40.0	1.57	11.7	0.46	20.0	0.79	x

Non standard material and color:  
See uni Material and Color Overview.



**Please ensure that sufficient size shaft and keyway are chosen for corresponding load.**

Other sprocket sizes are available upon request.  
uni Retainer Rings: See uni Retainer Ring data sheet.

Any questions? Please contact us.