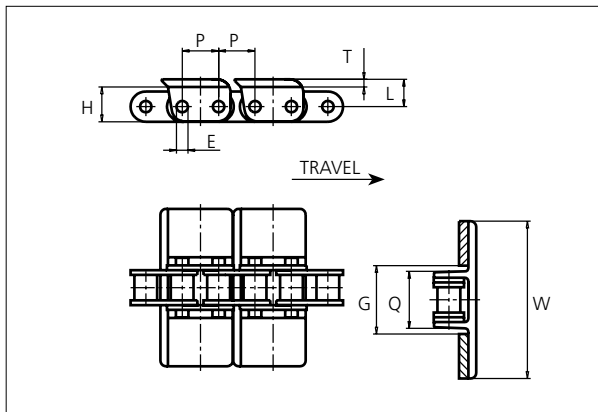


Snap-On Plastic Chain

Series **uni 863** Type -



Snap-On Plastic Chain
 Straight running chain
 Pitch: 19.1 mm (0.75 in)
 Backflex radius: 150.0 mm (5.90 in)
 Permissible tensile strength:
 uni 863 with (SS304) stainless steel chain: 2700 N (600 lbf)
 uni 863 with carbon steel chain: 5500 N (1200 lbf)
 Delivery:
 3.048 m (10 ft)
 No. of links/box: 160
 No. of flights/box: 80

E		G		H		L		P		Q		T	
mm	in	mm	in	mm	in	mm	in	mm	in	mm	in	mm	in
6.0	0.24	36.5	1.44	18.6	0.73	14.3	0.56	19.1	0.75	30.5	1.20	4.0	0.16

All dimensions are for chains in POM material.

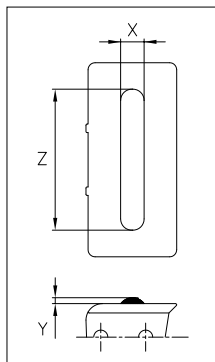
All Snap-On versions can be delivered either with a stainless steel chain (SS304) or a carbon steel chain.

	Width (W)		Flight material & color	Chain material	Weight	
	mm	in			kg/m	lb/ft
K175	44.5	1.75	-	-	-	-
K250	63.5	2.50	-	-	-	-
K325	82.6	3.25	POM-DI G	SS304 or Carbon steel	2.1	1.41
K450	114.3	4.50	POM-LFI BR	SS304 or Carbon steel	2.3	1.55
K600	152.4	6.00	-	-	-	-
K750	190.5	7.50	-	-	-	-

Non standard material and color: See uni Material and Color Overview.

Accessories

Rubber Top



When ordering, please state the required distance between the Rubber Top.

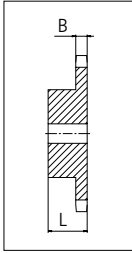
Other Non Standard rubber profiles: See uni Rubber Profile Overview.

Width	Link material	Rubber material	Z		X		Y	
			mm	in	mm	in	mm	in
K325	POM-DI G	05 I	60.0	2.36	10.0	0.39	2.5	0.10
K450	POM-LFI BR	05 I	105.0	4.13	10.0	0.39	2.5	0.10

Any questions? Please contact us.

Sprocket

No of teeth	Pitch diameter		Hub diameter		Overall width L		Tooth width B		Bore		Machined S1045
	mm	in	mm	in	mm	in	mm	in	mm	in	
Z19	115.7	4.56	80.0	3.15	35.0	1.38	11.7	0.46	16.0	0.63	x
Z20	121.8	4.79	80.0	3.15	35.0	1.38	11.7	0.46	16.0	0.63	x
Z25	152.0	5.98	90.0	3.54	40.0	1.57	11.7	0.46	20.0	0.79	x



Please ensure that sufficient size shaft and keyway are chosen for corresponding load.

Non standard material and color:
See uni Material and Color Overview.

Other sprocket sizes are available upon request.
uni Retainer Rings: See uni Retainer Ring data sheet.

Any questions? Please contact us.