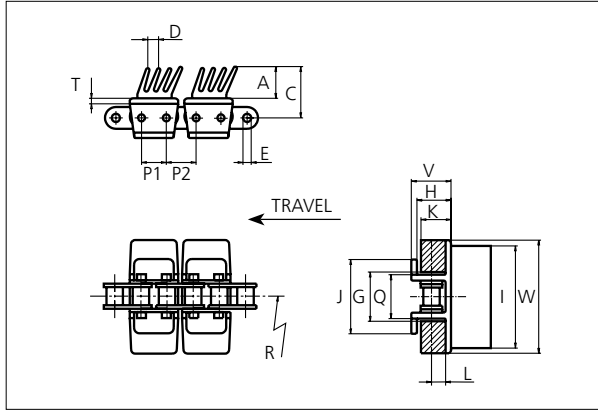


Snap-On Plastic Chain

Series **uni 1873** Type **Grip G4L**



Snap-On Plastic Chain
 Side flexing chain
 Pitch: 19.1 mm (0.75 in)
 Backflex radius: 150.0 mm (5.90 in)
 Permissible tensile strength:
 uni 1873 Grip G4L (SS304) stainless steel chain: 2000 N (450 lbf)
 uni 1873 Grip G4L carbon steel chain: 4000 N (900 lbf)
 Delivery:
 6.096 m (20 ft)
 No. of links/box: 320
 No. of flights/box: 160

STANDARD

A		C		D		E		G		H		I		J	
mm	in	mm	in	mm	in	mm	in	mm	in	mm	in	mm	in	mm	in
21.0	0.83	36.3	1.43	12.0	0.47	5.1	0.20	34.9	1.37	25.9	1.02	75.0	2.95	54.4	2.14
K		L		P1		P2		Q		T		V			
mm	in	mm	in	mm	in	mm	in	mm	in	mm	in	mm	in		
20.6	0.81	10.3	0.41	18.1	0.71	20.1	0.79	31.8	1.25	5.0	0.20	30.0	1.18		

All dimensions are for chains in POM material.

All Snap-On versions can be delivered either with a stainless steel chain (SS304) or a carbon steel chain.

	Width (W)		Flight material & color	Chain material	Weight		Min. radius R	
	mm	in			kg/m	lb/ft	mm	in
K325	82.6	3.25	POM-LFI BR - 04 K	SS304 or Carbon steel	3.2	2.15	356.0	14.02

Non standard material and color: See uni Material and Color Overview.

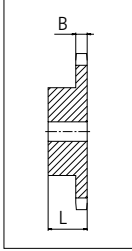
SIDE FLEXING

PITCH 19.1 MM/0.75 IN

Any questions? Please contact us.

Sprocket

No of teeth	Pitch diameter		Hub diameter		Overall width L		Tooth width B		Bore		Machined S1045
	mm	in	mm	in	mm	in	mm	in	mm	in	
Z19	115.7	4.56	80.0	3.15	35.0	1.38	11.7	0.46	16.0	0.63	x
Z20	121.8	4.79	80.0	3.15	35.0	1.38	11.7	0.46	16.0	0.63	x
Z25	152.0	5.98	90.0	3.54	40.0	1.57	11.7	0.46	20.0	0.79	x



Please ensure that sufficient size shaft and keyway are chosen for corresponding load.

Non standard material and color:
See uni Material and Color Overview.

Other sprocket sizes are available upon request.
uni Retainer Rings: See uni Retainer Ring data sheet.

Any questions? Please contact us.