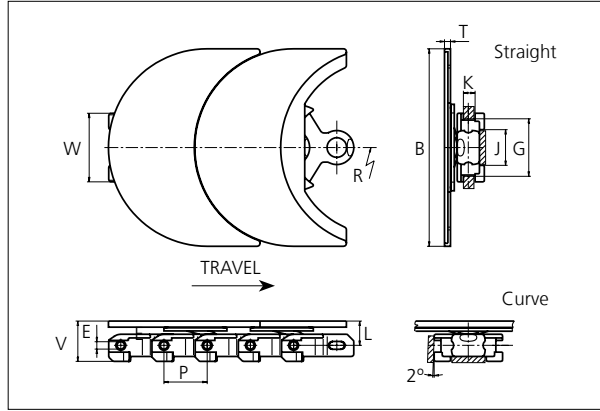


uni Flex Plastic Chain

Series **uni 2700** Type **LH**



uni Flex Chains
 Side flexing chain
 Pitch: 70.0 mm (2.76 in)
 Permissible tensile strength:
 POM material 11000 N (2473 lbf)

 Delivery: 2.5 m (8.25 ft)
 No. of links/box: 36

Note that the 2700 LH cannot backflex.

NON STANDARD

B		E		G		J		K		L		P		T		V	
mm	in	mm	in	mm	in	mm	in	mm	in	mm	in	mm	in	mm	in	mm	in
320.0	12.60	12.0	0.47	92.0	3.62	57.0	2.24	19.0	0.75	38.9	1.53	70.0	2.76	9.5	0.37	65.9	2.59

All dimensions are for chains in POM material.

Width (W)		Recommended base material & color	Recommended plate material & color	Weight		Min. radius (R)	
mm	in			kg/m	lb/ft	mm	in
110.0	4.33	POM-LF BR	PA6 K	8.7	5.85	600.0	23.62


Non standard material and color: See uni Material and Color Overview.
 Non standard pin material: See uni Material and Color Overview.

SIDE FLEXING

PITCH 70.0 MM/2.76 IN

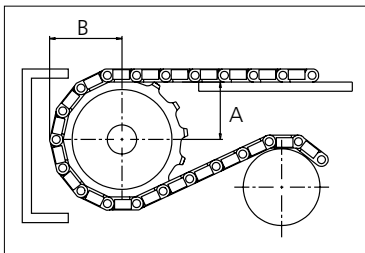
Any questions? Please contact us.

Sprocket

No of teeth	Pitch diameter		Overall-diameter		Min. ø bore		Max. ø bore		Hub-diameter		A-dimension		B-dimension		Molded PA66 LG	Machined PA66 
	mm	in	mm	in	mm	in	mm	in	mm	in	mm	in	mm	in		
Z8	182.8	7.20	184.0	7.2	20.00	0.8	50.00	2.0	73.50	2.9	92.80	3.7	116.70	4.6		x
Z10	226.4	8.91	227.6	9.0	20.00	0.8	50.00	2.0	73.50	2.9	116.00	4.6	137.60	5.4		x

Non standard material and color:
See uni Material and Color Overview.

Machined sprocket



Please ensure that sufficient size shaft and keyway are chosen for corresponding load.

Other sprocket sizes are available upon request
Width of tooth: 15.0 mm/0.60 in
Width of sprocket: 42.3 mm/1.70 in
uni Retainer Rings: See uni Retainer Ring data sheet

Any questions? Please contact us.