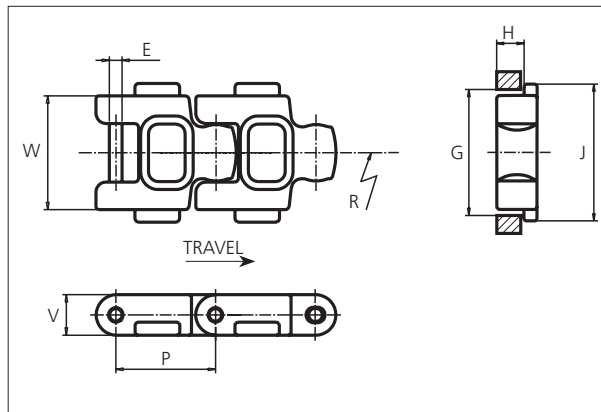


uni Flex Plastic Chain uni 3200 TAB



uni Flex Plastic Chain

Side flexing chain
 Pitch: 50.8 mm (2.00 in)
 Backflex radius: 60.0 mm (2.40 in)
 Permissible tensile strength:
 POM material: 3150 N (708 lbf)

 Delivery: 6.1 m (20.0 ft)
 No. of links/box: 120

E		G		J		H		P		V	
mm	in	mm	in	mm	in	mm	in	mm	in	mm	in
6.4	0.25	59.5	2.34	69.9	2.75	13.8	0.54	50.8	2.00	20.3	0.80

All dimensions are for chains in POM material.

Width (W)		Material & color	Pin material	Weight		Min. radius R	
mm	in			kg/m	lb/ft	mm	in
57.2	2.25	POM-DI G	SS304	57.2	2.25	406.0	16.00

Non standard material and color: See uni Material and Color Overview.

Non standard pin material: See uni Material and Color Overview.

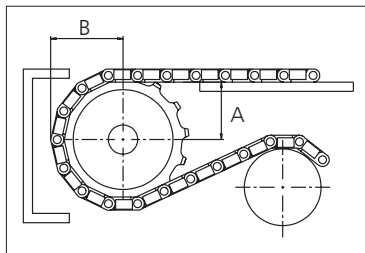
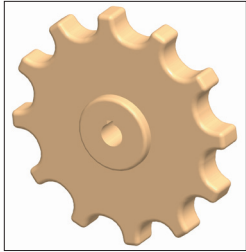
Any questions? Please contact us.

Sprocket

No of teeth	Pitch diameter		Overall-diameter		Min. ø bore		Max. ø bore		Hub-diameter		A-dimension		B-dimension		Molded PA66 LG	Machined PA66 N
	mm	in	mm	in	mm	in	mm	in	mm	in	mm	in	mm	in		
Z8	132.9	5.23	134.0	5.30	19.1	0.80	40.0	1.60	65.0	2.60	51.2	2.00	79.6	3.10		x
Z10	164.5	6.48	160.0	6.30	19.1	0.80	40.0	1.60	65.0	2.60	68.0	2.70	92.4	3.60		x
Z10	164.5	6.48	160.0	6.30	40.0	1.60	70.0	2.80	120.0	4.70	68.0	2.70	92.4	3.60		x
Z12	194.4	7.65	204.0	8.00	19.1	0.80	40.0	1.60	65.0	2.60	84.7	3.30	108.4	4.30		x
Z12	194.4	7.65	204.0	8.00	40.0	1.60	70.0	2.80	120.0	4.70	84.7	3.30	108.4	4.30		x
Z15	244.4	9.62	250.0	9.80	19.1	0.80	40.0	1.60	65.0	2.60	109.4	4.30	132.4	5.20		x
Z15	244.4	9.62	250.0	9.80	40.0	1.60	70.0	2.80	120.0	4.70	109.4	4.30	132.4	5.20		x

Non standard material and color:
See uni Material and Color Overview.

Machined sprocket



Please ensure that sufficient size shaft and keyway are chosen for corresponding load.

Other sprocket sizes are available upon request
Width of tooth: 25.0 mm/1.00 in
Width of sprocket: 42.3 mm/1.70 in
uni Retainer Rings: See uni Retainer Ring data sheet

uni 3200 TAB/0412

Any questions? Please contact us.

Morskate Aandrijvingen BV

Oosterveldsingel 47A
7558 PJ Hengelo (Ov)
The Netherlands

NL

T +31 (0)74 - 760 11 11
info@morskateaandrijvingen.nl
www.morskateaandrijvingen.nl

DE

T +49 692 - 222 34 95
info@morskateantriebstechnik.de
www.morskateantriebstechnik.de

EN

T +31 (0)74 - 760 11 11
info@morskatedrivetechnology.com
www.morskatedrivetechnology.com