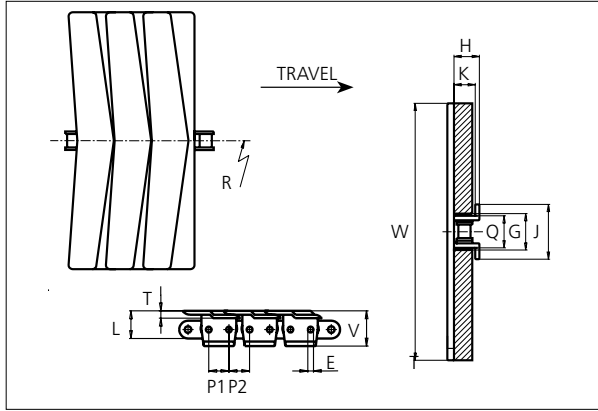


## Snap-On Plastic Chain

Series **uni 3873** Type -



**Snap-On Plastic Chain**  
 Side flexing chain  
 Pitch: 19.1 mm (0.75 in)  
 Backflex radius: 150.0 mm (5.90 in)  
 Permissible tensile strength:  
 uni 3873 with (SS304) stainless steel chain: 2000 N (450 lbf)  
 uni 3873 with carbon steel chain: 4000 N (900 lbf)  
 Delivery:  
 3.048 m (10 ft)  
 No. of links/box: 160  
 No. of flights/box: 80

STANDARD

E		G		H		J		K		L		P1		P2		Q		T		V	
mm	in	mm	in	mm	in	mm	in	mm	in	mm	in	mm	in	mm	in	mm	in	mm	in	mm	in
5.1	0.20	34.9	1.37	24.9	0.98	54.2	2.13	21.0	0.83	16.6	0.65	18.1	0.71	20.1	0.79	31.8	1.25	6.6	0.26	29.0	1.14

All dimensions are for chains in POM material.

All Snap-On versions can be delivered either with a stainless steel chain (SS304) or a carbon steel chain.

	Width (W)		Flight material & color	Chain material	Weight		Min. radius R	
	mm	in			kg/m	lb/ft	mm	in
<b>K1000</b>	254.0	10.00	POM-D <b>G</b> POM-LFI <b>BR</b>	<b>SS304</b> or <b>Carbon steel</b>	3.5	2.35	356.0	14.02

Non standard material and color: See uni Material and Color Overview.

SIDE FLEXING

PITCH 19.1 MM/0.75 IN

Any questions? Please contact us.

**Morskate Aandrijvingen BV**  
 Oosterveldsingel 47A  
 7558 PJ Hengelo (Ov)  
 The Netherlands

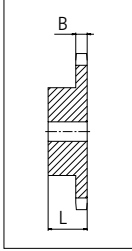
NL  
 T +31 (0)74 - 760 11 11  
 info@morskateaandrijvingen.nl  
 www.morskateaandrijvingen.nl

DE  
 T +49 692 - 222 34 95  
 info@morskateantriebstechnik.de  
 www.morskateantriebstechnik.de

EN  
 T +31 (0)74 - 760 11 11  
 info@morskatedrivetechnology.com  
 www.morskatedrivetechnology.com

## Sprocket

No of teeth	Pitch diameter		Hub diameter		Overall width L		Tooth width B		Bore		Machined S1045
	mm	in	mm	in	mm	in	mm	in	mm	in	
<b>Z19</b>	115.7	4.56	80.0	3.15	35.0	1.38	11.7	0.46	16.0	0.63	x
<b>Z20</b>	121.8	4.79	80.0	3.15	35.0	1.38	11.7	0.46	16.0	0.63	x
<b>Z25</b>	152.0	5.98	90.0	3.54	40.0	1.57	11.7	0.46	20.0	0.79	x



**Please ensure that sufficient size shaft and keyway are chosen for corresponding load.**

Non standard material and color:  
See uni Material and Color Overview.

Other sprocket sizes are available upon request.  
uni Retainer Rings: See uni Retainer Ring data sheet.

Any questions? Please contact us.