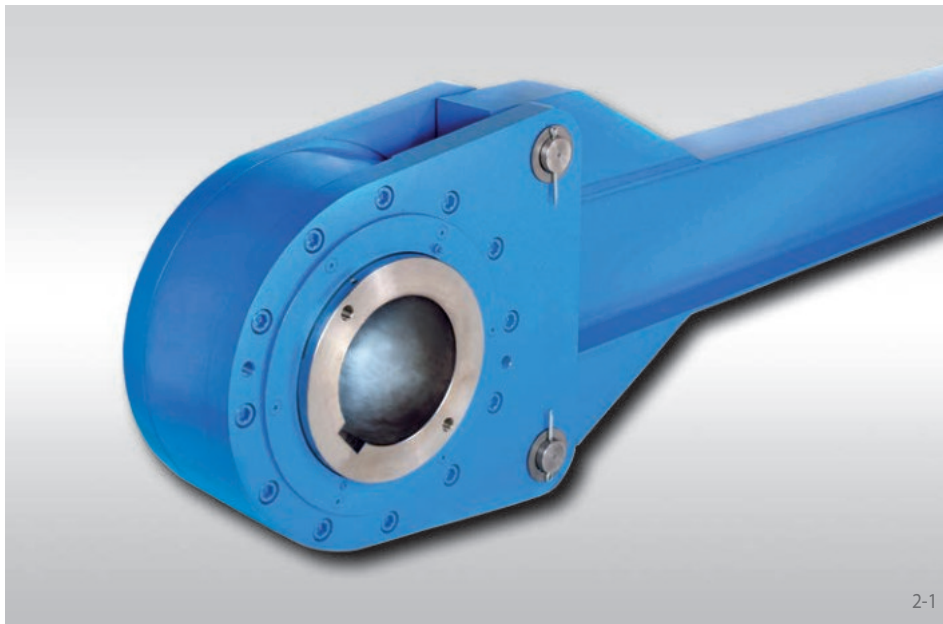


# Complete Freewheels FRHN

with lever arm  
in metric dimensions with sprags

Morskate®



## Application as

### Backstop

for installations with low speeds. The freewheels are designed for the use in inclined conveyor belts, elevators or pumps. Taconite seals protect the freewheels from contamination with dust or dirt.

## Features

Complete Freewheels FRHN with lever arm are sealed sprag freewheels with ball bearings. They are supplied oil-filled and ready for installation.

The freewheels FRHN are arranged on through shafts or shaft ends.

Nominal torques up to 503 550 Nm.

Bores up to 355 mm

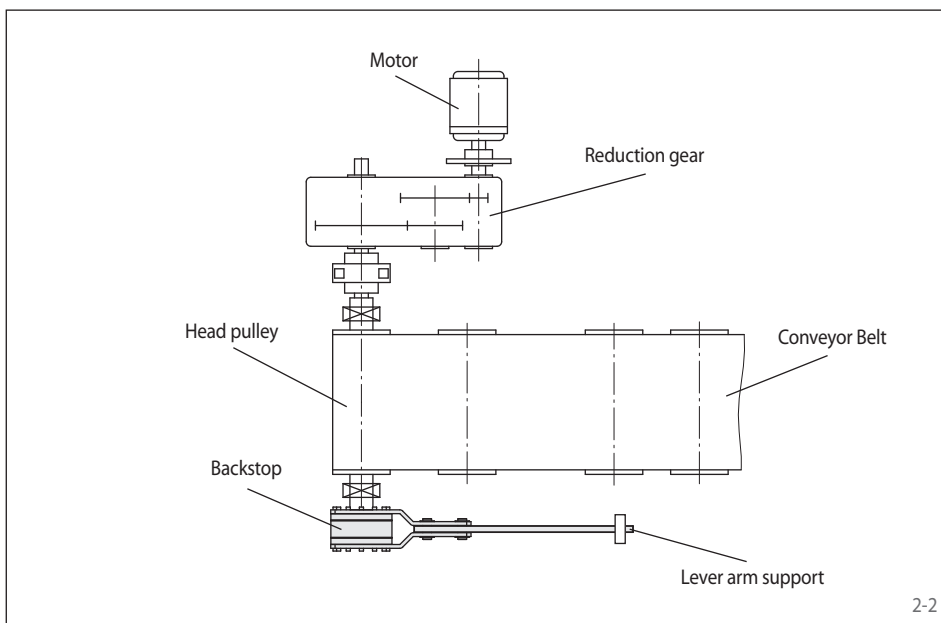
## Application example

Backstop FRHN 1 200 on the head drum shaft of an inclined conveyor belt system. The lever arm is bolted to the freewheel. The backdriving torque is supported by the lever arm on the base plate. When the conveyor belt is without any load, the drum shaft can be turned in both directions during maintenance by removing the bolts.

## Mounting

The backdriving torque is supported by the lever arm. The lever arm must not be clamped into position. It must have 12,5 cm play in the axial and in the radial direction.

The tolerance of the shaft must be ISO h6 or j6.



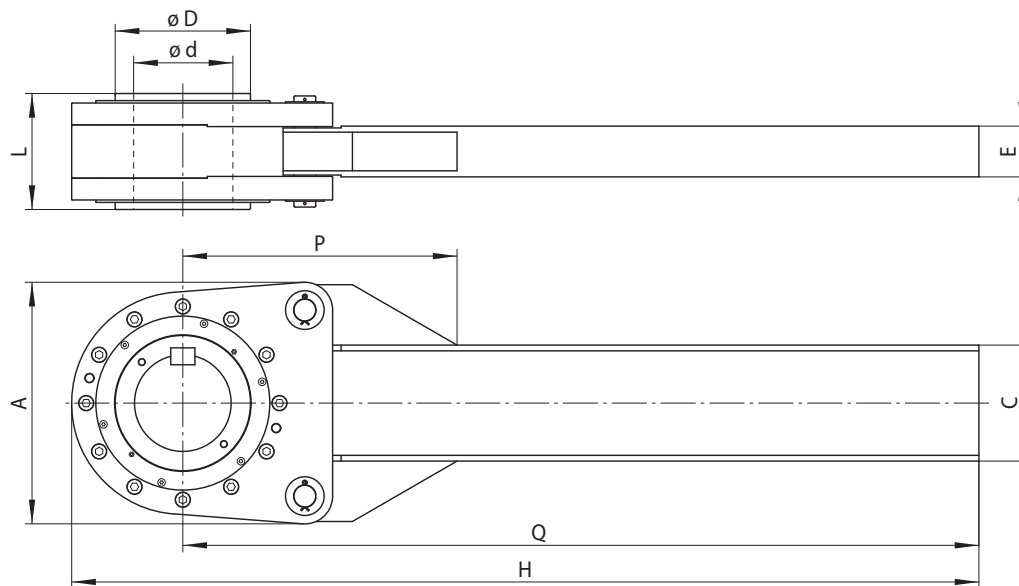
## Example for ordering

Freewheel size FRHN 1 200 with a 230 mm bore:

- FRHN 1 200, d = 230 mm

# Complete Freewheels FRHN

with lever arm  
in metric dimensions with sprags



3-1

| Backstop | Standard type     | Dimensions |  |  |  |  |  |  |  |  |  |  |
|----------|-------------------|------------|--|--|--|--|--|--|--|--|--|--|
|          | For universal use |            |  |  |  |  |  |  |  |  |  |  |

| Freewheel Size | Nominal torque $M_N$ Nm | Max. Speed Inner ring freewheels $\text{min}^{-1}$ | Bore d max. mm | A mm | C mm | D mm | E mm | H mm  | L mm | R mm | Q mm  | Weight kg |
|----------------|-------------------------|--|----------------|------|------|------|------|-------|------|------|-------|-----------|
| FRHN 1 200     | 113 400                 | 200  | 230            | 586  | 280  | 300  | 124  | 2 239 | 280  | 712  | 1 987 | 620       |
| FRHN 1 400     | 256 500                 | 200  | 280            | 760  | 450  | 380  | 154  | 2 590 | 330  | 758  | 2 268 | 1 000     |
| FRHN 1 600     | 503 550                 | 110  | 355            | 826  | 500  | 400  | 160  | 3 104 | 490  | 772  | 2 742 | 1 600     |

The maximum transmissible torque is 2 times the specified nominal torque. See page 14 catalogue „Freewheels“ for determination of selection torque. Keyway dimensions upon request by customers.

Any questions? Please contact us.

**Morskate®**



Any questions? Please contact us.

**Morskate Aandrijvingen BV**

Oosterveldsingel 47A  
7558 PJ Hengelo (Ov)  
The Netherlands

NL

T +31 (0)74 - 760 11 11  
info@morskateaandrijvingen.nl  
www.morskateaandrijvingen.nl

DE

T +49 692 - 222 34 95  
info@morskateantriebstechnik.de  
www.morskateantriebstechnik.de

EN

T +31 (0)74 - 760 11 11  
info@morskatedrivetechnology.com  
www.morskatedrivetechnology.com