



Falk™ Steelflex® T10

Precision. Power. Performance.

You want a trusted name when it comes to providing engineered power transmission products that improve productivity and efficiency. Rexnord provides superior products for your industrial applications world wide. We work closely with you to reduce maintenance costs, eliminate redundant inventories and prevent equipment downtime.

Applications include:

- ▶ pumps
- ▶ paper machines
- ▶ general purpose

Falk™ Steelflex® T10 Grid Couplings

Close coupled grid with replace-in-place shot peened, tapered grid for long life. Five year warranty when installed with long term LTG® grease.

Falk is a Rexnord brand.



Ex II 2GD c T5

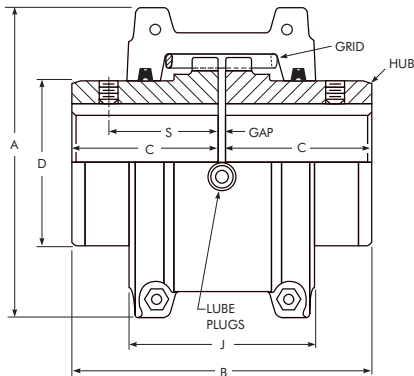
Falk™ Steelflex® T10

Features

- ▶ Alloy steel tapered grids
- ▶ Long Term Grease (LTG)
- ▶ Replace in place
- ▶ Torsionally flexible

Benefits

- ▶ Long life
- ▶ Extended maintenance periods
- ▶ Easy maintenance
- ▶ Cushions shock loads
- ▶ Cushions vibrations



Torque Demands Driven Machine	Typical Application for Electric Motor or Turbine Driven Equipment	Typical Service Factor
	Constant torque such as centrifugal pumps, blowers and compressors	1.0
	Continuous duty with some torque variations including plastic extruders and forced draft fans	1.5
	Light shock loads from metal extruders, cooling towers and log haulers	2.0
	Moderate shock loading as expected from a car dumper, stone crusher, vibrating screen	2.5
	Heavy shock load with some negative torques from reciprocating pumps, compressors, reversing turnout tables	3.0
	Frequent torque reversals such as reciprocating compressors with frequent torque reversals which do not necessarily include reverse rotations	Consult Rexnord Engineering

SIZE ~	Torque Rating (Nm)	Max Speed (rpm)	Max Bore (mm)	Min Bore (mm)	Coupling weight (With No Bore-kg)	Lube weight (kg)	A (mm)	B (mm)	C (mm)	D (mm)	J (mm)	S (mm)	Gap (mm)
1020T	52	4 500	28	13	1,9	0,02	97	98	47	39	66	39,1	3
1030T	149	4 500	35	13	2,5	0,04	105	98	47	49	68	39,1	3
1040T	249	4 500	43	13	3,3	0,05	114	104	50	57	69	40,1	3
1050T	435	4 500	50	13	5,4	0,06	135	123	60	66	80	44,7	3
1060T	684	4 350	56	20	7,4	0,08	147	130	63	76	93	52,3	3
1070T	994	4 125	67	20	10,4	0,1	158	155	76	87	96	53,8	3
1080T	2 050	3 600	80	27	17,9	0,1	190	180	88	104	115	64,5	3
1090T	3 730	3 600	95	27	25,6	0,2	211	199	98	123	122	71,6	3
1100T	6 280	2 440	110	42	42,0	0,4	251	246	120	142	155	5
1110T	9 320	2 250	120	42	54,3	0,5	269	259	127	160	161	5
1120T	13 700	2 025	140	61	81,2	0,7	307	304	149	179	191	6
1130T	19 900	1 800	170	67	121	0,9	345	329	161	217	195	6
1140T	28 600	1 650	200	67	178	1,1	384	374	184	254	201	6
1150T	39 800	1 500	215	108	234	1,9	453	371	182	269	271	6
1160T	55 900	1 350	240	121	317	2,8	501	402	198	304	278	6
1170T	74 600	1 225	280	134	448	3,4	566	437	215	355	307	6
1180T	103 000	1 100	300	153	619	3,7	629	483	238	393	321	6
1190T	137 000	1 050	335	153	776	4,4	675	524	259	436	325	6
1200T	186 000	900	360	178	1 058	5,6	756	564	279	497	355	6
1210T	249 000	820	390	178	1 424	10,5	844	622	304	533	431	13
1220T	336 000	730	420	203	1 785	16,1	920	663	325	571	490	13
1230T	435 000	680	450	203	2 267	24,0	1 003	703	345	609	546	13
1240T	559 000	630	480	254	2 950	33,8	1 087	749	368	647	647	13
1250T	746 000	580		254	3 833	50,1	1 181	815	401	711	698	13
1260T	932 000	540		254	4 682	67,2	1 260	876	431	762	762	13

Sizes up to 900,000 Nm available, consult Rexnord

Any questions? Please contact us.

Morskate Aandrijvingen BV

Oosterveldsingel 47A
7558 PJ Hengelo (Ov)
The Netherlands

NL

T +31 (0)74 - 760 11 11
info@morskateaanrijvingen.nl
www.morskateaanrijvingen.nl

DE

T +49 692 - 222 34 95
info@morskateantriebstechnik.de
www.morskateantriebstechnik.de

EN

T +31 (0)74 - 760 11 11
info@morskatedrivetechnology.com
www.morskatedrivetechnology.com