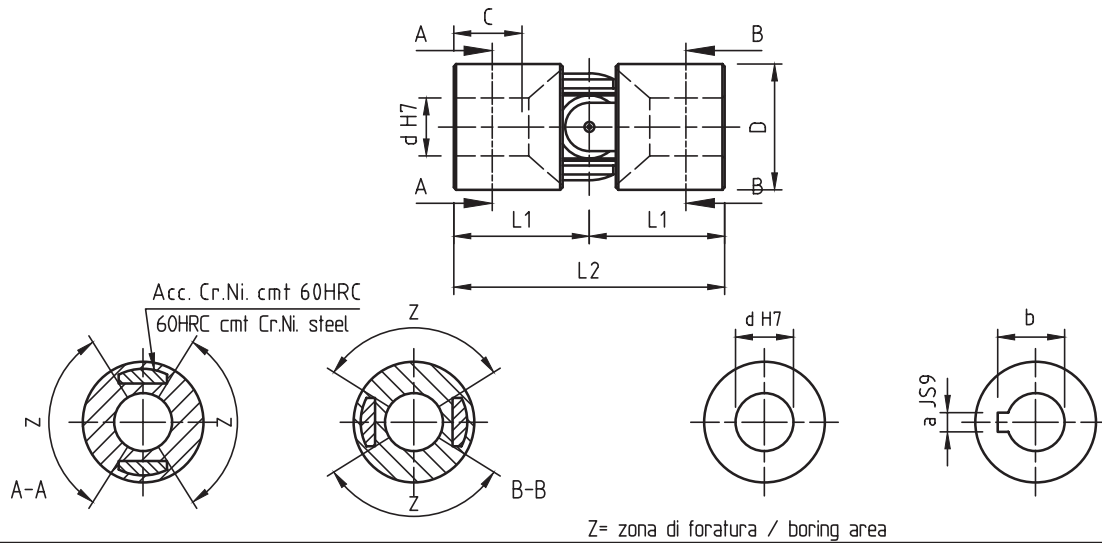


- Nucleo e forcelle integrali in acc. Cr. Ni. cementato e temperato  
HRC > 60, R = > 200 Kg/mm<sup>2</sup>.  
Central block and forks from one piece of Nickel Chrome steel cemented and hardened HRC > 60, R = > 200 Kg/sq.mm.
- Elevata resistenza usura, lunga durata.  
High wear resistance, long life.
- Prelubrificati. Ingrassatore incorporato.  
Pre-lubricated. Greaser built-in.
- Angolo max : 45°. Giri max. 1000/min.  
Max angle : 45°. Max speed 1000 R.P.M.
- Esecuzioni speciali a richiesta.  
Special executions on request.



Mod. Type	Codice / Code	d	D	L2	L1	C	Codice / Code	Codice / Code	a	b	Peso Weight Kg
01S	SS0S 0600	6	16	34	17	9	—	—	—	—	0,05
02S	SS0S 0800	8	18	40	20	11	—	—	—	—	0,06
03S	SS0S 1000	10	22	48	24	14	SS0S 101C	SS0S 102C	3	11,4	0,11
04S	SS0S 1200	12	26	56	28	16	SS0S 121C	SS0S 122C	4	13,8	0,17
05S	SS0S 1400	14	29	60	30	17	SS0S 141C	SS0S 142C	5	16,3	0,22
1S	SS0S 1600	16	32	68	34	20	SS0S 161C	SS0S 162C	5	18,3	0,32
2S	SS0S 1800	18	37	74	37	21	SS0S 181C	SS0S 182C	6	20,8	0,47
3S	SS0S 2000	20	42	82	41	23	SS0S 201C	SS0S 202C	6	22,8	0,67
4S	SS0S 2200	22	47	95	47,5	25	SS0S 221C	SS0S 222C	6	24,8	1,00
5S	SS0S 2500	25	52	108	54	29	SS0S 251C	SS0S 252C	8	28,3	1,35
6S	SS0S 3000	30	58	122	61	34	SS0S 301C	SS0S 302C	8	33,3	1,85

**Morskate®**



Any questions? Please contact us.

**Morskate Aandrijvingen BV**

Oosterveldsingel 47A  
7558 PJ Hengelo (Ov)  
The Netherlands

NL

T +31 (0)74 - 760 11 11  
info@morskateaandrijvingen.nl  
www.morskateaandrijvingen.nl

DE

T +49 692 - 222 34 95  
info@morskateantriebstechnik.de  
www.morskateantriebstechnik.de

EN

T +31 (0)74 - 760 11 11  
info@morskatedrivetechnology.com  
www.morskatedrivetechnology.com