
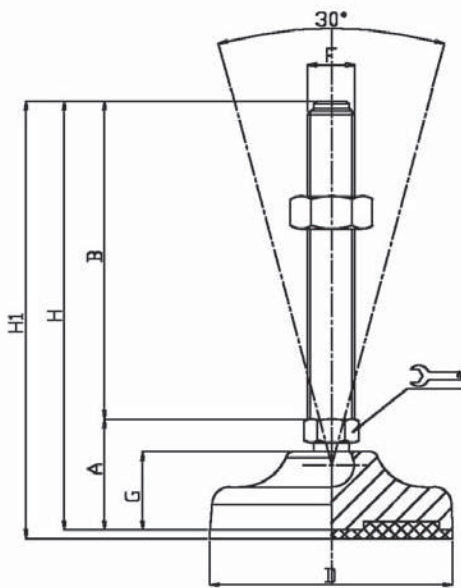



CODICE - CODE		descrizione description	DIMENSIONI PRINCIPALI - MAIN DIMENSIONS								CARICO STATICO STATIC LOAD NEWTON
standard standard	antiscivolo antislip		A	B	D		F	G	H	H1	
10438	10439	M8X25	25	25	Ø 40	12	M8	14,5	50	53	10000
10440	10441	M8X50	25	50	Ø 40	12	M8	14,5	75	78	10000
10442	10443	M8X75	25	75	Ø 40	12	M8	14,5	100	103	10000
10446	10447	M8X100	25	100	Ø 40	12	M8	14,5	125	128	10000
10448	10449	M10X25	25	25	Ø 40	12	M10	14,5	50	53	10000
10450	10451	M10X50	25	50	Ø 40	12	M10	14,5	75	78	10000
10452	10453	M10X75	25	75	Ø 40	12	M10	14,5	100	103	10000
10454	10455	M10X100	25	100	Ø 40	12	M10	14,5	125	128	10000
10456	10457	M10X125	25	125	Ø 40	12	M10	14,5	150	153	10000

- *Stainless steel base in 1.4301 (1.4401 on specific request). On request non-skid plate in NBR rubber 70 shore is available (Standard code = without rubber). Stainless steel screw in 1.4301 (1.4401 on specific request). The leveling element could be supplied, on request, with steel nut.*
- *Load values above mentioned have to be considered referring to static conditions calculated at the half of the screw length. In conditions of vibrations or in presence of dynamic loads these values should be reduced. For further information consult our technical office. We cannot accept responsibility for mounts that have been tampered or modified*

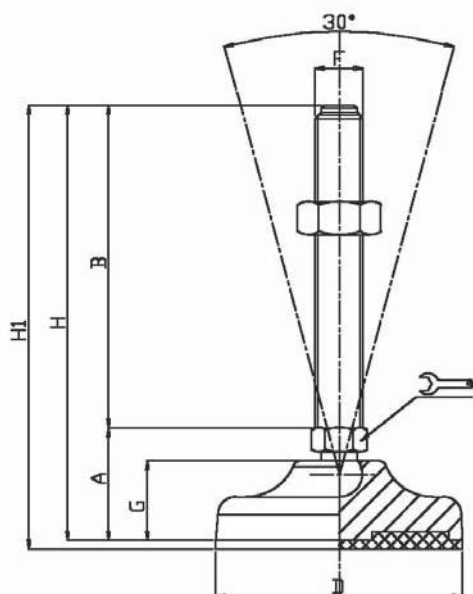
Any questions? Please contact us.















CODICE - CODE		descrizione description	DIMENSIONI PRINCIPALI - MAIN DIMENSIONS								CARICO STATICO STATIC LOAD NEWTON
standard standard	antiscivolo antislip		A	B	D		F	G	H	H1	
10458	10459	M10X25	28	25	Ø 50	14	M10	16	53	56	15000
10460	10461	M10X50	28	50	Ø 50	14	M10	16	78	81	15000
10462	10463	M10X75	28	75	Ø 50	14	M10	16	103	106	15000
10464	10465	M10X100	28	100	Ø 50	14	M10	16	128	131	15000
10466	10467	M10X125	28	125	Ø 50	14	M10	16	153	156	15000
10468	10469	M12X25	28	25	Ø 50	14	M12	16	53	56	15000
10470	10471	M12X50	28	50	Ø 50	14	M12	16	78	81	15000
10472	10473	M12X75	28	75	Ø 50	14	M12	16	103	106	15000
10474	10475	M12X100	28	100	Ø 50	14	M12	16	128	131	15000
10476	10477	M12X125	28	125	Ø 50	14	M12	16	153	156	15000
10478	10479	M14X25	28	25	Ø 50	14	M14	16	53	56	15000
10480	10481	M14X50	28	50	Ø 50	14	M14	16	78	81	15000
10482	10483	M14X75	28	75	Ø 50	14	M14	16	103	106	15000
10484	10485	M14X100	28	100	Ø 50	14	M14	16	128	131	15000
10486	10487	M14X125	28	125	Ø 50	14	M14	16	153	156	15000

▪ Stainless steel base in 1.4301 (1.4401 on specific request). On request non-skid plate in NBR rubber 70 shore is available (Standard code = without rubber). Stainless steel screw in 1.4301 (1.4401 on specific request). The leveling element could be supplied, on request, with steel nut.

▪ Load values above mentioned have to be considered referring to static conditions calculated at the half of the screw length. In conditions of vibrations or in presence of dynamic loads these values should be reduced. For further information consult our technical office. We cannot accept responsibility for mounts that have been tampered or modified

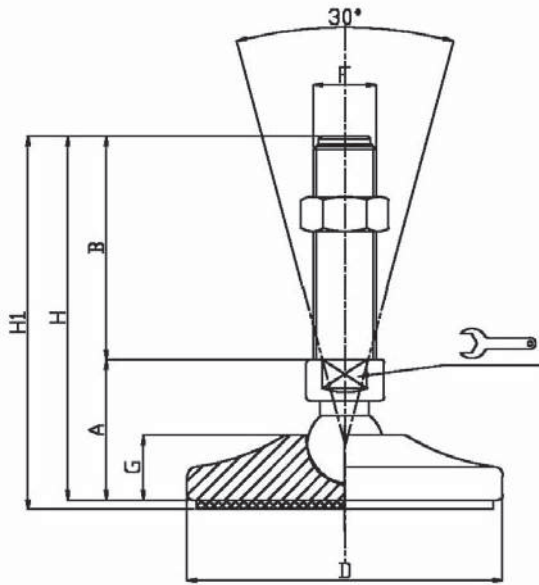



CODICE - CODE		descrizione description	DIMENSIONI PRINCIPALI - MAIN DIMENSIONS								CARICO STATICO STATIC LOAD NEWTON
standard standard	antiscivolo antislip		A	B	D		F	G	H	H1	
10488	10489	M14X50	30	50	Ø 65	14 	M14	17	80	83	20000
10490	10491	M14X75	30	75	Ø 65	14 	M14	17	105	108	20000
10492	10493	M14X100	30	100	Ø 65	14 	M14	17	130	133	20000
10494	10495	M14X125	30	125	Ø 65	14 	M14	17	155	158	20000
10496	10497	M14X150	30	150	Ø 65	14 	M14	17	180	183	20000
10500	10501	M16X50	34,5	50	Ø 65	13 	M16	17	84,5	89,5	20000
10502	10503	M16X75	34,5	75	Ø 65	13 	M16	17	109,5	112,5	20000
10504	10505	M16X100	34,5	100	Ø 65	13 	M16	17	134,5	137,5	20000
10506	10507	M16X125	34,5	125	Ø 65	13 	M16	17	159,5	162,5	20000
10508	10509	M16X150	34,5	150	Ø 65	13 	M16	17	184,5	187,5	20000
10510	10511	M16X175	34,5	175	Ø 65	13 	M16	17	209,5	212,5	20000

- *Stainless steel base in 1.4301 (1.4401 on specific request). On request non-skid plate in NBR rubber 70 shore is available (Standard code = without rubber). Stainless steel screw in 1.4301 (1.4401 on specific request). The leveling element could be supplied, on request, with steel nut.*
- *Load values above mentioned have to be considered referring to static conditions calculated at the half of the screw length. In conditions of vibrations or in presence of dynamic loads these values should be reduced. For further information consult our technical office. We cannot accept responsibility for mounts that have been tampered or modified*

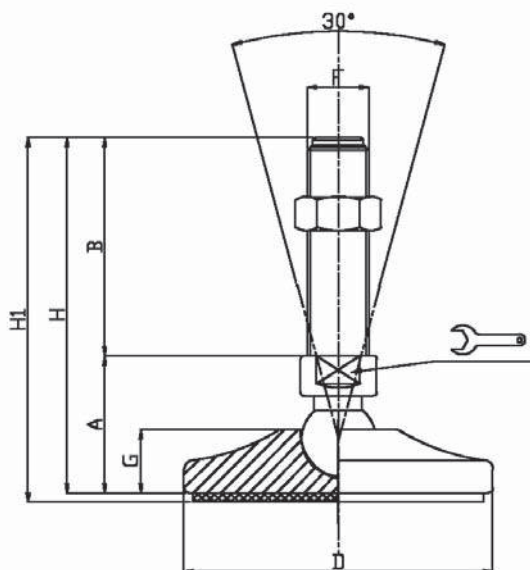
BASE INOX Ø 80 CON STELO SNODATO INOX 30°


STAINLESS STEEL BASE Ø 80 WITH ARTICULATED STAINLESS STEEL SCREW 30°



CODICE - CODE		descrizione description	DIMENSIONI PRINCIPALI - MAIN DIMENSIONS								CARICO STATICO STATIC LOAD NEWTON
standard standard	antiscivolo antislip		A	B	D		F	G	H	H1	
10514	10515	M16X50	36	50	Ø 80	13	M16	19,5	86	89	30000
10516	10517	M16X75	36	75	Ø 80	13	M16	19,5	111	114	30000
10518	10519	M16X100	36	100	Ø 80	13	M16	19,5	136	139	30000
10520	10521	M16X125	36	125	Ø 80	13	M16	19,5	159	163	30000
10522	10523	M16X150	36	150	Ø 80	13	M16	19,5	186	189	30000
10524	10525	M16X175	36	175	Ø 80	13	M16	19,5	211	214	30000
10526	10527	M16X200	36	200	Ø 80	13	M16	19,5	236	239	30000
10528	10529	M20X75	36	75	Ø 80	17	M20	19,5	111	114	30000
10530	10531	M20X100	36	100	Ø 80	17	M20	19,5	136	139	30000
10532	10533	M20X125	36	125	Ø 80	17	M20	19,5	161	164	30000
10534	10535	M20X150	36	150	Ø 80	17	M20	19,5	186	189	30000
10536	10537	M20X175	36	175	Ø 80	17	M20	19,5	211	214	30000
10538	10539	M20X200	36	200	Ø 80	17	M20	19,5	236	239	30000
10540	10541	M20X225	36	225	Ø 80	17	M20	19,5	261	264	30000

- Stainless steel base in 1.4301 (1.4401 on specific request). On request non-skid plate in NBR rubber 70 shore is available (Standard code = without rubber). Stainless steel screw in 1.4301 (1.4401 on specific request). The levelling element could be supplied, on request, with steel nut.
- Load values above mentioned have to be considered referring to static conditions calculated at the half of the screw length. In conditions of vibrations or in presence of dynamic loads these values should be reduced. For further information consult our technical office. We cannot accept responsibility for mounts that have been tampered or modified



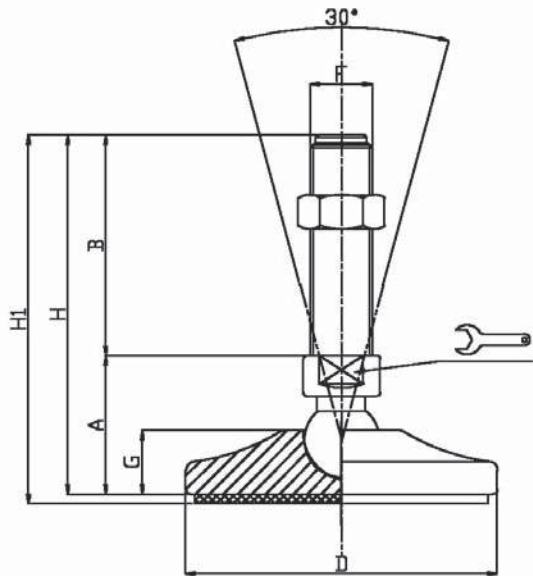
CODICE - CODE		descrizione description	DIMENSIONI PRINCIPALI - MAIN DIMENSIONS								CARICO STATICO STATIC LOAD NEWTON
standard standard	antiscivolo antislip		A	B	D		F	G	H	H1	
10542	10543	M16X50	43	50	Ø 100	20	M16	20	93	96	35000
10544	10545	M16X75	43	75	Ø 100	20	M16	20	118	121	35000
10546	10547	M16X100	43	100	Ø 100	20	M16	20	143	146	35000
10548	10549	M16X125	43	125	Ø 100	20	M16	20	168	171	35000
10550	10551	M16X150	43	150	Ø 100	20	M16	20	193	196	35000
10552	10553	M16X175	43	175	Ø 100	20	M16	20	218	221	35000
10554	10555	M16X200	43	200	Ø 100	20	M16	20	243	246	35000
10560	10561	M20X75	43	75	Ø 100	20	M20	20	118	121	45000
10562	10563	M20X100	43	100	Ø 100	20	M20	20	143	146	45000
10564	10565	M20X125	43	125	Ø 100	20	M20	20	168	171	45000
10566	10567	M20X150	43	150	Ø 100	20	M20	20	193	196	45000
10568	10569	M20X175	43	175	Ø 100	20	M20	20	218	221	45000
10570	10571	M20X200	43	200	Ø 100	20	M20	20	243	246	45000
10572	10573	M20X225	43	225	Ø 100	20	M20	20	268	271	45000
10574	10575	M20X250	43	250	Ø 100	20	M20	20	293	296	45000
10578	10579	M24X75	44	75	Ø 100	20	M24	20	119	122	55000
10580	10581	M24X100	44	100	Ø 100	20	M24	20	144	147	55000
10582	10583	M24X125	44	125	Ø 100	20	M24	20	169	172	55000
* 10584	10585	M24X150	44	150	Ø 100	20	M24	20	199	202	55000
10586	10587	M24X175	44	175	Ø 100	20	M24	20	219	222	55000
* 10588	10589	M24X200	44	200	Ø 100	20	M24	20	244	247	55000
10590	10591	M24X225	44	225	Ø 100	20	M24	20	269	272	55000
10592	10593	M24X250	44	250	Ø 100	20	M24	20	294	297	55000


* Disponibile con Filettatura a passo fine. Aggiungere "JP2" al codice
Available with Thin pitch thread. Please, add "JP2" to the code

- Stainless steel base in 1.4301 (1.4401 on specific request). On request non-skid plate in NBR rubber 70 shore is available (Standard code = without rubber). Stainless steel screw in 1.4301 (1.4401 on specific request). The leveling element could be supplied, on request, with steel nut.
- Load values above mentioned have to be considered referring to static conditions calculated at the half of the screw length. In conditions of vibrations or in presence of dynamic loads these values should be reduced. For further information consult our technical office. We cannot accept responsibility for mounts that have been tampered or modified

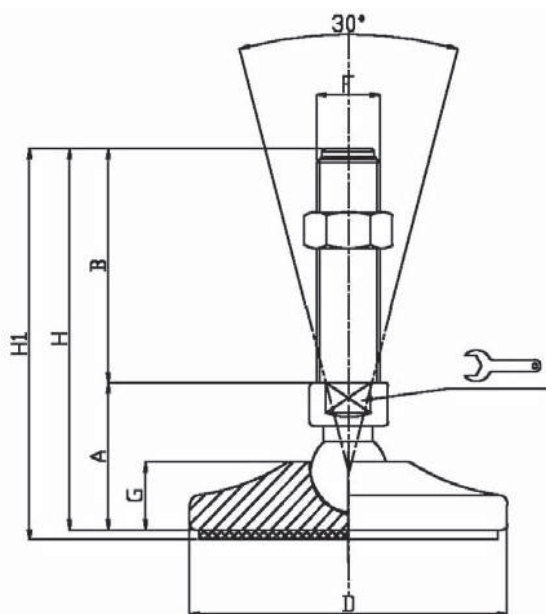
BASE INOX Ø 120 CON STELO SNODATO INOX 30°


STAINLESS STEEL BASE Ø 120 WITH ARTICULATED STAINLESS STEEL SCREW 30°



CODICE - CODE		descrizione description	DIMENSIONI PRINCIPALI - MAIN DIMENSIONS								CARICO STATICO STATIC LOAD NEWTON
standard standard	antiscivolo antislip		A	B	D		F	G	H	H1	
10594	10595	M16X50	46	50	Ø 120	20	M16	23	96	99	35000
10596	10597	M16X75	46	75	Ø 120	20	M16	23	121	124	35000
10598	10599	M16X100	46	100	Ø 120	20	M16	23	146	149	35000
10600	10601	M16X125	46	125	Ø 120	20	M16	23	171	174	35000
10602	10603	M16X150	46	150	Ø 120	20	M16	23	196	199	35000
10604	10605	M16X175	46	175	Ø 120	20	M16	23	221	224	35000
10606	10607	M16X200	46	200	Ø 120	20	M16	23	246	249	35000
10612	10613	M20X75	46	75	Ø 120	20	M20	23	121	124	45000
10614	10615	M20X100	46	100	Ø 120	20	M20	23	146	149	45000
10616	10617	M20X125	46	125	Ø 120	20	M20	23	171	174	45000
10618	10619	M20X150	46	150	Ø 120	20	M20	23	196	199	45000
10620	10621	M20X175	46	175	Ø 120	20	M20	23	221	224	45000
10622	10623	M20X200	46	200	Ø 120	20	M20	23	246	249	45000
10624	10625	M20X225	46	225	Ø 120	20	M20	23	271	274	45000
10626	10627	M20X250	46	250	Ø 120	20	M20	23	296	299	45000

- Stainless steel base in 1.4301 (1.4401 on specific request). On request non-skid plate in NBR rubber 70 shore is available (Standard code = without rubber). Stainless steel screw in 1.4301 (1.4401 on specific request). The leveling element could be supplied, on request, with steel nut.
- Load values above mentioned have to be considered referring to static conditions calculated at the half of the screw length. In conditions of vibrations or in presence of dynamic loads these values should be reduced. For further information consult our technical office. We cannot accept responsibility for mounts that have been tampered or modified



CODICE - CODE		descrizione description	DIMENSIONI PRINCIPALI - MAIN DIMENSIONS								CARICO STATICO STATIC LOAD NEWTON
standard standard	antiscivolo antislip		A	B	D		F	G	H	H1	
10630	10631	M24X75	47	75	Ø 120	20	M24	23	122	125	55000
10632	10633	M24X100	47	100	Ø 120	20	M24	23	147	150	55000
10634	10635	M24X125	47	125	Ø 120	20	M24	23	172	175	55000
* 10636	10637	M24X150	47	150	Ø 120	20	M24	23	197	200	55000
10638	10639	M24X175	47	175	Ø 120	20	M24	23	222	225	55000
* 10640	10641	M24X200	47	200	Ø 120	20	M24	23	247	250	55000
10642	10643	M24X225	47	225	Ø 120	20	M24	23	272	275	55000
10644	10645	M24X250	47	250	Ø 120	20	M24	23	297	300	55000
10646	10647	M30X100	47	100	Ø 120	26	M30	23	147	150	65000
10648	10649	M30X125	47	125	Ø 120	26	M30	23	172	175	65000
* 10650	10651	M30X150	47	150	Ø 120	26	M30	23	197	200	65000
10652	10653	M30X175	47	175	Ø 120	26	M30	23	222	225	65000
* 10654	10655	M30X200	47	200	Ø 120	26	M30	23	247	250	65000
10656	10657	M30X225	47	225	Ø 120	26	M30	23	272	275	65000
10658	10659	M30X250	47	250	Ø 120	26	M30	23	297	300	65000

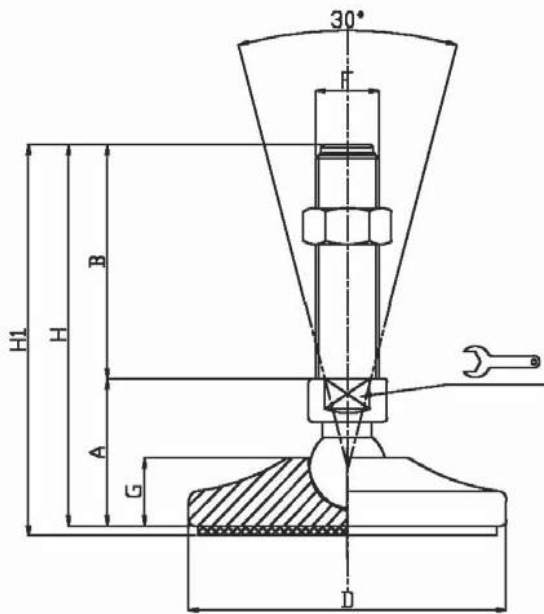
* Disponibile con Filettatura a passo fine. Aggiungere "IP2" al codice
Available with Thin pitch thread. Please, add "IP2" to the code

- Stainless steel base in 1.4301 (1.4401 on specific request). On request non-skid plate in NBR rubber 70 shore is available (Standard code = without rubber). Stainless steel screw in 1.4301 (1.4401 on specific request). The leveling element could be supplied, on request, with steel nut.
- Load values above mentioned have to be considered referring to static conditions calculated at the half of the screw length. In conditions of vibrations or in presence of dynamic loads these values should be reduced. For further information consult our technical office. We cannot accept responsibility for mounts that have been tampered or modified


BASE INOX Ø 140 CON STELO SNODATO INOX 30°

STAINLESS STEEL BASE Ø 140 WITH ARTICULATED STAINLESS STEEL SCREW 30°

Martin
Leveling Components



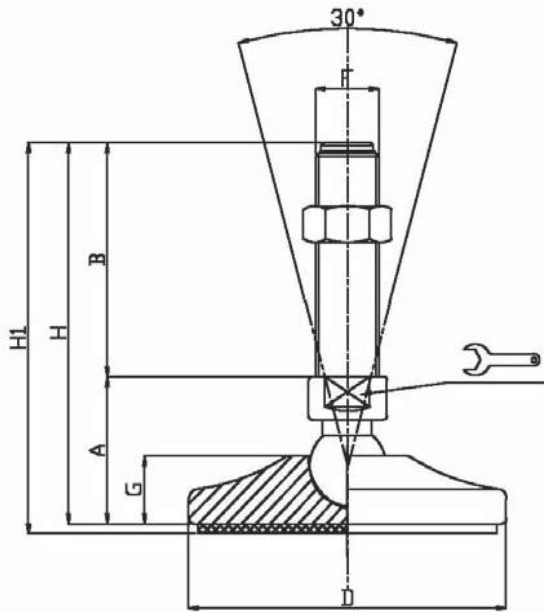
Inox


CODICE - CODE		descrizione description	DIMENSIONI PRINCIPALI - MAIN DIMENSIONS								CARICO STATICO STATIC LOAD NEWTON
standard standard	antiscivolo antislip		A	B	D		F	G	H	H1	
10884	10885	M20X75	49	75	Ø 140	20	M20	26	124	127	50000
10886	10887	M20X100	49	100	Ø 140	20	M20	26	149	152	50000
10888	10889	M20X125	49	125	Ø 140	20	M20	26	174	177	50000
10890	10891	M20X150	49	150	Ø 140	20	M20	26	199	202	50000
10892	10893	M20X175	49	175	Ø 140	20	M20	26	224	227	50000
10894	10895	M20X200	49	200	Ø 140	20	M20	26	249	252	50000
10904	10905	M24X75	49	75	Ø 140	20	M24	26	124	127	60000
10906	10907	M24X100	49	100	Ø 140	20	M24	26	149	152	60000
10908	10909	M24X125	49	125	Ø 140	20	M24	26	174	177	60000
* 10910	10911	M24X150	49	150	Ø 140	20	M24	26	199	202	60000
10912	10913	M24X175	49	175	Ø 140	20	M24	26	224	227	60000
* 10914	10915	M24X200	49	200	Ø 140	20	M24	26	249	252	60000
10920	10921	M30X100	49	100	Ø 140	26	M30	26	149	152	70000
10922	10923	M30X125	49	125	Ø 140	26	M30	26	174	177	70000
* 10924	10925	M30X150	49	150	Ø 140	26	M30	26	199	202	70000
10926	10927	M30X175	49	175	Ø 140	26	M30	26	224	227	70000
* 10928	10929	M30X200	49	200	Ø 140	26	M30	26	249	252	70000
10930	10931	M30X225	49	225	Ø 140	26	M30	26	274	277	70000
10932	10933	M30X250	49	250	Ø 140	26	M30	26	299	302	70000

* Disponibile con Filettatura a passo fine. Aggiungere "JP2" al codice
Available with Thin pitch thread. Please, add "JP2" to the code

▪ Stainless steel base in 1.4301 (1.4401 on specific request). On request non-skid plate in NBR rubber 70 shore is available (Standard code = without rubber). Stainless steel screw in 1.4301 (1.4401 on specific request). The leveling element could be supplied, on request, with steel nut.

▪ Load values above mentioned have to be considered referring to static conditions calculated at the half of the screw length. In conditions of vibrations or in presence of dynamic loads these values should be reduced. For further information consult our technical office. We cannot accept responsibility for mounts that have been tampered or modified



CODICE - CODE		descrizione description	DIMENSIONI PRINCIPALI - MAIN DIMENSIONS								CARICO STATICO STATIC LOAD NEWTON
standard standard	antiscivolo antislip		A	B	D		F	G	H	H1	
10934	10935	M20X75	49	75	Ø 160	20	M20	26	124	127	50000
10936	10937	M20X100	49	100	Ø 160	20	M20	26	149	152	50000
10938	10939	M20X125	49	125	Ø 160	20	M20	26	174	177	50000
10940	10941	M20X150	49	150	Ø 160	20	M20	26	199	202	50000
10942	10943	M20X175	49	175	Ø 160	20	M20	26	224	227	50000
10944	10945	M20X200	49	200	Ø 160	20	M20	26	249	252	50000
10946	10947	M24X75	49	75	Ø 160	20	M24	26	124	127	60000
10948	10949	M24X100	49	100	Ø 160	20	M24	26	149	152	60000
10950	10951	M24X125	49	125	Ø 160	20	M24	26	174	177	60000
* 10952	10953	M24X150	49	150	Ø 160	20	M24	26	199	202	60000
10954	10955	M24X175	49	175	Ø 160	20	M24	26	224	227	60000
* 10956	10957	M24X200	49	200	Ø 160	20	M24	26	249	252	60000
10958	10959	M30X100	49	100	Ø 160	26	M30	26	149	152	70000
10960	10961	M30X125	49	125	Ø 160	26	M30	26	174	177	70000
* 10962	10963	M30X150	49	150	Ø 160	26	M30	26	199	202	70000
10964	10965	M30X175	49	175	Ø 160	26	M30	26	224	227	70000
* 10966	10967	M30X200	49	200	Ø 160	26	M30	26	249	252	70000
10968	10969	M30X225	49	225	Ø 160	26	M30	26	274	277	70000
10970	10971	M30X250	49	250	Ø 160	26	M30	26	299	302	70000
10972	10973	M36x150	51	150	Ø 160	32	M36	26	201	204	80000
10974	10975	M36x200	51	200	Ø 160	32	M36	26	251	254	80000

* Disponibile con Filettatura a passo fine. Aggiungere "/P2" al codice
Available with Thin pitch thread. Please, add "/P2" to the code

▪ Stainless steel base in 1.4301 (1.4401 on specific request). On request non-skid plate in NBR rubber 70 shore is available (Standard code = without rubber). Stainless steel screw in 1.4301 (1.4401 on specific request). The leveling element could be supplied, on request, with steel nut.

▪ Load values above mentioned have to be considered referring to static conditions calculated at the half of the screw length. In conditions of vibrations or in presence of dynamic loads these values should be reduced. For further information consult our technical office. We cannot accept responsibility for mounts that have been tampered or modified