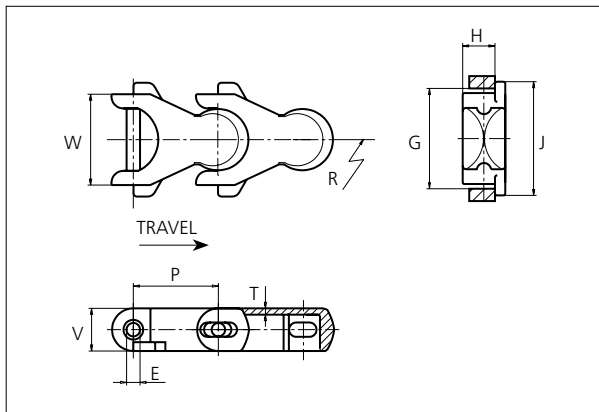


## uni Flex Plastic Chain

Series **uni 1701** Type **Tab**



### uni Flex Plastic Chain

Side flexing chain  
 Pitch: 50.0 mm (1.97 in)  
 Backflex radius: 75.0 mm (3.00 in)  
 Permissible tensile strength:  
 POM material 4000 N (899 lbf)  
  
 Delivery: 6.1 m (20.0 ft)  
 No. of links/box: 122

E		G		H		J		P		T		V	
mm	in	mm	in	mm	in	mm	in	mm	in	mm	in	mm	in
8.0	0.31	56.0	2.20	19.0	0.75	66.7	2.63	50.0	1.97	3.9	0.15	25.0	0.98

All dimensions are for chains in POM material.

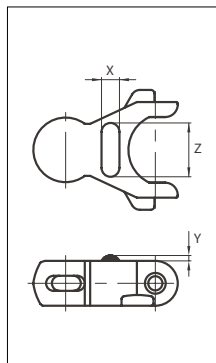
Width (W)		Material & color	Pin material	Weight		Min. radius (R)	
mm	in			kg/m	lb/ft	mm	in
53.3	2.10	POM-D <b>W</b> POM-D <b>G</b> POM-LF <b>BR</b>	<b>SS304</b>	1.5	1.01	150.0	5.91

Non standard material and color: See uni Material and Color Overview.

Non standard pin material: See uni Material and Color Overview.

### Accessories

#### Rubber Top



When ordering, please state the required distance between the Rubber Top.

Other Non Standard rubber profiles:  
 See uni Rubber Profile Overview

Link material	Rubber material	X		Z		Y	
		mm	in	mm	in	mm	in
POM-D <b>W</b>	05 <b>I</b>	10.0	0.39	30.0	1.18	3.0	0.12

STANDARD

SIDE FLEXING

PITCH 50.0 MM/1.97 IN

Any questions? Please contact us.

## Sprocket

No of teeth	Pitch diameter		Overall-diameter		Min. ø bore		Max. ø bore		Hub-diameter		A-dimension		B-dimension		Molded PA66 LG	Molded Cast Iron	Machined PA66	Machined SS304
	mm	in	mm	in	mm	in	mm	in	mm	in	mm	in	mm	in	Molded	Molded	Machined	Machined
<b>Z8</b>	130.7	5.14	133.0	5.20	20.00	0.80	40.00	1.60	63.00	2.50	47.90	1.90	82.40	3.20	x	x	x	x
<b>Z10</b>	161.8	6.37	166.1	6.50	20.00	0.80	40.00	1.60	63.00	2.50	64.50	2.50	97.30	3.80	x	x	x	x
<b>Z12</b>	193.2	7.61	196.0	7.70	20.00	0.80	40.00	1.60	63.00	2.50	80.80	3.20	112.40	4.40	x	x	x	
<b>Z13</b>	208.9	8.22	214.0	8.40	20.00	0.80	40.00	1.60	63.00	2.50	88.90	3.50	120.10	4.70	x	x	x	

Non standard material and color:  
See uni Material and Color Overview.

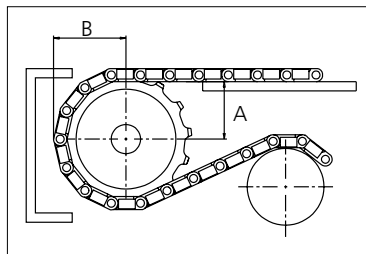
**Molded sprocket**



**Cast iron sprocket**



**Machined sprocket**



Please ensure that sufficient size shaft and keyway are chosen for corresponding load.

Other sprocket sizes are available upon request

Width of tooth: 15.8 mm/0.62 in

Width of sprocket: 42.3 mm/1.67 in

uni Retainer Rings: See uni Retainer Ring data sheet

uni Idler: See uni Idler data sheet

Any questions? Please contact us.

**Morskate Aandrijvingen BV**

Oosterveldsingel 47A  
7558 PJ Hengelo (Ov)  
The Netherlands

**NL**

T +31 (0)74 - 760 11 11  
info@morskateaandrijvingen.nl  
www.morskateaandrijvingen.nl

**DE**

T +49 692 - 222 34 95  
info@morskateantriebstechnik.de  
www.morskateantriebstechnik.de

**EN**

T +31 (0)74 - 760 11 11  
info@morskatedrivetechnology.com  
www.morskatedrivetechnology.com