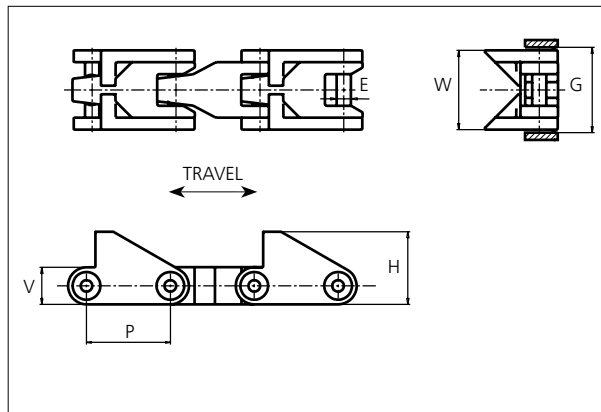


## uni Flex Plastic Chain

Series **uni 2600** Type **CV**



**uni Flex Plastic Chain**  
 Side flexing chain  
 Pitch: 63.5 mm (2.50 in)  
 Backflex radius: 75.0 mm (3.00 in)  
 Permissible tensile strength:  
 POM material: 6000 N (1349 lbf)  
  
 Delivery: 6.1 m (20.0 ft)  
 No. of links/box: 96

E		G		H		P		V	
mm	in	mm	in	mm	in	mm	in	mm	in
11.0	0.43	64.0	2.52	55.0	2.17	63.5	2.50	28.4	1.12

All dimensions are for chains in POM material.

Width (W)		Recommended Material & color	Recommended Pin material	Weight	
mm	in			kg/m	lb/ft
61.5	2.42	POM-D <b>W</b>	<b>SS304</b>	2.1	1.41

Non standard material and color: See uni Material and Color Overview.

Non standard pin material: See uni Material and Color Overview.

NON STANDARD

SIDE FLEXING

PITCH 63.5 MM/2.50 IN

Any questions? Please contact us.

## Sprocket

No of teeth	Pitch diameter		Overall-diameter		Min. ø bore		Max. ø bore		Hub-diameter		A-dimension		B-dimension		Molded PA66 LG	Molded Cast iron	Machined SS304
	mm	in	mm	in	mm	in	mm	in	mm	in	mm	in	mm	in			
<b>Z6</b>	127.0	5.00	128.0	5.04	20.0	0.79	40.0	1.57	63.0	2.48	40.8	1.61	78.1	3.07	x	x	
<b>Z8</b>	165.9	6.53	168.9	6.65	20.0	0.79	50.0	1.97	73.5	2.89	62.5	2.46	97.5	3.84	x	x	x
<b>Z10</b>	205.5	8.09	210.5	8.29	20.0	0.79	50.0	1.97	73.5	2.89	83.5	3.29	117.2	4.61	x	x	
<b>Z11</b>	225.4	8.87	231.4	9.11	20.0	0.79	50.0	1.97	73.5	2.89	93.9	3.70	127.1	5.00	x	x	

Non standard material and color:  
See uni Material and Color Overview.

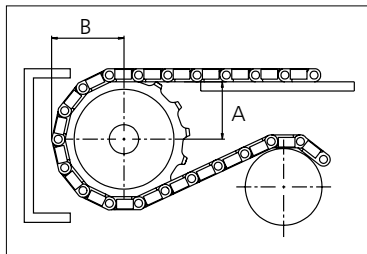
**Machined sprocket**



**Cast iron sprocket**



**SS304 sprocket**



Please ensure that sufficient size shaft and keyway are chosen for corresponding load.

Other sprocket sizes are available upon request

Width of tooth: 11.0 mm/0.43 in

Width of sprocket: 42.3 mm/1.66 in

uni Retainer Rings: See uni Retainer Ring data sheet

Any questions? Please contact us.

**Morskate Aandrijvingen BV**

Oosterveldsingel 47A  
7558 PJ Hengelo (Ov)  
The Netherlands

**NL**

T +31 (0)74 - 760 11 11  
info@morskateaanrijvingen.nl  
www.morskateaanrijvingen.nl

**DE**

T +49 692 - 222 34 95  
info@morskateantriebstechnik.de  
www.morskateantriebstechnik.de

**EN**

T +31 (0)74 - 760 11 11  
info@morskatedrivetechnology.com  
www.morskatedrivetechnology.com