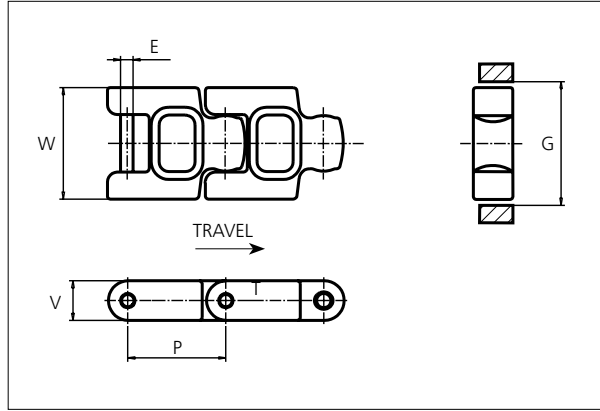


Special Plastic Chain

Series **uni 3200** Type -



Special Plastic Chain
 Straight running chain
 Pitch: 50.8 mm (2.00 in)
 Backflex radius: 60.0 mm (2.40 in)
 Permissible tensile strength:
 POM material: 3150 N (708 lbf)

 Delivery: 6.1 m (20.0 ft)
 No. of links/box: 120

STANDARD

E		G		P		V	
mm	in	mm	in	mm	in	mm	in
6.4	0.25	59.5	2.34	50.8	2.00	20.3	0.80

All dimensions are for chains in POM material.

Width (W)		Material & color	Pin material	Weight	
mm	in			kg/m	lb/ft
57.2	2.25	POM-DI G	SS304	57.2	2.25

Non standard material and color: See uni Material and Color Overview.
 Non standard pin material: See uni Material and Color Overview.

STRAIGHT RUNNING

PITCH 50.8 MM/2.00 IN

Any questions? Please contact us.


Morskate Aandrijvingen BV
 Oosterveldsingel 47A
 7558 PJ Hengelo (Ov)
 The Netherlands

NL
 T +31 (0)74 - 760 11 11
 info@morskateaandrijvingen.nl
 www.morskateaandrijvingen.nl

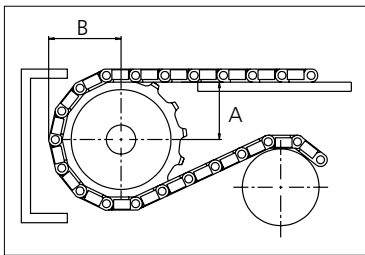
DE
 T +49 692 - 222 34 95
 info@morskateantriebstechnik.de
 www.morskateantriebstechnik.de

EN
 T +31 (0)74 - 760 11 11
 info@morskatedrivetechnology.com
 www.morskatedrivetechnology.com

Sprocket

No of teeth	Pitch diameter		Overall-diameter		Min. ø bore		Max. ø bore		Hub-diameter		A-dimension		B-dimension		Molded PA66 LG	Machined PA66 
	mm	in	mm	in	mm	in	mm	in	mm	in	mm	in	mm	in		
Z8	132.9	5.23	134.0	5.30	19.1	0.80	40.0	1.60	65.0	2.60	51.2	2.00	79.6	3.10		x
Z10	164.5	6.48	160.0	6.30	19.1	0.80	40.0	1.60	65.0	2.60	68.0	2.70	92.4	3.60		x
Z10	164.5	6.48	160.0	6.30	40.0	1.60	70.0	2.80	120.0	4.70	68.0	2.70	92.4	3.60		x
Z12	194.4	7.65	204.0	8.00	19.1	0.80	40.0	1.60	65.0	2.60	84.7	3.30	108.4	4.30		x
Z12	194.4	7.65	204.0	8.00	40.0	1.60	70.0	2.80	120.0	4.70	84.7	3.30	108.4	4.30		x
Z15	244.4	9.62	250.0	9.80	19.1	0.80	40.0	1.60	65.0	2.60	109.4	4.30	132.4	5.20		x
Z15	244.4	9.62	250.0	9.80	40.0	1.60	70.0	2.80	120.0	4.70	109.4	4.30	132.4	5.20		x

Machined sprocket



Please ensure that sufficient size shaft and keyway are chosen for corresponding load.

Non standard material and color:
See uni Material and Color Overview.

Other sprocket sizes are available upon request
Width of tooth: 25.0 mm/1.00 in
Width of sprocket: 42.3 mm/1.70 in
uni Retainer Rings: See uni Retainer Ring data sheet

Any questions? Please contact us.