

UCF p. 190 UFL p. 191 UCP p. 192 UCP p. 193 UCPA p. 194 UCPA p. 195



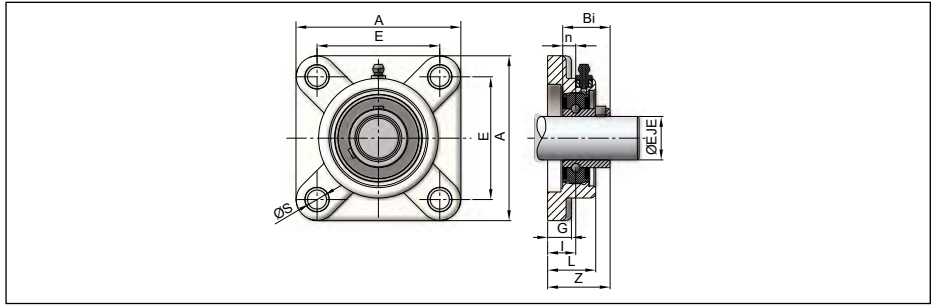
UCHP p. 196 UCHP p. 197 UCH p. 198 UCH p. 199 SQL p. 200 UFL-M p. 202



UCF p. 205 UFL p. 205 UCP p. 205 UCF/R p. 206



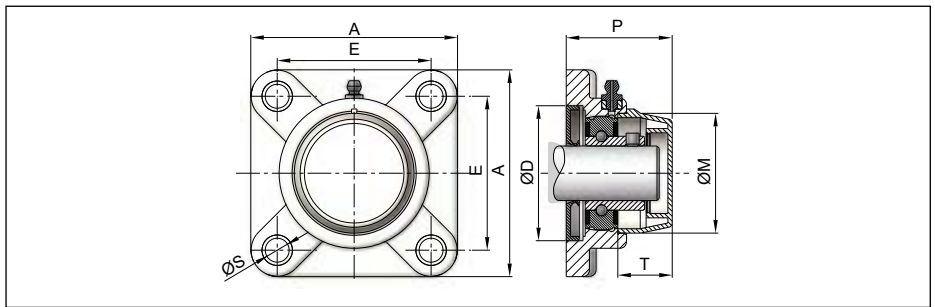
Square support UCF



Ref.	Shaft	A	E	G	L	ØS	Z	I	Bi	n	Kg.	Box
312120	Ø 20	86	63.5	14	27.8	11	36.25	18	24.7	12.7	0.3	10
⊕ 312125	Ø 25	95	70	14	28	11	36.7	17	29.3	14.3	0.35	10
⊕ 312130	Ø 30	107	83	14	31.5	11	41.4	19.2	32.9	15.9	0.5	5
312135	Ø 35	118	92	17	34.8	13	43.9	21.5	36.4	17.5	0.75	4
312140	Ø 40	130	102	17	37.5	14	48.7	23	40.5	19	0.95	4

Support material: special PP • Bearings material: steel • Bushings material: stainless steel | Dimensions in mm | ⊕ Best seller

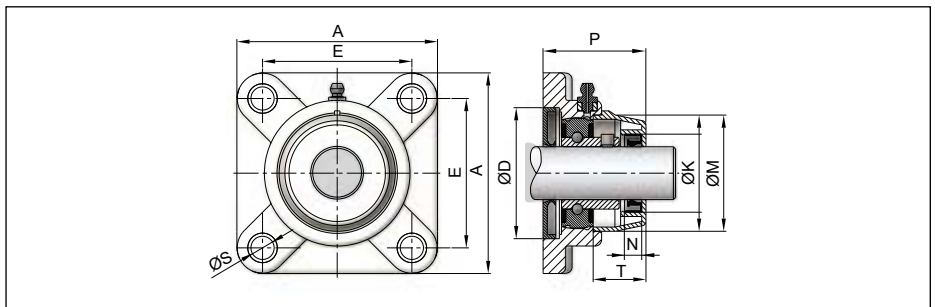
Square support with closed cover UCF



Ref.	Shaft	A	E	G	P	L	ØS	Z	I	Bi	n	ØM	T	ØD	ØK	N	Kg.	Box
312120C	Ø 20	86	63.5	14	48	27.8	11	36.25	18	24.7	12.7	49.8	23	52.2	-	-	0.35	10
312125C	Ø 25	95	70	14	49.8	28	11	36.7	17	29.3	14.3	54.8	25	62.2	-	-	0.4	5
312130C	Ø 30	107	83	14	58.3	31.5	11	41.4	19.2	32.9	15.9	63.8	30	72.2	-	-	0.55	5
312135C	Ø 35	118	92	17	63.1	34.8	13	43.9	21.5	36.4	17.5	74.3	32	82.2	-	-	0.8	4
312140C	Ø 40	130	102	17	71.1	37.5	14	48.7	23	40.5	19	83.8	37	88.2	-	-	1	4

Support material: special PP • Bearings material: steel • Bushings material: stainless steel | Dimensions in mm

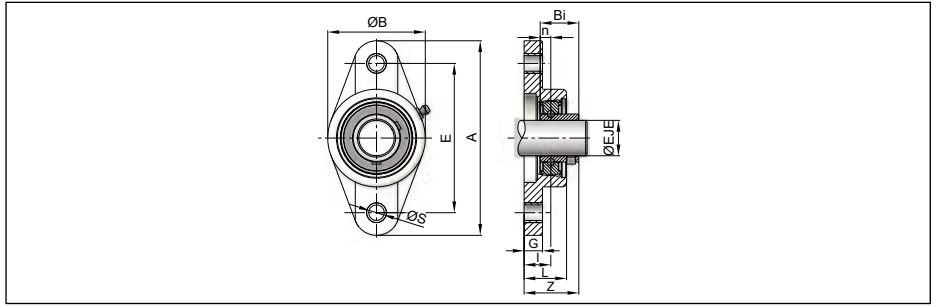
Square support with open cover UCF



Ref.	Shaft	A	E	G	P	L	ØS	Z	I	Bi	n	ØM	T	ØD	ØK	N	Kg.	Box
312120A	Ø 20	86	63.5	14	48	27.8	11	36.25	18	24.7	12.7	49.8	23	52.2	33	7.3	0.35	10
312125A	Ø 25	95	70	14	49.8	28	11	36.7	17	29.3	14.3	54.8	25	62.2	38	7.3	0.4	5
312130A	Ø 30	107	83	14	58.3	31.5	11	41.4	19.2	32.9	15.9	63.8	30	72.2	43	7.3	0.55	5
312135A	Ø 35	118	92	17	63.1	34.8	13	43.9	21.5	36.4	17.5	74.3	32	82.2	48	7.3	0.8	4
312140A	Ø 40	130	102	17	71.1	37.5	14	48.7	23	40.5	19	83.8	37	88.2	53	7.3	1	4

Support material: special PP • Bearings material: steel • Bushings material: stainless steel | Dimensions in mm

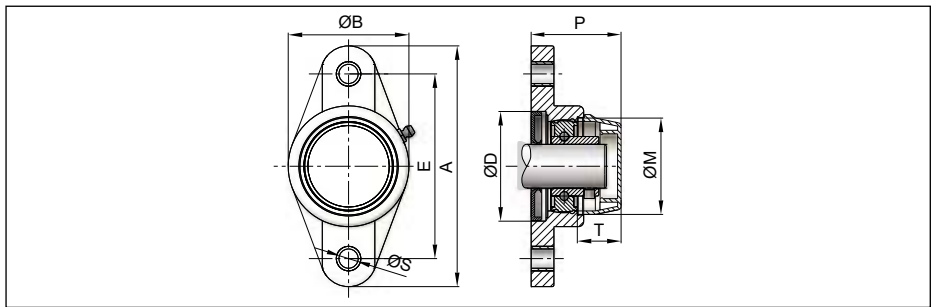
Oval support UFL



Ref.	Shaft	A	E	G	L	ØS	Z	I	Bi	n	ØB	Kg.	Box
324120	Ø 20	113.4	90	15	29	11	32.9	15.4	24.7	7	63.4	0.25	10
⊕ 324125	Ø 25	131.5	99	15.5	29.1	11	36.25	17	27	7.5	69.6	0.3	10
⊕ 324130	Ø 30	148.5	117	15.5	33	11	40.45	19	30.3	8	80.2	0.45	5
324135	Ø 35	164.5	130	18.5	32.8	13	41.25	18	32.9	8.5	91.2	0.65	5
324140	Ø 40	176.5	144	21.5	37.5	14	45.75	21.5	35.5	9	101.4	0.9	4

Support material: special PP • Bearings material: steel • Bushings material: stainless steel | Dimensions in mm | ⊕ Best seller

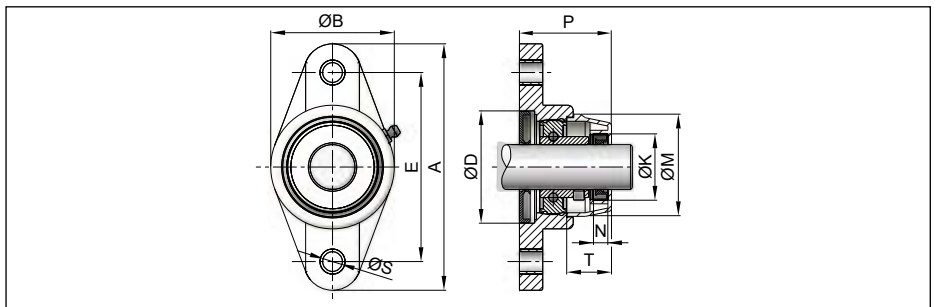
Oval support with closed cover UFL



Ref.	Shaft	A	E	G	P	L	ØS	Z	I	Bi	n	ØB	ØM	T	ØD	ØK	N	Kg.	Box
324120C	Ø 20	113.4	90	15	46.7	29	11	32.9	15.4	24.7	7	63.4	49.8	23	52.2	-	-	0.3	10
324125C	Ø 25	131.5	99	15.5	50.8	29.1	11	36.25	17	27	7.5	69.6	54.8	25	62.2	-	-	0.35	5
324130C	Ø 30	148.5	117	15.5	58.3	33	11	40.45	19	30.3	8	80.2	63.8	30	72.2	-	-	0.5	5
324135C	Ø 35	164.5	130	18.5	61.1	32.8	13	41.25	18	32.9	8.5	91.2	74.3	32	82.2	-	-	0.7	5
324140C	Ø 40	176.5	144	21.5	71.1	37.5	14	45.75	21.5	35.5	9	101.4	83.8	37	88.2	-	-	0.95	4

Support material: special PP • Bearings material: steel • Bushings material: stainless steel | Dimensions in mm

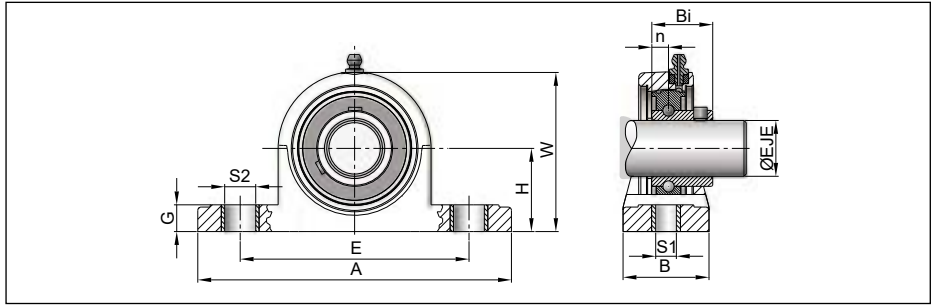
Oval support with open cover UFL



Ref.	Shaft	A	E	G	P	L	ØS	Z	I	Bi	n	ØB	ØM	T	ØD	ØK	N	Kg.	Box
324120A	Ø 20	113.4	90	15	46.7	29	11	32.9	15.4	24.7	7	63.4	49.8	23	52.2	33	7.3	0.3	10
324125A	Ø 25	131.5	99	15.5	50.8	29.1	11	36.25	17	27	7.5	69.6	54.8	25	62.2	38	7.3	0.35	5
324130A	Ø 30	148.5	117	15.5	58.3	33	11	40.45	19	30.3	8	80.2	63.8	30	72.2	43	7.3	0.5	5
324135A	Ø 35	164.5	130	18.5	61.1	32.8	13	41.25	18	32.9	8.5	91.2	74.3	32	82.2	48	7.3	0.7	5
324140A	Ø 40	176.5	144	21.5	71.1	37.5	14	45.75	21.5	35.5	9	101.4	83.8	37	88.2	53	7.3	0.95	4

Support material: special PP • Bearings material: steel • Bushings material: stainless steel | Dimensions in mm

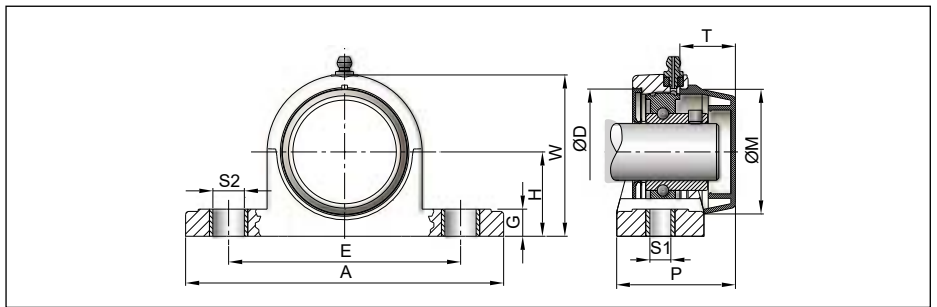
Omega support UCP



Ref.	Shaft	H	A	E	B	S1	S2	G	W	Bi	n	Kg.	Box
336120	Ø 20	34.8	127.1	95	38.1	11	14	16	65.5	24.7	7	0.3	10
336125	Ø 25	38	140.6	105	38.1	11	14	16	72.5	27	7.5	0.35	10
336130	Ø 30	44.4	163	119	46.1	14	18	21	85.5	30.3	8	0.55	5
336135	Ø 35	49.1	168	127	48.1	14	18	21	96	32.9	8.5	0.8	4
336140	Ø 40	50.7	183.4	137	54.1	14	18	21	100.5	35.5	9	1	4

Support material: special PP • Bearings material: steel • Bushings material: stainless steel | Dimensions in mm

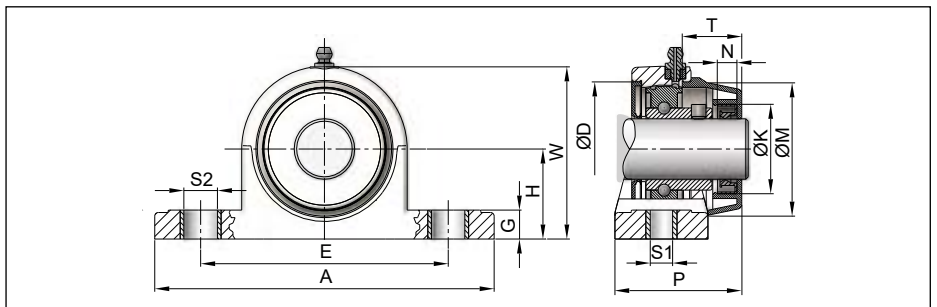
Omega support with closed cover UCP



Ref.	Shaft	P	H	A	E	B	S1	S2	G	W	Bi	n	ØD	T	ØD	ØK	N	Kg.	Box
336120C	Ø 20	52	34.8	127	95	38.1	11	14	16	65.5	24.7	7	49.8	23	52.2	-	-	0.35	10
336125C	Ø 25	54.6	38	140.5	105	38.1	11	14	16	72.5	27	7.5	54.8	25	62.2	-	-	0.4	5
336130C	Ø 30	64.2	44.4	163	119	46.1	14	18	21	85.5	30.3	8	63.8	30	72.2	-	-	0.6	5
336135C	Ø 35	68.3	49.1	168	127	48.1	14	18	21	96	32.9	8.5	74.3	32	82.2	-	-	0.85	4
336140C	Ø 40	78.5	50.7	183.4	137	54.1	14	18	21	100.5	35.5	9	83.8	37	88.2	-	-	1.05	4

Support material: special PP • Bearings material: steel • Bushings material: stainless steel | Dimensions in mm

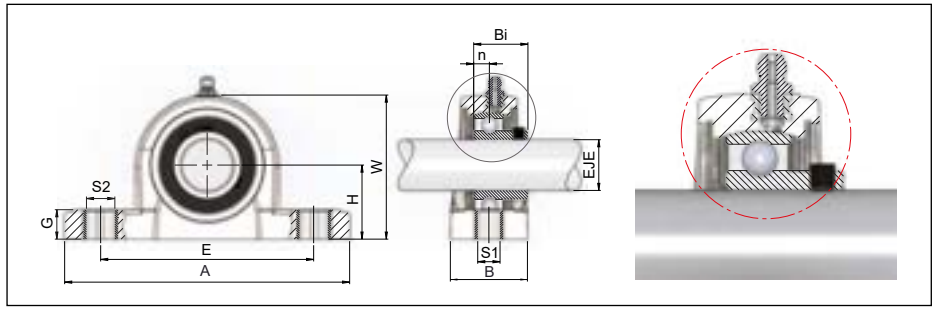
Omega support with open cover UCP



Ref.	Shaft	P	H	A	E	B	S1	S2	G	W	Bi	n	ØD	T	ØD	ØK	N	Kg.	Box
336120A	Ø 20	52	34.8	127	95	38.1	11	14	16	65.5	24.7	7	49.8	23	52.2	33	7.3	0.35	10
336125A	Ø 25	54.6	38	140.5	105	38.1	11	14	16	72.5	27	7.5	54.8	25	62.2	38	7.3	0.4	5
336130A	Ø 30	64.2	44.4	163	119	46.1	14	18	21	85.5	30.3	8	63.8	30	72.2	43	7.3	0.6	5
336135A	Ø 35	68.3	49.1	168	127	48.1	14	18	21	96	32.9	8.5	74.3	32	82.2	48	7.3	0.85	4
336140A	Ø 40	78.5	50.7	183.4	137	54.1	14	18	21	100.5	35.5	9	83.8	37	88.2	53	7.3	1.05	4

Support material: special PP • Bearings material: steel • Bushings material: stainless steel | Dimensions in mm

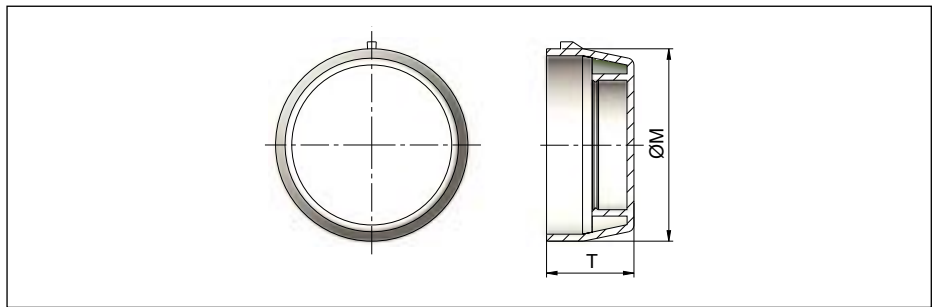
Omega support version with two covers and seal UCP



Ref.	Shaft	H	A	E	B	S1	S2	G	W	Bi	n	Kg.	Box
3361 DC 20	Ø 20	34.8	127	95	38	11	14	16	65.5	24.7	7	0.3	10
3361 DC 25	Ø 25	38	140.5	105	38	11	14	16	72.5	27	7.5	0.35	10
3361 DC 30	Ø 30	44.4	163	119	46	14	18	21	85.5	30.3	8	0.55	5
3361 DC 35	Ø 35	49.1	168	127	48	14	18	21	96	32.9	8.5	0.8	4
3361 DC 40	Ø 40	50.7	183.4	137	54	14	18	21	100.5	35.5	9	1	4

Support material: special PP • Bearings material: steel • Bushings material: stainless steel | Dimensions in mm

Close cover

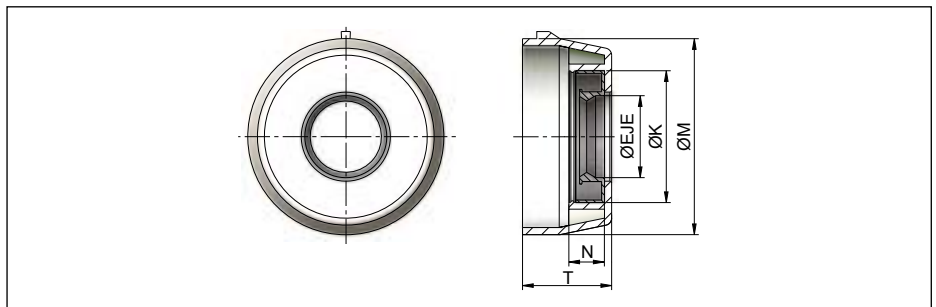


To use with models			
UCF	UFL	UCP	UCPA
UCHP	UCH	SQL	

Ref.	Shaft	ØK	ØM	T	N	Kg.	Box
393120C	Ø 20	-	49.8	23	-	0.01	5
⊕ 393125C	Ø 25	-	54.8	25	-	0.01	5
⊕ 393130C	Ø 30	-	63.8	30	-	0.01	5
393135C	Ø 35	-	74.3	32	-	0.01	5
393140C	Ø 40	-	83.8	37	-	0.01	5

Material: polyethylene. | Dimensions in mm | ⊕ Best seller

Open cover

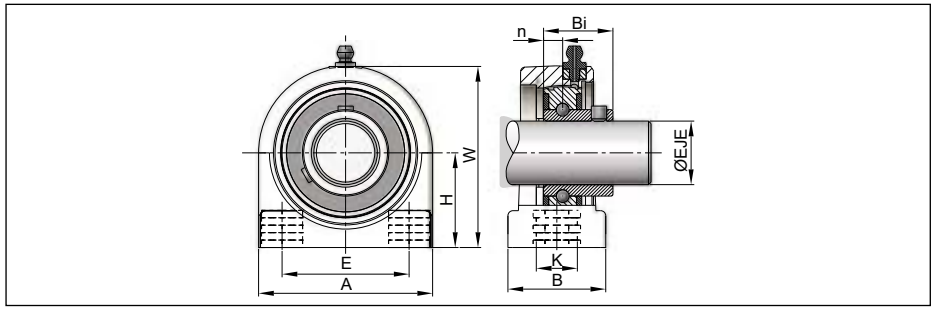


To use with models			
UCF	UFL	UCP	UCPA
UCHP	UCH	SQL	

Ref.	Shaft	ØK	ØM	T	N	Kg.	Box
393120A	Ø 20	33	49.8	23	7.3	0.01	5
⊕ 393125A	Ø 25	38	54.8	25	7.3	0.01	5
⊕ 393130A	Ø 30	43	63.8	30	7.3	0.01	5
393135A	Ø 35	48	74.3	32	7.3	0.01	5
393140A	Ø 40	53	83.8	37	7.3	0.01	5

Material: polyethylene. | Dimensions in mm | ⊕ Best seller

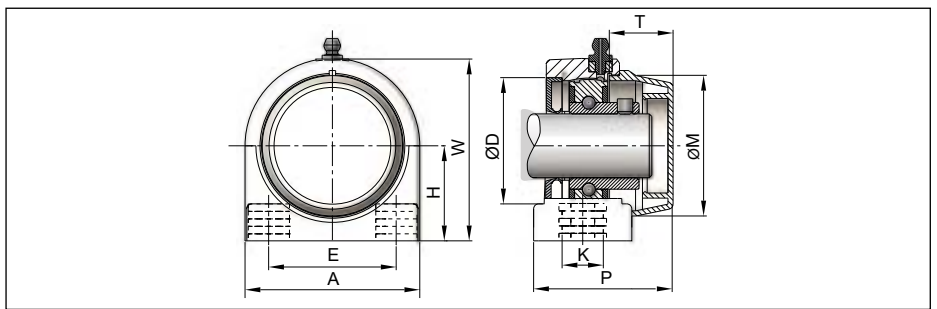
Compact support UCPA



Ref.	Shaft	H	A	E	B	K	W	Bi	n	Kg.	Box
348120	Ø 20	34.8	72.8	50.8	34.5	M8	67.5	24.7	7	0.35	10
348125	Ø 25	38.5	76.2	50.8	39.5	M10	75.5	27	7.5	0.4	10
348130	Ø 30	42.9	101	76.2	42.5	M11	84	30.3	8	0.55	5
348135	Ø 35	47.6	110	82.6	47.5	M12	95	32.9	8.5	0.8	5
348140	Ø 40	49.2	120	88.9	48	M13	100.5	35.5	9	0.95	4

Support material: special PP • Bearings material: steel • Bushings material: stainless steel | Dimensions in mm

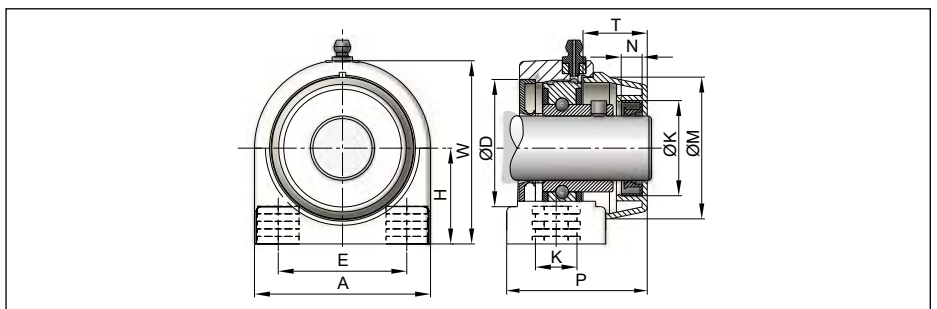
Compact support with closed cover UCPA



Ref.	Shaft	P	H	A	E	B	K	W	Bi	n	ØM	T	ØD	ØK	N	Kg.	Box
348120C	Ø 20	50.25	34.8	72.8	50.8	34.5	M8	67.5	24.7	7	49.8	23	52.2	-	-	0.4	10
348125C	Ø 25	55.75	38.5	76.2	50.8	39.5	M10	75.5	27	7.5	54.8	25	62.2	-	-	0.45	5
348130C	Ø 30	62.75	42.9	101	76.2	42.5	M10	84	30.3	8	63.8	30	72.2	-	-	0.6	5
348135C	Ø 35	68	47.6	110	82.6	47.5	M10	95	32.9	8.5	74.3	32	82.2	-	-	0.85	5
348140C	Ø 40	75	49.2	120	88.9	48	M10	100.5	35.5	9	83.8	37	88.2	-	-	1	4

Support material: special PP • Bearings material: steel • Bushings material: stainless steel | Dimensions in mm

Compact support with open cover UCPA



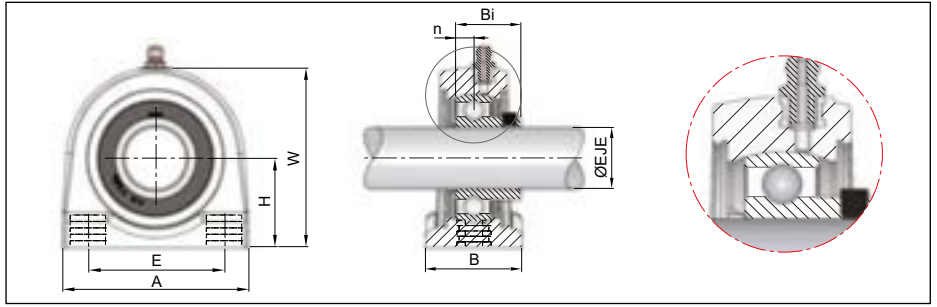
Ref.	Shaft	P	H	A	E	B	K	W	Bi	n	ØM	T	ØD	ØK	N	Kg.	Box
348120A	Ø 20	50.25	34.8	72.8	50.8	34.5	M8	67.5	24.7	7	49.8	23	52.2	33	7.3	0.4	10
348125A	Ø 25	55.75	38.5	76.2	50.8	39.5	M10	75.5	27	7.5	54.8	25	62.2	38	7.3	0.45	5
348130A	Ø 30	62.75	42.9	101	76.2	42.5	M10	84	30.3	8	63.8	30	72.2	43	7.3	0.6	5
348135A	Ø 35	68	47.6	110	82.6	47.5	M10	95	32.9	8.5	74.3	32	82.2	48	7.3	0.85	5
348140A	Ø 40	75	49.2	120	88.9	48	M10	100.5	35.5	9	83.8	37	88.2	53	7.3	1	4

Support material: special PP • Bearings material: steel • Bushings material: stainless steel | Dimensions in mm

BEARING SUPPORT



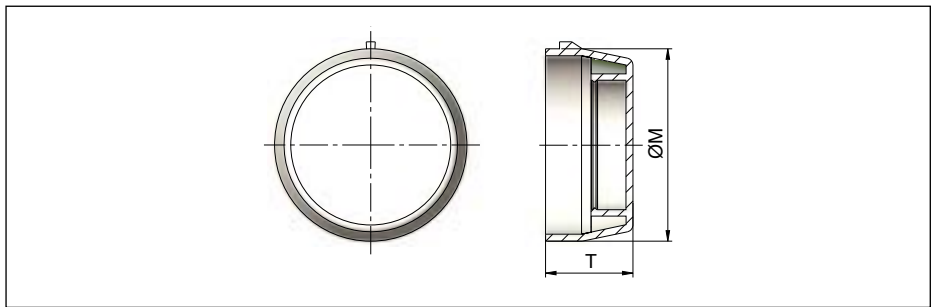
Compact support version with two covers and seal UCPA



Ref.	Shaft	H	A	E	B	K	W	Bi	n	Kg.	Box
3481 DC 20	Ø 20	34.8	72.8	50.8	34.5	M8	67.5	24.7	7	0.35	10
3481 DC 25	Ø 25	38.5	76.2	50.8	39.5	M10	75.5	27	7.5	0.4	10
3481 DC 30	Ø 30	42.9	101	76.2	42.5	M10	84	30.3	8	0.55	5
3481 DC 35	Ø 35	47.6	110	82.6	47.5	M10	95	32.9	8.5	0.8	5
3481 DC 40	Ø 40	49.2	120	88.9	48	M12	100.5	35.5	9	0.95	4

Support material: special PP • Bearings material: steel • Bushings material: stainless steel | Dimensions in mm

Close cover

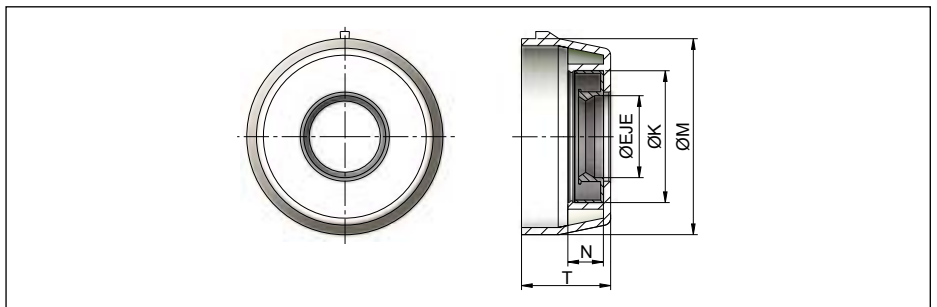


To use with models			
UCF	UFL	UCP	UCPA
UCHP	UCH	SQL	

Ref.	Shaft	ØK	ØM	T	N	Kg.	Box
393120C	Ø 20	-	49.8	23	-	0.01	5
393125C	Ø 25	-	54.8	25	-	0.01	5
393130C	Ø 30	-	63.8	30	-	0.01	5
393135C	Ø 35	-	74.3	32	-	0.01	5
393140C	Ø 40	-	83.8	37	-	0.01	5

Material: polyethylene. | Dimensions in mm

Open cover

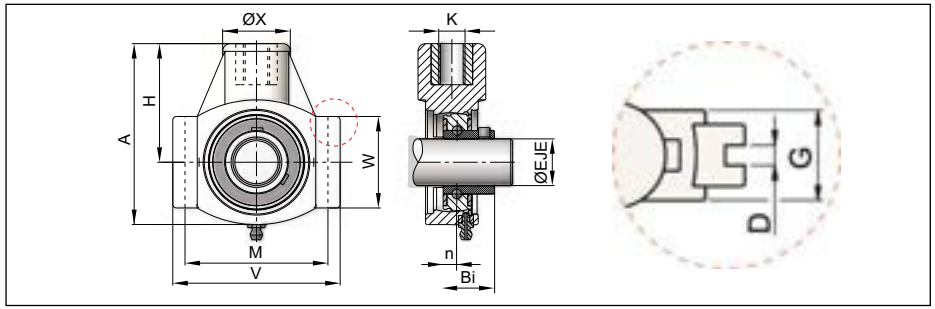


To use with models			
UCF	UFL	UCP	UCPA
UCHP	UCH	SQL	

Ref.	Shaft	ØK	ØM	T	N	Kg.	Box
393120A	Ø 20	33	49.8	23	7.3	0.01	5
393125A	Ø 25	38	54.8	25	7.3	0.01	5
393130A	Ø 30	43	63.8	30	7.3	0.01	5
393135A	Ø 35	48	74.3	32	7.3	0.01	5
393140A	Ø 40	53	83.8	37	7.3	0.01	5

Material: polyethylene. | Dimensions in mm

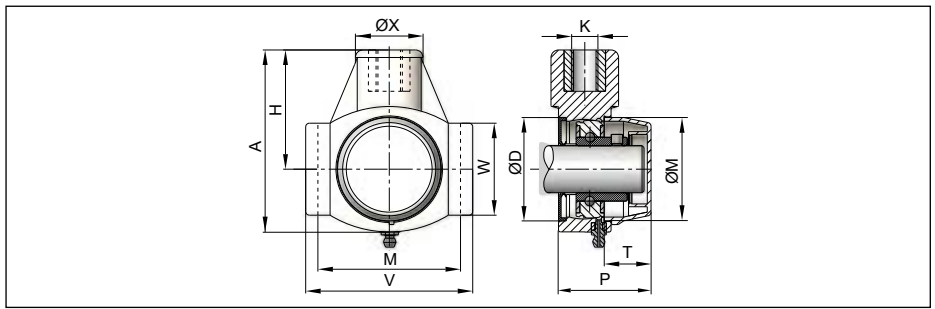
Tensile support with guide UCHP



Ref.	Shaft	H	A	D	ØX	V	W	M	G	K	Bi	n	Kg.	Box
351120	Ø 20	64	99	12	36	89	47	76	27.5	M16	24.7	7	0.35	10
351125	Ø 25	64	99	12	36	89	47	76	27.5	M16	27	7.5	0.4	10
351130	Ø 30	76	125	12	40	102.5	63	89	34.5	M16	30.3	8	0.55	5
351135	Ø 35	76	125	12	40	102.5	63	89	34.5	M16	32.9	8.5	0.8	5
351140	Ø 40	85	140	16	40	113	80	102	34.5	M16	35.5	9	0.9	4

Support material: special PP • Bearings material: steel • Bushings material: stainless steel | Dimensions in mm

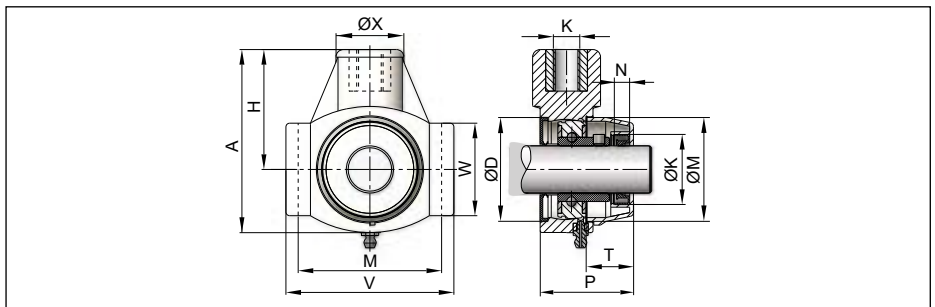
Tensile support with guide and closed cover UCHP



Ref.	Shaft	P	H	A	D	ØX	V	W	M	G	K	Bi	n	ØM	T	ØD	ØK	N	Kg.	Box
351120C	Ø 20	47.7	64	99	12	36	89	47	76	27.5	M16	24.7	7	49.8	23	52.2	-	-	0.4	10
351125C	Ø 25	49.5	64	99	12	36	89	47	76	27.5	M16	27	7.5	54.8	25	62.2	-	-	0.45	5
351130C	Ø 30	61.5	76	125	12	40	102.5	63	89	34.5	M16	30.3	8	63.8	30	72.2	-	-	0.6	5
351135C	Ø 35	63.7	76	125	12	40	102.5	63	89	34.5	M16	32.9	8.5	74.3	32	82.2	-	-	0.85	5
351140C	Ø 40	68.7	85	140	16	40	113	80	102	34.5	M16	35.5	9	83.8	37	88.2	-	-	0.95	4

Support material: special PP • Bearings material: steel • Bushings material: stainless steel | Dimensions in mm

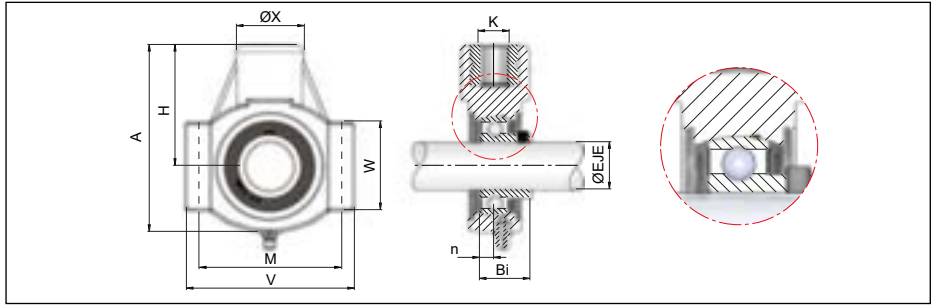
Tensile support with guide and open cover UCHP



Ref.	Shaft	P	H	A	D	ØX	V	W	M	G	K	Bi	n	ØM	T	ØD	ØK	N	Kg.	Box
351120A	Ø 20	47.7	64	99	12	36	89	47	76	27.5	M16	24.7	7	49.8	23	52.2	33	7.3	0.4	10
351125A	Ø 25	49.5	64	99	12	36	89	47	76	27.5	M16	27	7.5	54.8	25	62.2	38	7.3	0.45	5
351130A	Ø 30	61.5	76	125	12	40	102.5	63	89	34.5	M16	30.3	8	63.8	30	72.2	43	7.3	0.6	5
351135A	Ø 35	63.7	76	125	12	40	102.5	63	89	34.5	M16	32.9	8.5	74.3	32	82.2	48	7.3	0.85	5
351140A	Ø 40	68.7	85	140	16	40	113	80	102	34.5	M16	35.5	9	83.8	37	88.2	53	7.3	0.95	4

Support material: special PP • Bearings material: steel • Bushings material: stainless steel | Dimensions in mm

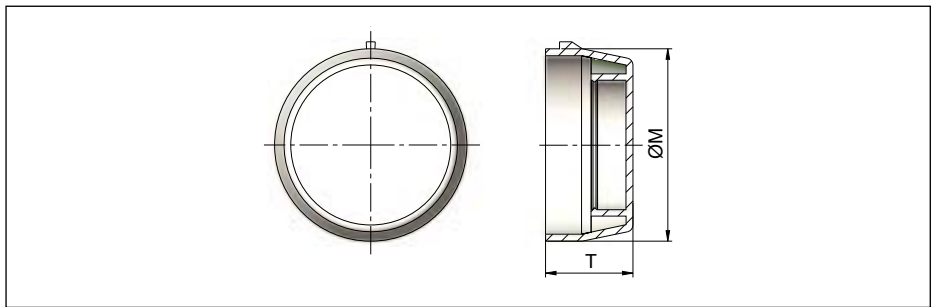
Tensile support with guide version with two covers and seal UCHP



Ref.	Shaft	H	A	D	ØX	V	W	M	G	K	Bi	n	Kg.	Box
3511 DC 20	Ø 20	64	99	12	36	89	47	76	27.5	M16	24.7	7	0.35	10
3511 DC 25	Ø 25	64	99	12	36	89	47	76	27.5	M16	27	7.5	0.4	10
3511 DC 30	Ø 30	76	125	12	40	102.5	63	89	34.5	M16	30.3	8	0.55	5
3511 DC 35	Ø 35	76	125	12	40	102.5	63	89	34.5	M16	32.9	8.5	0.8	5
3511 DC 40	Ø 40	85	140	16	40	113	80	102	34.5	M16	35.5	9	0.9	4

Support material: special PP • Bearings material: steel • Bushings material: stainless steel | Dimensions in mm

Close cover

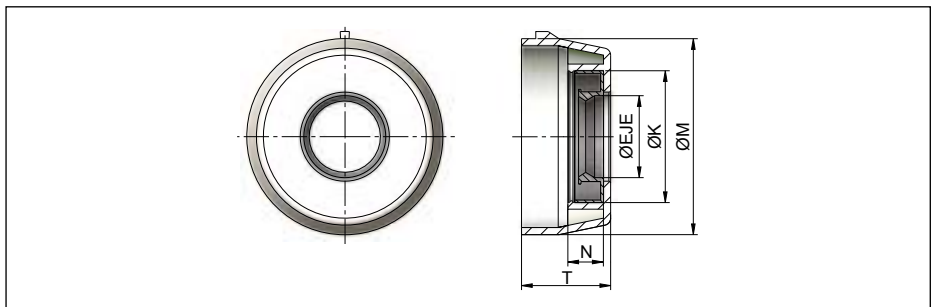


To use with models			
UCF	UFL	UCP	UCPA
UCHP	UCH	SQL	

Ref.	Shaft	ØK	ØM	T	N	Kg.	Box
393120C	Ø 20	-	49.8	23	-	0.01	5
393125C	Ø 25	-	54.8	25	-	0.01	5
393130C	Ø 30	-	63.8	30	-	0.01	5
393135C	Ø 35	-	74.3	32	-	0.01	5
393140C	Ø 40	-	83.8	37	-	0.01	5

Material: polyethylene. | Dimensions in mm

Open cover

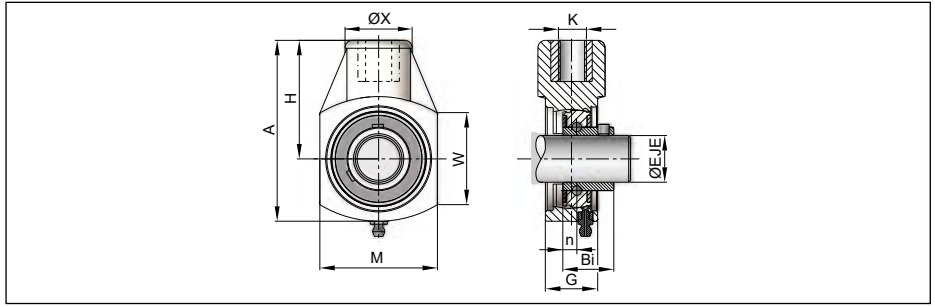


To use with models			
UCF	UFL	UCP	UCPA
UCHP	UCH	SQL	

Ref.	Shaft	ØK	ØM	T	N	Kg.	Box
393120A	Ø 20	33	49.8	23	7.3	0.01	5
393125A	Ø 25	38	54.8	25	7.3	0.01	5
393130A	Ø 30	43	63.8	30	7.3	0.01	5
393135A	Ø 35	48	74.3	32	7.3	0.01	5
393140A	Ø 40	53	83.8	37	7.3	0.01	5

Material: polyethylene. | Dimensions in mm

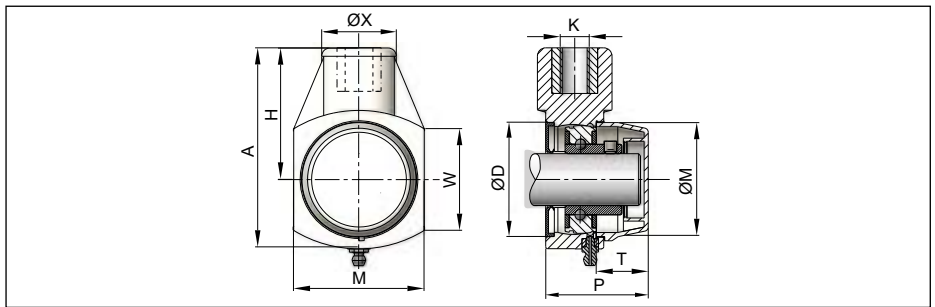
Tensile support without guide UCH



Ref.	Shaft	H	A	ØX	M	W	G	K	Bi	n	Kg.	Box
362120	Ø 20	64	99	36	65	47	27.5	M16	24.7	7	0.35	10
362125	Ø 25	64	99	36	74	47	27.5	M16	27	7.5	0.4	10
362130	Ø 30	76	125	40	90	63	34.5	M16	30.3	8	0.55	5
362135	Ø 35	76	125	40	90	63	34.5	M16	32.9	8.5	0.8	5
362140	Ø 40	85	140	40	100	80	34.5	M16	35.5	9	0.95	4

Support material: special PP • Bearings material: steel • Bushings material: stainless steel | Dimensions in mm

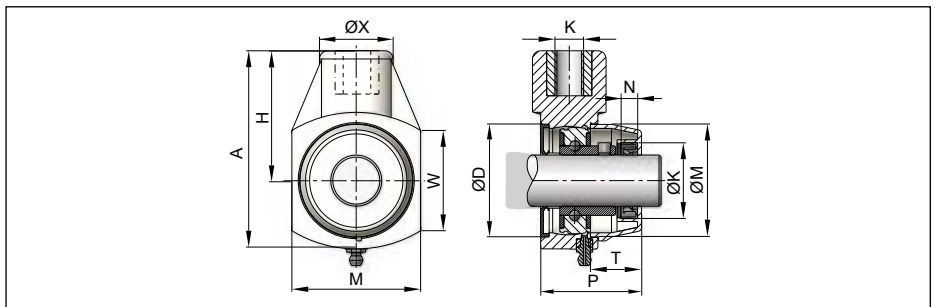
Tensile support without guide with closed cover UCH



Ref.	Shaft	P	H	A	ØX	M	W	G	K	Bi	n	ØM	T	ØD	ØK	N	Kg.	Box
362120C	Ø20	47.7	64	99	36	65	47	27.5	M16	24.7	7	49.8	23	52.2	-	-	0.4	10
362125C	Ø25	49.5	64	99	36	74	47	27.5	M16	27	7.5	54.8	25	62.2	-	-	0.45	5
362130C	Ø30	61.5	76	125	40	90	63	34.5	M16	30.3	8	63.8	30	72.2	-	-	0.6	5
362135C	Ø35	63.7	76	125	40	90	63	34.5	M16	32.9	8.5	74.3	32	82.2	-	-	0.8	5
362140C	Ø40	68.7	85	140	40	100	80	34.5	M16	35.5	9	83.8	37	88.2	-	-	1	4

Support material: special PP • Bearings material: steel • Bushings material: stainless steel | Dimensions in mm

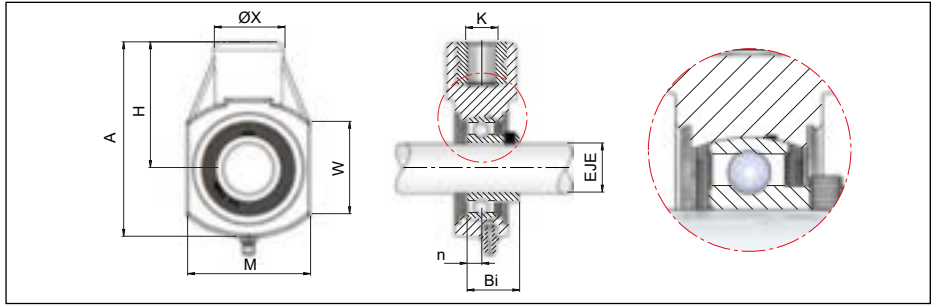
Tensile support without guide with open cover UCH



Ref.	Shaft	P	H	A	ØX	M	W	G	K	Bi	n	ØM	T	ØD	ØK	N	Kg.	Box
362120A	Ø 20	47.7	64	99	36	65	47	27.5	M16	24.7	7	49.8	23	52.2	33	7.3	0.4	10
362125A	Ø 25	49.5	64	99	36	74	47	27.5	M16	27	7.5	54.8	25	62.2	38	7.3	0.45	5
362130A	Ø 30	61.5	76	125	40	90	63	34.5	M16	30.3	8	63.8	30	72.2	43	7.3	0.6	5
362135A	Ø 35	63.7	76	125	40	90	63	34.5	M16	32.9	8.5	74.3	32	82.2	48	7.3	0.8	5
362140A	Ø 40	68.7	85	140	40	100	80	34.5	M16	35.5	9	83.8	37	88.2	53	7.3	1	4

Support material: special PP • Bearings material: steel • Bushings material: stainless steel | Dimensions in mm

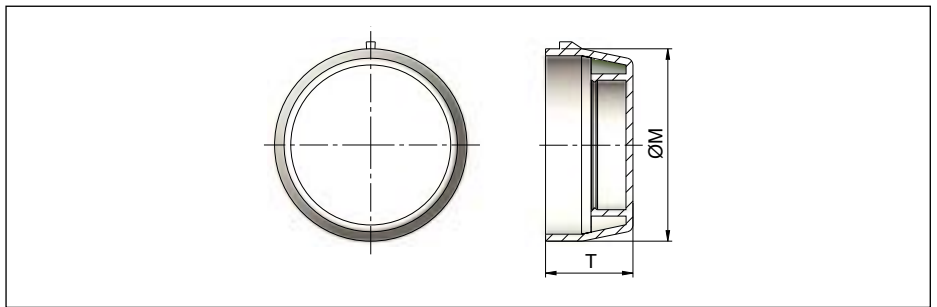
Tensile support without guide version with two covers and seal UCH



Ref.	Shaft	H	A	D	ØX	V	W	M	G	K	Bi	n	Kg.	Box
3621 DC 20	Ø 20	64	99	12	36	89	47	76	27.5	M16	24.7	7	0.35	10
3621 DC 25	Ø 25	64	99	12	36	89	47	76	27.5	M16	27	7.5	0.4	10
3621 DC 30	Ø 30	76	125	12	40	102.5	63	89	34.5	M16	30.3	8	0.55	5
3621 DC 35	Ø 35	76	125	12	40	102.5	63	89	34.5	M16	32.9	8.5	0.8	5
3621 DC 40	Ø 40	85	140	16	40	113	80	102	34.5	M16	35.5	9	0.95	4

Support material: special PP • Bearings material: steel • Bushings material: stainless steel | Dimensions in mm

Close cover

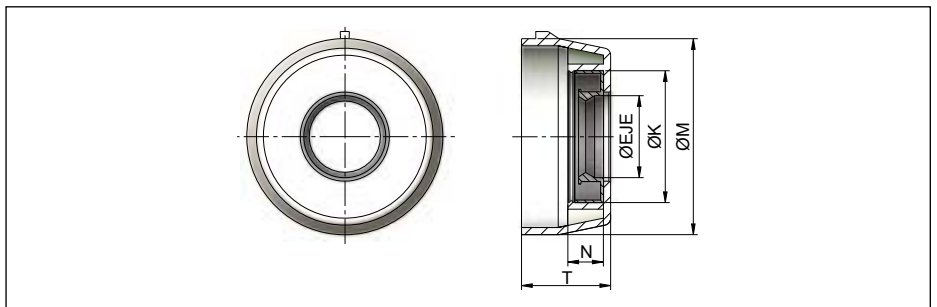


To use with models			
UCF	UFL	UCP	UCPA
UCHP	UCH	SQL	

Ref.	Shaft	ØK	ØM	T	N	Kg.	Box
393120C	Ø 20	-	49.8	23	-	0.01	5
393125C	Ø 25	-	54.8	25	-	0.01	5
393130C	Ø 30	-	63.8	30	-	0.01	5
393135C	Ø 35	-	74.3	32	-	0.01	5
393140C	Ø 40	-	83.8	37	-	0.01	5

Material: polyethylene. | Dimensions in mm

Open cover

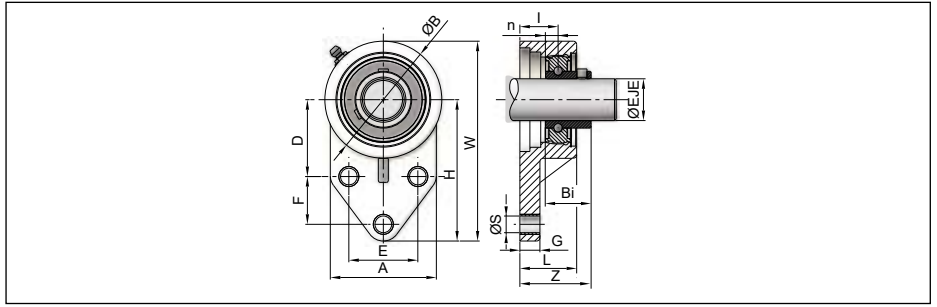


To use with models			
UCF	UFL	UCP	UCPA
UCHP	UCH	SQL	

Ref.	Shaft	ØK	ØM	T	N	Kg.	Box
393120A	Ø 20	33	49.8	23	7.3	0.01	5
393125A	Ø 25	38	54.8	25	7.3	0.01	5
393130A	Ø 30	43	63.8	30	7.3	0.01	5
393135A	Ø 35	48	74.3	32	7.3	0.01	5
393140A	Ø 40	53	83.8	37	7.3	0.01	5

Material: polyethylene. | Dimensions in mm

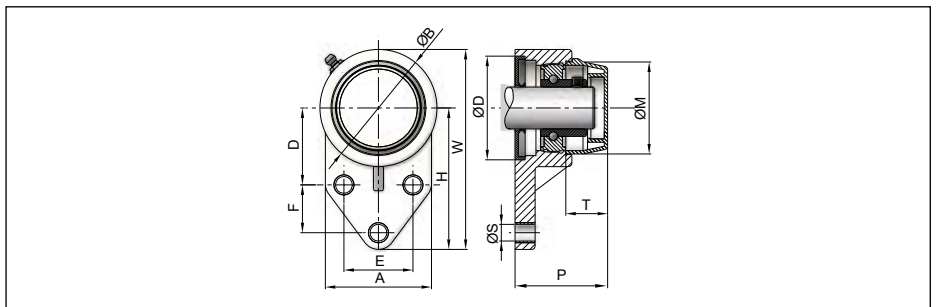
Head tensile support SQL



Ref.	Shaft	H	A	E	ØB	ØS	Z	L	G	W	D	F	I	Bi	n	Kg.	Box
383120	Ø 20	76.3	62	38.1	63.6	11	32.9	28	13	108	42.9	22.2	15.4	24.7	7	0.25	10
⊕ 383125	Ø 25	85.6	63.5	41.3	70	11	40.8	34	13	120.6	46	28.6	21.5	27	7.5	0.3	10
⊕ 383130	Ø 30	97	76	47.6	83	11	40.55	32	15.5	138.5	52.4	31.8	19.3	30.3	8	0.45	5
383135	Ø 35	109.5	89	50.8	95	14	44.95	36.5	17	157	60.3	31.8	21.7	32.9	8.5	0.65	5

Support material: special PP • Bearings material: steel • Bushings material: stainless steel | Dimensions in mm | ⊕ Best seller

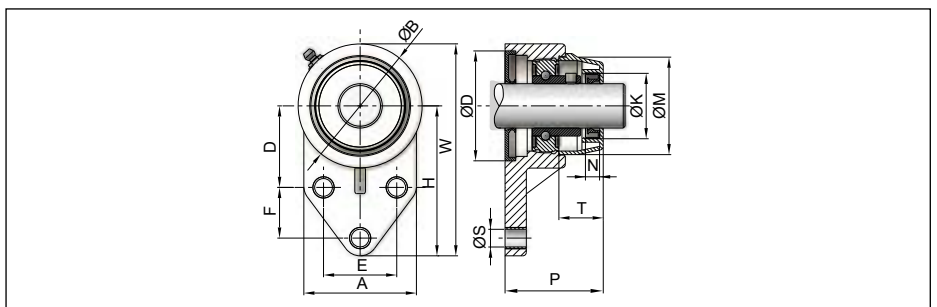
Head tensile support with closed cover SQL



Ref.	Shaft	H	P	A	E	ØB	ØS	Z	L	G	W	D	F	I	n	ØM	T	ØD	ØK	N	Kg.	Box
383120C	Ø 20	76.3	46.7	62	38.1	63.6	11	32.9	28	13	108	42.9	22.2	15.4	7	49.8	23	52.2	-	-	0.3	10
383125C	Ø 25	85.6	55.8	63.5	41.3	70	11	40.8	34	13	120.6	46	28.6	21.5	7.5	54.8	25	62.2	-	-	0.35	5
383130C	Ø 30	97	58.8	76	47.6	83	11	40.55	32	15.5	138.5	52.4	31.8	19.3	8	63.8	30	72.2	-	-	0.5	5
383135C	Ø 35	109.5	63.5	89	50.8	95	14	44.95	36.5	17	157	60.3	31.8	21.7	8.5	74.3	32	82.2	-	-	0.7	5

Support material: special PP • Bearings material: steel • Bushings material: stainless steel | Dimensions in mm

Head tensile support with open cover SQL



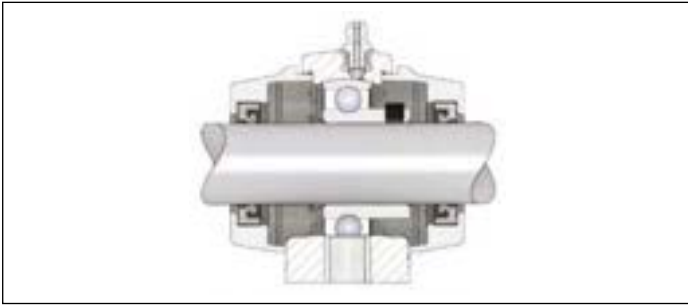
Ref.	Shaft	H	P	A	E	ØB	ØS	Z	L	G	W	D	F	I	n	ØM	T	ØD	ØK	N	Kg.	Box
383120A	Ø 20	76.3	46.7	62	38.1	63.6	11	32.9	28	13	108	42.9	22.2	15.4	7	49.8	23	52.2	33	7.3	0.3	10
383125A	Ø 25	85.6	55.8	63.5	41.3	70	11	40.8	34	13	120.6	46	28.6	21.5	7.5	54.8	25	62.2	38	7.3	0.35	5
383130A	Ø 30	97	58.8	76	47.6	83	11	40.55	32	15.5	138.5	52.4	31.8	19.3	8	63.8	30	72.2	43	7.3	0.5	5
383135A	Ø 35	109.5	63.5	89	50.8	95	14	44.95	36.5	17	157	60.3	31.8	21.7	8.5	74.3	32	82.2	48	7.3	0.7	5

Support material: special PP • Bearings material: steel • Bushings material: stainless steel | Dimensions in mm

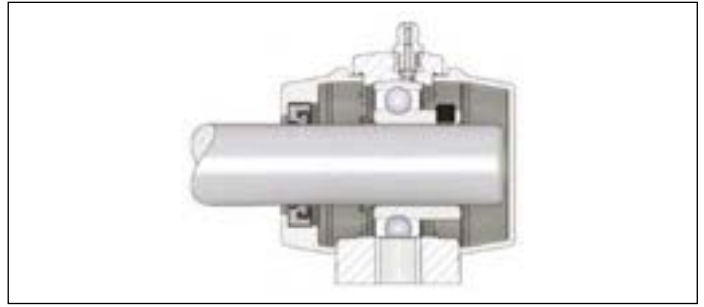
BEARING SUPPORT



UCP

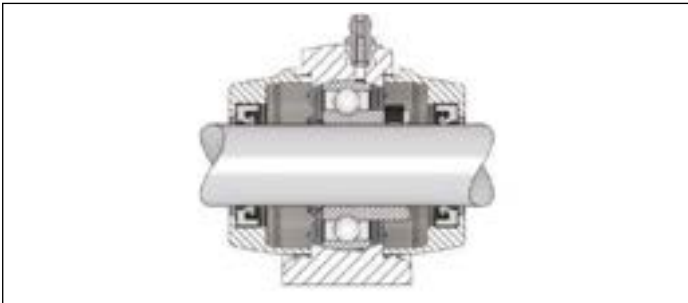


Example: Two covers. open / open

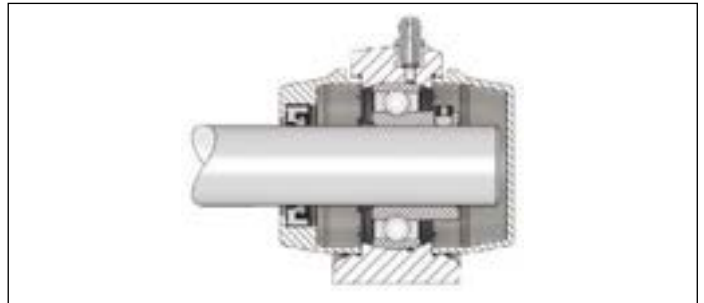


Example: Two covers. open / closed

UCPA



Example: Two covers. open / open



Example: Two covers. open / closed

UCHP



Example: Two covers. open / open



Example: Two covers. open / closed

UCH

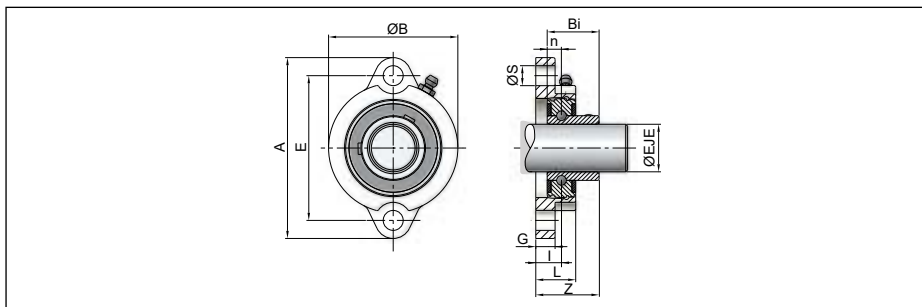


Example: Two covers. open / open



Example: Two covers. open / closed

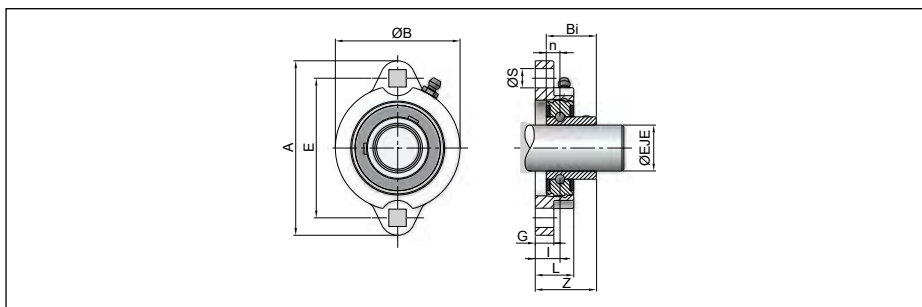
Mini oval support UFL-M



Ref.	Shaft	A	E	G	L	ØS	Z	I	ØB	Bi	n	Kg.	Box
375120	Ø 20	90.4	71	11	20	10.2	28.7	11.2	63.1	24.7	7	0.3	10
375125	Ø 25	95.4	76	11	21	10.5	30.8	11.5	68.8	27	7.5	0.35	10

Exclusively open model | Support material: special PP • Bearings material: steel • Bushings material: stainless steel | Dimensions in mm

Mini oval support UFL-MC



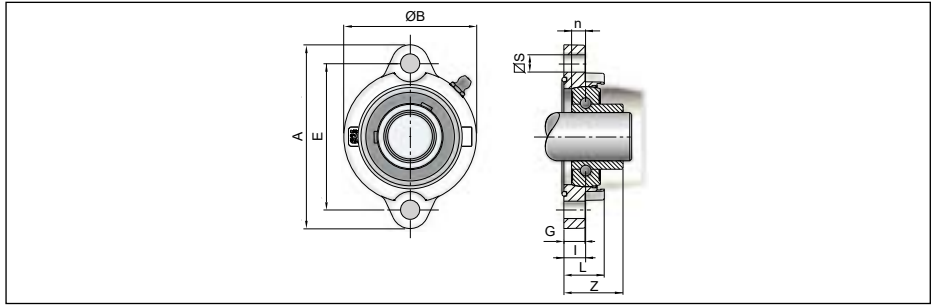
Ref.	Shaft	A	E	G	L	ØS	Z	I	ØB	Bi	n	Kg.	Box
375120S	Ø 20	90.4	71	11	20	9x9	28.7	11.2	63.1	24.7	7	0.3	10
375125S	Ø 25	95.4	76	11	21	9x9	30.8	11.5	68.8	27	7.5	0.35	10

Support material: special PP • Bearings material: steel • Bushings material: stainless steel | Dimensions in mm

BEARING SUPPORT



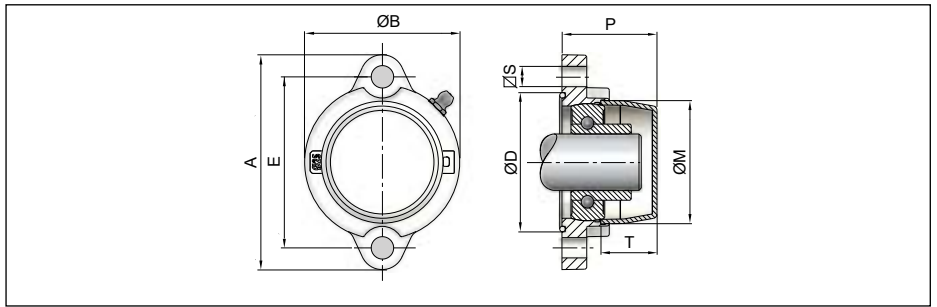
Mini oval support UFL-MT



Ref.	Shaft	A	E	G	L	ØS	Z	I	ØB	Bi	n	Kg.	Box
375120M	Ø 20	90.4	71	11	20	9x9	28.7	11.2	63.1	24.7	7	0.3	10
375125M	Ø 25	95.4	76	11	21	9x9	30.8	11.5	68.8	27	7.5	0.35	10

Model allowing the use of covers | Support material: special PP • Bearings material: steel • Bushings material: stainless steel | Dimensions in mm

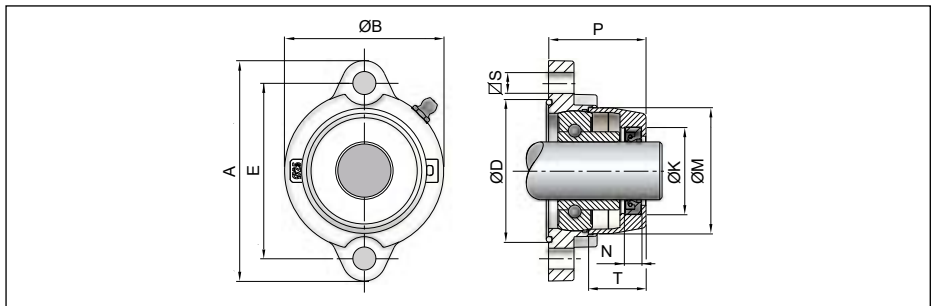
Mini oval support with closed cover UFL-MT



Ref.	Shaft	A	E	G	P	L	ØS	Z	I	Bi	n	ØB	ØM	T	ØD	ØK	N	Kg.	Box
375120M.C	Ø 20	90.4	71	11	39.4	20	10.2	28.7	11.2	24.7	7	63.1	49.8	23	56.8	-	-	0.35	10
375125M.C	Ø 25	95.4	76	11	42.2	21	10.5	30.8	11.5	27	7.5	68.8	54.8	25	61.8	-	-	0.4	10

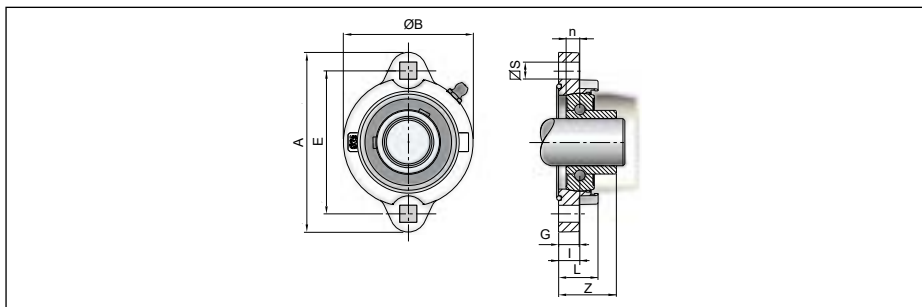
Support material: special PP • Bearings material: steel • Bushings material: stainless steel | Dimensions in mm

Mini oval support with open cover UFL-MT



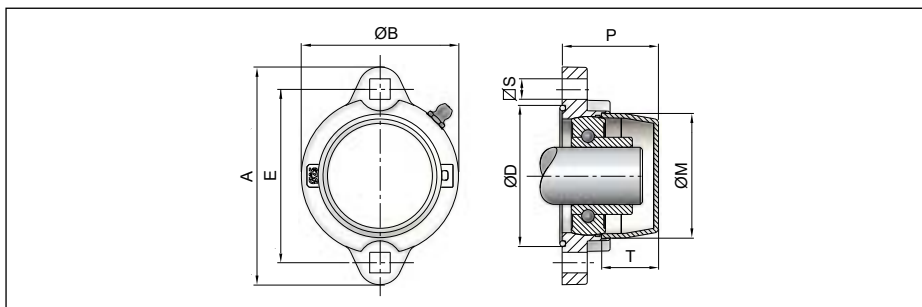
Ref.	Shaft	A	E	G	P	L	ØS	Z	I	Bi	n	ØB	ØM	T	ØD	ØK	N	Kg.	Box
375120M.A	Ø 20	90.4	71	11	39.4	20	10.2	28.7	11.2	24.7	7	63.1	49.8	23	56.8	33	7.3	0.35	10
375125M.A	Ø 25	95.4	76	11	42.2	21	10.5	30.8	11.5	27	7.5	68.8	54.8	25	61.8	38	7.3	0.4	10

Support material: special PP • Bearings material: steel • Bushings material: stainless steel | Dimensions in mm

Mini oval support UFL-MCT


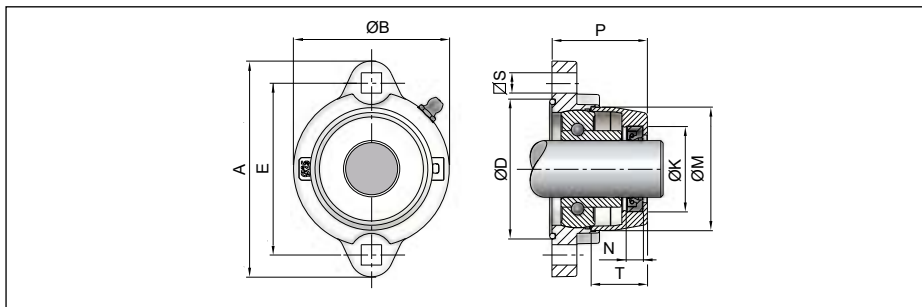
Ref.	Shaft	A	E	G	L	ØS	Z	I	ØB	Bi	n	Kg.	Box
375120SMC	Ø 20	90.4	71	11	20	9x9	28.7	11.2	63.1	24.7	7	0.3	10
375125SMC	Ø 25	95.4	76	11	21	9x9	30.8	11.5	68.8	27	7.5	0.35	10

Model allowing the use of covers | Support material: special PP • Bearings material: steel • Bushings material: stainless steel | Dimensions in mm

Mini oval support with closed cover UFL-MCT


Ref.	Shaft	A	E	G	P	L	ØS	Z	I	Bi	n	ØB	ØM	T	ØD	ØK	N	Kg.	Box
375120SMC.C	Ø 20	90.4	71	11	39.4	20	9	28.7	11.2	24.7	7	63.1	49.8	23	56.8	-	-	0.35	10
375125SMC.C	Ø 25	95.4	76	11	42.2	21	9	30.8	11.5	27	7.5	68.8	54.8	25	61.8	-	-	0.4	10

Support material: special PP • Bearings material: steel • Bushings material: stainless steel | Dimensions in mm

Mini oval support with open cover UFL-MCT


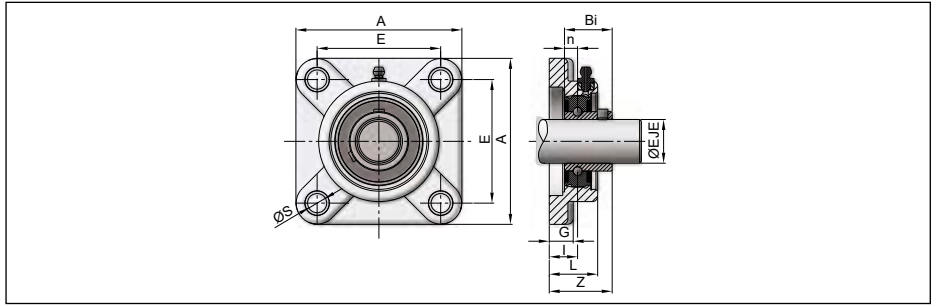
Ref.	Shaft	A	E	G	P	L	ØS	Z	I	Bi	n	ØB	ØM	T	ØD	ØK	N	Kg.	Box
375120SMC.A	Ø 20	90.4	71	11	39.4	20	9	28.7	11.2	24.7	7	63.1	49.8	23	56.8	33	7.3	0.35	10
375125SMC.A	Ø 25	95.4	76	11	42.2	21	9	30.8	11.5	27	7.5	68.8	54.8	25	61.8	38	7.3	0.4	10

Support material: special PP • Bearings material: steel • Bushings material: stainless steel | Dimensions in mm

BEARING SUPPORT



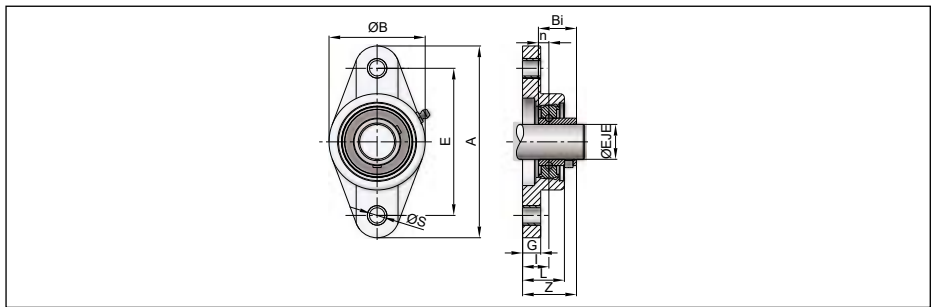
Square support UCF



Ref.	Shaft	A	E	G	L	ØS	Z	I	Kg.	Box
312120MTSS	Ø 20	86	63.5	11	25	12	33.3	15	0.6	10
312125MTSS	Ø 25	95	70	13	26.5	12	35.8	16	0.7	10
312130MTSS	Ø 30	108	82.5	13	30	15	40.2	18	1	5
312135MTSS	Ø 35	117	92	14	33	15	44.4	19	1.5	4
312140MTSS	Ø 40	130	101.5	14	36	15	51.2	21	1.9	4

Support and bearings material: stainless steel | Dimensions in mm

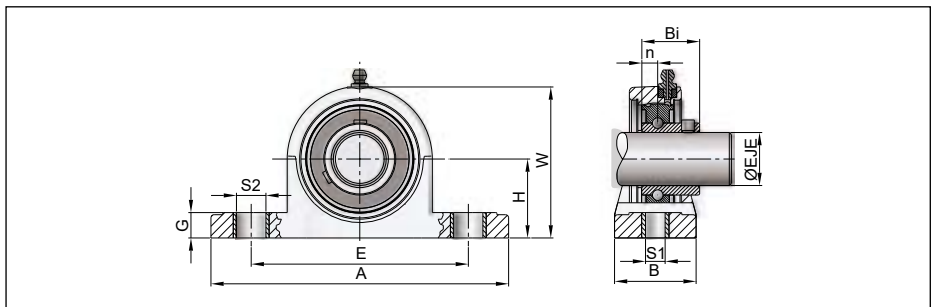
Oval support UFL



Ref.	Shaft	A	E	G	L	ØS	Z	I	ØB	Kg.	Box
324120MTSS	Ø 20	112	90	11	25	12	33.2	15	60	0.45	10
324125MTSS	Ø 25	124	99	13	26.5	12	35.8	16	68	0.55	10
324130MTSS	Ø 30	141	116.5	13	30	15	40.2	18	80	0.8	5
324135MTSS	Ø 35	155.5	130	14	33	15	44.4	19	90	1.2	4
324140MTSS	Ø 40	171.5	143.5	14	36	15	51.2	21	100	1.6	4

Support and bearings material: stainless steel | Dimensions in mm

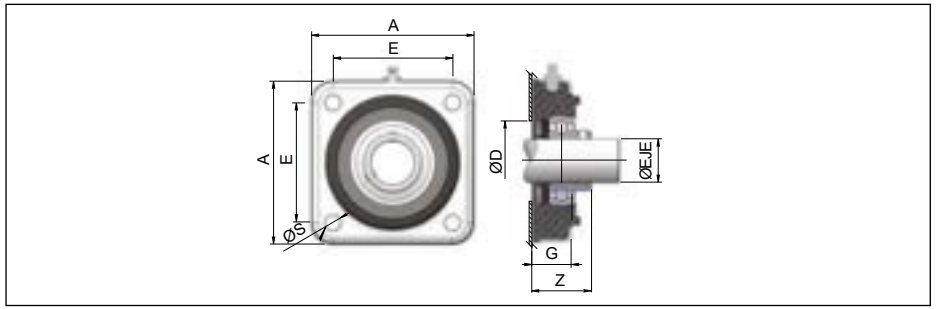
Omega support UCP



Ref.	Shaft	H	A	E	B	S1	S2	G	W	Bi	n	Kg.	Box
336120MTSS	Ø 20	33.3	127	95	38	12	19	15	65	31	12.7	0.75	10
336125MTSS	Ø 25	36.5	140	105	38	12	19	16	70	34.1	14.3	0.85	10
336130MTSS	Ø 30	42.9	165	121	48	15	21	18	83	38.1	15.9	1.4	5
336135MTSS	Ø 35	47.6	167	127	48	15	21	19	94	42.9	17.5	2	4
336140MTSS	Ø 40	49.2	184	137	54	15	23	19	100	49.2	19	2.50	4

Support and bearings material: stainless steel | Dimensions in mm

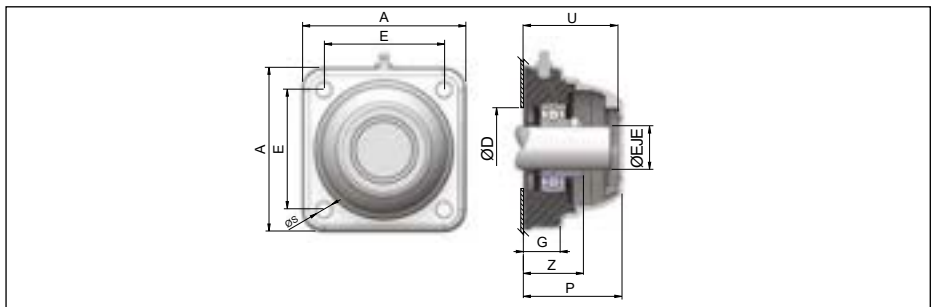
Square support UCF/R



Ref.	Shaft	A	E	G	ØS	Z	P	U	ØD		Kg.	Box
									Max.	Min.		
31R2730	Ø 30	113	83	27	11	41	68	65	60	50	0,88	4
31R2735	Ø 35	113	83	27	11	45	68	65	70	55	0,82	4
31R2740	Ø 40	113	83	27	11	48,5	68	65	78	65	0,75	4

Support material: special PP • Bearings material: steel • Bushings material: stainless steel | Dimensions in mm

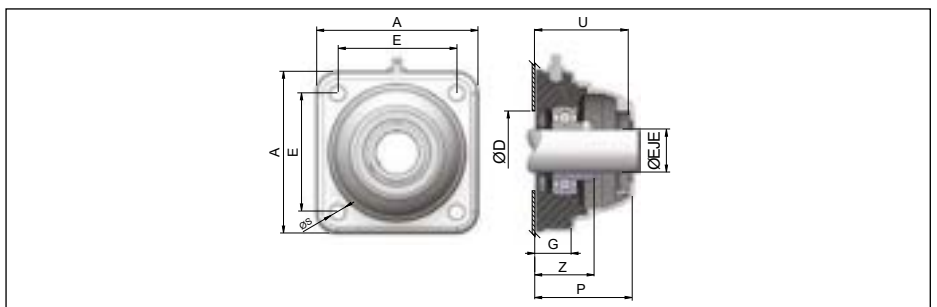
Square bearing housing with closed cover UCF/R



Ref.	Shaft	A	E	G	ØS	Z	P	U	ØD		Kg.	Box
									Max.	Min.		
31R2730C	Ø 30	113	83	27	11	41	68	65	60	50	0,94	4
31R2735C	Ø 35	113	83	27	11	45	68	65	70	55	0,87	4
31R2740C	Ø 40	113	83	27	11	48,5	68	65	78	65	0,8	4

Support material: special PP • Bearings material: steel • Bushings material: stainless steel | Dimensions in mm

Square bearing housing with open cover UCF/R



Ref.	Shaft	A	E	G	ØS	Z	P	U	ØD		Kg.	Box
									Max.	Min.		
31R2730A	Ø 30	113	83	27	11	41	68	65	60	50	0,94	4
31R2735A	Ø 35	113	83	27	11	45	68	65	70	55	0,87	4
31R2740A	Ø 40	113	83	27	11	48,5	68	65	78	65	0,8	4

Support material: special PP • Bearings material: steel • Bushings material: stainless steel | Dimensions in mm

BEARING SUPPORT

