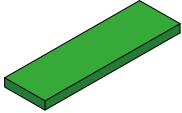
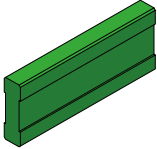
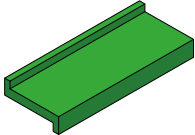
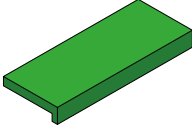
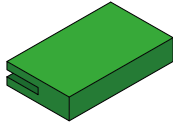
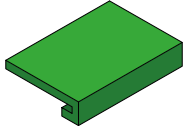
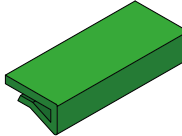
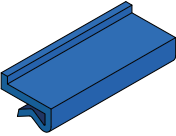
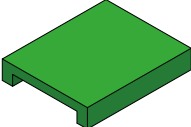
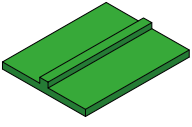
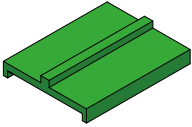
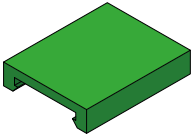
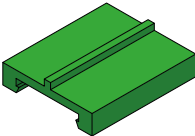
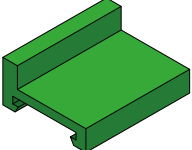
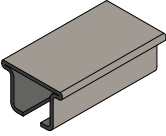
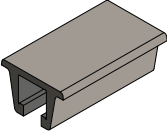
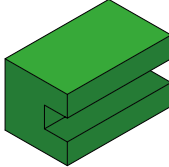
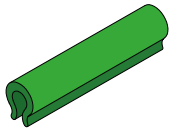
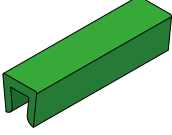
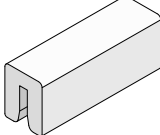
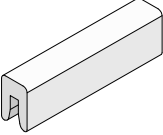
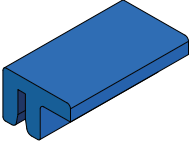
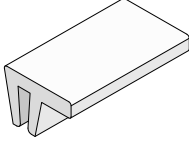
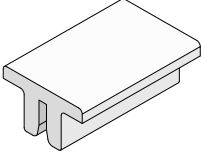
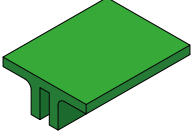
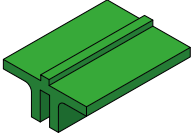
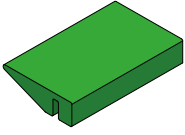
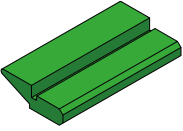
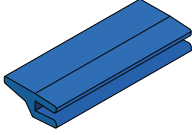
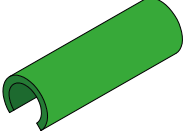
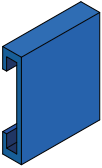
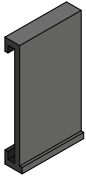
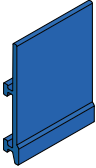
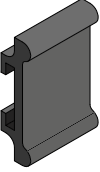
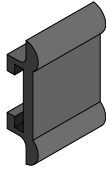
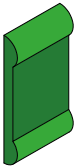
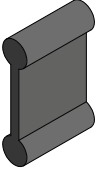
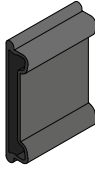
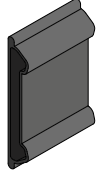
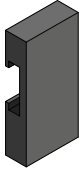
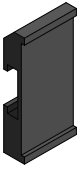
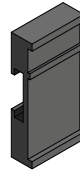
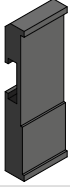
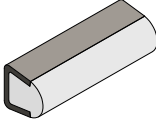
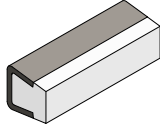
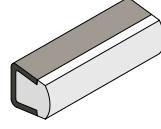
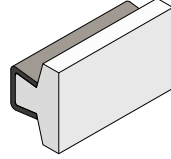
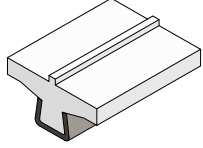
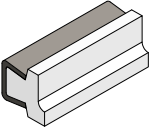
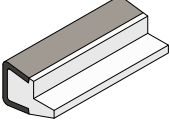
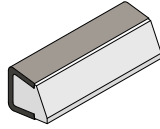
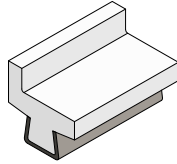
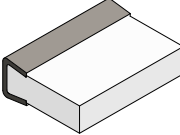
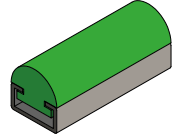
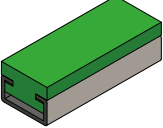
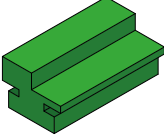
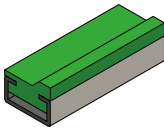
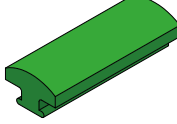
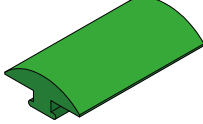
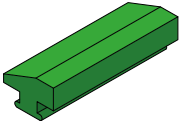
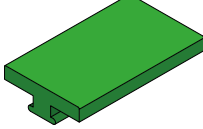
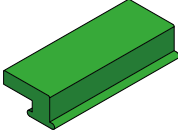
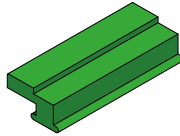
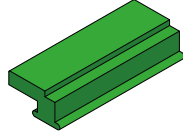
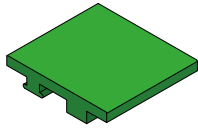
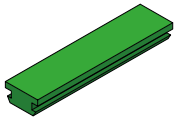
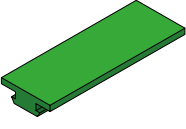
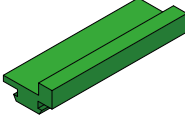
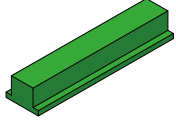
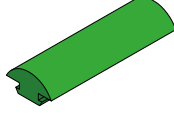
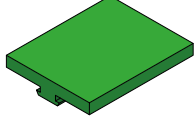
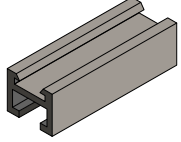
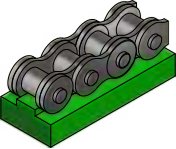
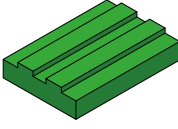
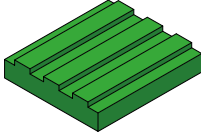
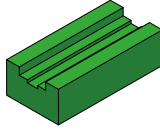
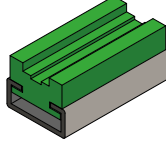
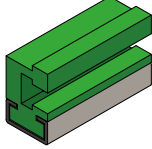


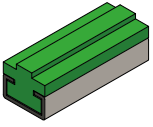
p. 4	p. 4	p. 4	p. 5	p. 5	p. 5
					
p. 5	p. 6	p. 6	p. 6	p. 6	p. 7
					
p. 7	p. 7	p. 7	p. 8	p. 8	p. 8
					
p. 8	p. 9	p. 9	p. 9	p. 9	p. 10
					
p. 10	p. 10	p. 11	p. 11	p. 11	p. 11
					
p. 12	p. 12	p. 12	p. 13	p. 13	p. 13
					



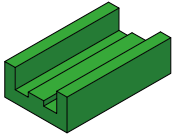
 p. 13	 p. 14	 p. 14	 p. 15	 p. 15	 p. 15
 p. 15	 p. 16	 p. 16	 p. 16	 p. 16	 p. 17
 p. 17	 p. 17	 p. 17	 p. 18	 p. 18	 p. 19
 p. 19	 p. 19	 p. 19	 p. 20	 p. 20	 p. 20
 p. 20	 p. 21	 p. 21	 p. 21	 p. 21	 p. 22
 p. 22	 p. 22	 p. 22	 p. 23	 p. 23	 p. 23
 p. 24	 p. 24	 p. 25	 p. 25	 p. 25	 p. 26



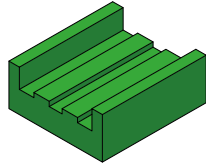
p. 26



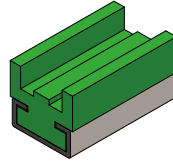
p. 27



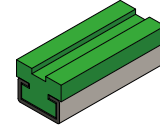
p. 27



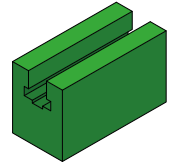
p. 27



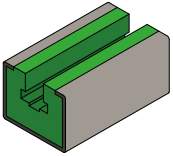
p. 28



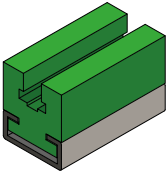
p. 28



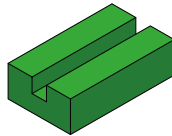
p. 28



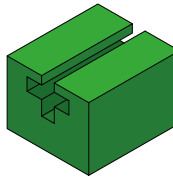
p. 29



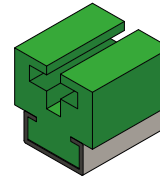
p. 29



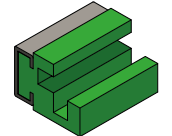
p. 30



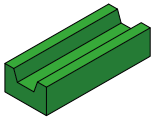
p. 30



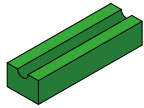
p. 30



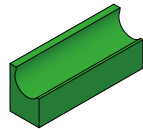
p. 31



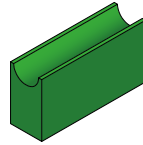
p. 31



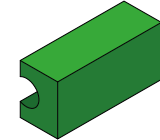
p. 31



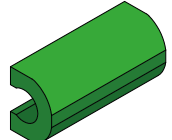
p. 31



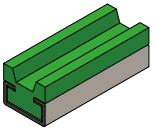
p. 32



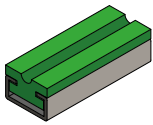
p. 32



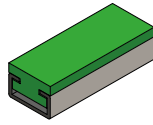
p. 33



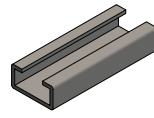
p. 33

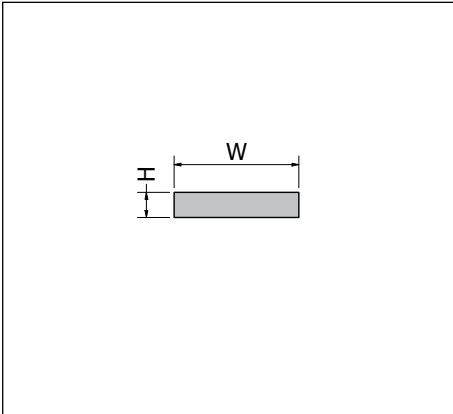


p. 34



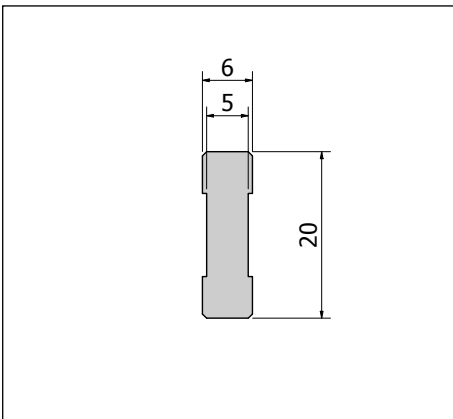
p. 34





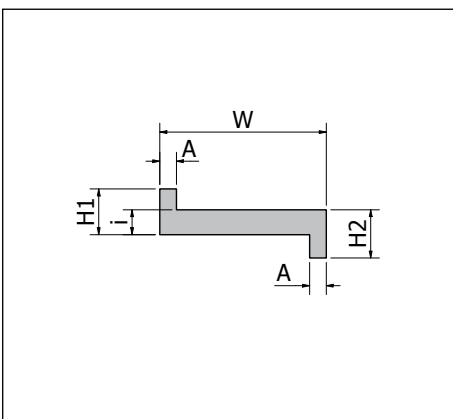
Ref.	W	H	Kg/m	Std.	MTO	Ref.	W	H	Kg/m	Std.	MTO
P#0098	10	2	0.02		□	P#0109	60	3	0.17	□■	
P#0090	15	2	0.03		□	P#0111	70	3	0.20	□■	
P#0091	20	2	0.04		□	P#0151	20	4	0.08		□
P#0092	25	2	0.05		□	P#0152	25	4	0.10		□
P#0093	30	2	0.06		□	P#0153	30	4	0.12		□
P#0094	35	2	0.07		□	P#0154	35	4	0.14		□
P#0095	40	2	0.08	□		⊕ P#0155	40	4	0.16	□■	
P#0096	45	2	0.09		□	P#0156	45	4	0.18		□
P#0097	50	2	0.10		□	P#0157	50	4	0.19		□
P#0100	15	3	0.05	□■	■	P#0120	15	5	0.07		■■
P#0101	20	3	0.06	□■	■	P#0121	20	5	0.10	■	■
P#0102	25	3	0.07	□■	■	P#0122	25	5	0.12	■	■
P#0103	30	3	0.09	□■	■	P#0123	30	5	0.14	■	■
P#0104	35	3	0.10	□■	■	P#0124	35	5	0.17	■	■
⊕ P#0105	40	3	0.11	□■	■	P#0125	40	5	0.19	■	■
P#0106	45	3	0.13	□■	■	P#0126	45	5	0.21		■■
⊕ P#0107	50	3	0.14	□■	■	⊕ P#0127	50	5	0.24	■	■

Standard length: 50 m (164 ft) | Standard material: UHMW-PE "DESLIDUR"  
 On demand options: Different colours available | Dimensions in mm | ⊕ Best seller  
 Replace # by colour code to complete the reference number | Colour codes: □ 1 | ■ 2 | ■ 3 | ■ 6



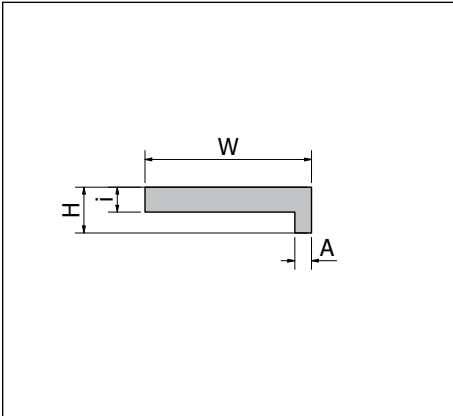
Ref.	L	Kg/m	Std.
P#0240	25	0.10	■

Standard material: UHMW-PE "DESLIDUR"  
 On demand options: Different colours available | Dimensions in mm | L dimension in meters  
 Replace # by colour code to complete the reference number | Colour codes: □ 1 | ■ 2 | ■ 3 | ■ 6  
**View related components on pages 80 - 83**



Ref.	W	H1	H2	i	A	L	Kg/m	Std.	MTO
⊕ P#0250	20	5.5	5.8	3	2	50	0.07	■	■
⊕ P#0253	23	9	7	4	3	50	0.12	■	■

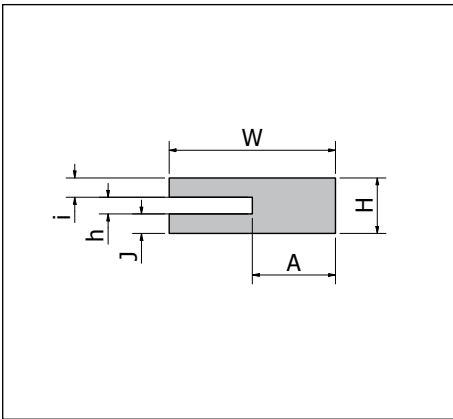
Standard material: UHMW-PE "DESLIDUR"  
 On demand options: Different colours available | Dimensions in mm | L dimension in meters | ⊕ Best seller  
 Replace # by colour code to complete the reference number | Colour codes: □ 1 | ■ 2 | ■ 3 | ■ 6



Ref.	W	H	i	A	L	Kg/m	Std.	MTO
⊕ P#0249	23	9	4	3	50	0.11	■	■
⊕ P#0254	20	5.5	3	2	50	0.06	■	■
P#0255	53	6	3	2	50	0.16	■	■
P#0256	23	7	4	4.8	50	0.11	■	■
P#0257L2	41	12	3	6	2	0.17	■	
P#0258	20	5.5	3	2.5	50	0.07		■

Standard material: UHMW-PE "DESLIDUR"

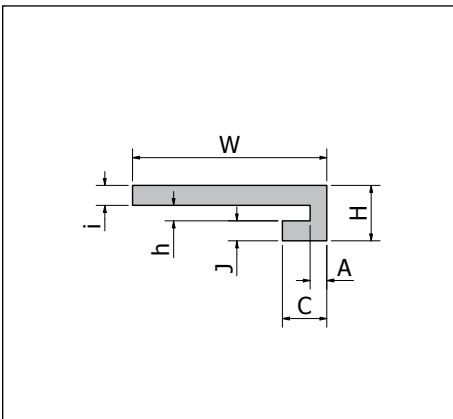
On demand options: Different colours available | Dimensions in mm | L dimension in meters | ⊕ Best seller  
 Replace # by colour code to complete the reference number | Colour codes: □1 | ■2 | ■3 | ■6



Ref.	W	H	i	J	h	A	L	Kg/m	Std.	MTO
P#0320	30	10	3.5	3.5	3	15	2	0.25	■	
P#0322	50	20	5.5	5.5	9	21	2	0.74		■

Standard material: UHMW-PE "DESLIDUR"

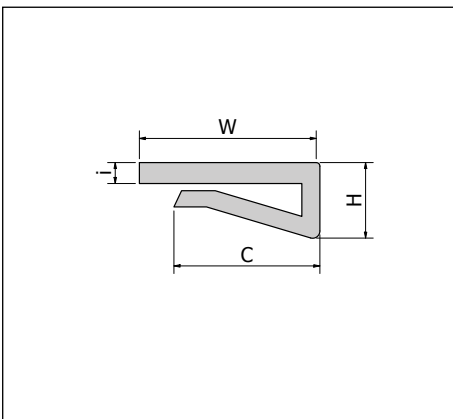
On demand options: Different colours available | Dimensions in mm | L dimension in meters  
 Replace # by colour code to complete the reference number | Colour codes: □1 | ■2 | ■3 | ■6



Ref.	W	H	i	J	C	h	A	L	Kg/m	Std.	MTO
P#0312	23	10	3.0	3.0	11	3.0	3	2	0.11	■	
P#0311	35	10	3.6	3.6	8	2.8	3	2	0.14		■
P#0310	40	8	3.0	2.0	25	3.0	10	2	0.19	■	
P#0373	45	14	3.0	2.5	10	8.5	4	2	0.19		■

Standard material: UHMW-PE "DESLIDUR"

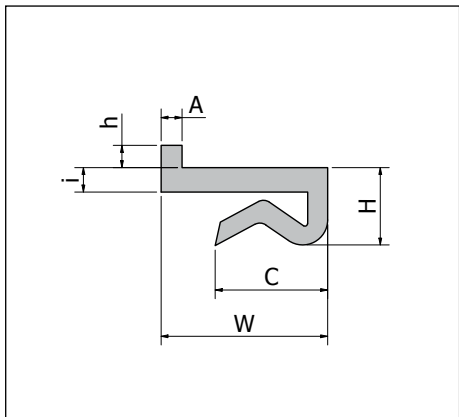
On demand options: Different colours available | Dimensions in mm | L dimension in meters  
 Replace # by colour code to complete the reference number | Colour codes: □1 | ■2 | ■3 | ■6



Ref.	W	H	C	i	L	Kg/m	Std.	MTO
⊕ P#0269	20	10.5	14.5	3	50	0.11	■ ■	
⊕ P#0274	25	10.5	20	3	50	0.12	■ ■	■
⊕ P#0282	40	10.3	20	3	50	0.16	■	■

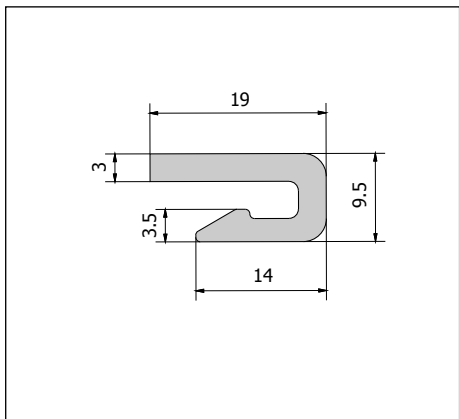
Standard material: UHMW-PE "DESLIDUR"

On demand options: Different colours available | Dimensions in mm | L dimension in meters | ⊕ Best seller  
 Replace # by colour code to complete the reference number | Colour codes: □1 | ■2 | ■3 | ■6  
 For use with sheet metal ranging in thickness from 1.5mm to 3mm



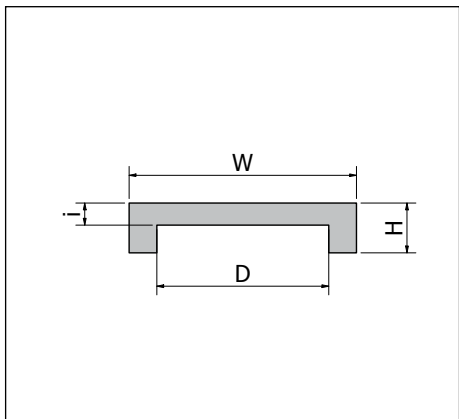
Ref.	W	H	C	i	A	h	L	Kg/m	Std.	MTO
⊕ P#0275	20	9	13	3	2.5	2.5	50	0.12	■	■
⊕ P#0271	25	9	13	3	2.5	2.5	50	0.12	■	■
⊕ P#0283	26	10.5	15.5	4	4	6	50	0.18	■ ■	

Standard material: UHMW-PE "DESLIDUR"  
 On demand options: Different colours available | Dimensions in mm | L dimension in meters | ⊕ Best seller  
 Replace # by colour code to complete the reference number | Colour codes: □ 1 | ■ 2 | ■ 3 | ■ 6  
 For use with sheet metal ranging in thickness from 1.5mm to 3mm



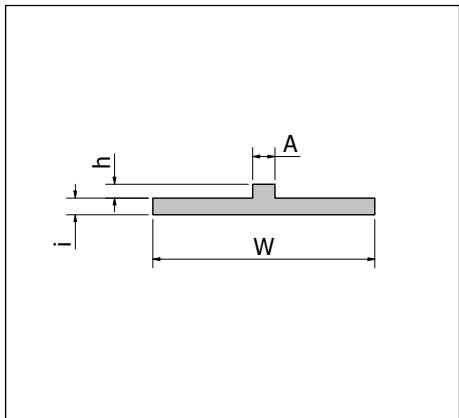
Ref.	Material	L	Kg/m	Std.	MTO
P#0300	Deslidur	50	0.10	■ ■	■
P#0300AS	Antistatic	50	0.10	-	■

On demand options: Different colours available | Dimensions in mm | L dimension in meters | ⊕ Best seller  
 Replace # by colour code to complete the reference number | Colour codes: □ 1 | ■ 2 | ■ 3 | ■ 6



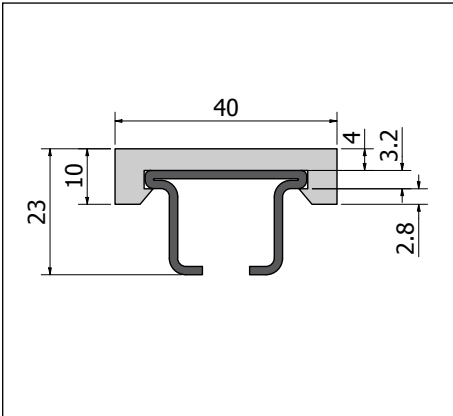
Ref.	W	i	D	H	L	Kg/m	Std.	MTO
P#0263	31	4	21	9	50	0.17	■	■
⊕ P#0265	41	4	31	9	50	0.21	■	■
⊕ P#0267	41	3	31	7	50	0.17	■	■
P#0272	42	4	35.5	7	50	0.17	■	
P#0296L2	34	7	24	15	2	0.32		■
P#0297	45	3	40.5	9	50	0.16	■	
P#0298L2	39	5	29	18	2	0.33		■

Standard material: UHMW-PE "DESLIDUR"  
 On demand options: Different colours available | Dimensions in mm | L dimension in meters | ⊕ Best seller  
 Replace # by colour code to complete the reference number | Colour codes: □ 1 | ■ 2 | ■ 3 | ■ 6



Ref.	W	h	i	D	H	A	L	Kg/m	Std.	MTO
P#0260	40	2.5	3	-	-	4	50	0.11	■	■

Standard material: UHMW-PE "DESLIDUR"  
 On demand options: Different colours available | Dimensions in mm | L dimension in meters  
 Replace # by colour code to complete the reference number | Colour codes: □ 1 | ■ 2 | ■ 3 | ■ 6



Ref.	Guide	L	Kg	Std.
⊕ P#0376		50	10.60	■ ■
⊕ P#0376L3		3		■ ■
⊕ PSS#0376L3	C2919SSL3	3	3.42	■
⊕ PSS#0376L6	C2919SSL6	6	6.84	■

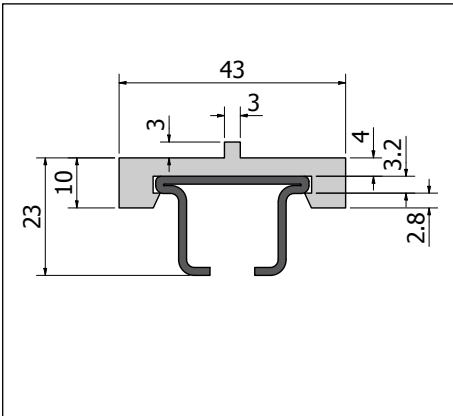
Standard material: UHMW-PE "DESLIDUR"

On demand options: Different colours available | Dimensions in mm | L dimension in meters | ⊕ Best seller

Replace # by colour code to complete the reference number | Colour codes: □ 1 | ■ 2 | ■ 3 | ■ 6

References PSS#0376L3 and PSS#0376L6 includes guide C2919SS, can also be used with guide C2919AA

**View related components on pages 164 - 167**



Ref.	Guide	L	Kg	Std.
P#0378		50	10.60	■
P#0378L3		3		■
PSS#0378L3	C2919SSL3	3	3.42	■
PSS#0378L6	C2919SSL6	6	6.84	■

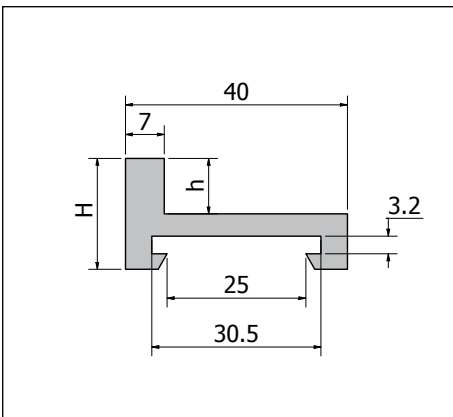
Standard material: UHMW-PE "DESLIDUR"

On demand options: Different colours available | Dimensions in mm | L dimension in meters

Replace # by colour code to complete the reference number | Colour codes: □ 1 | ■ 2 | ■ 3 | ■ 6

References PSS#0376L3 and PSS#0376L6 includes guide C2919SS, can also be used with guide C2919AA

**View related components on pages 164 - 167**

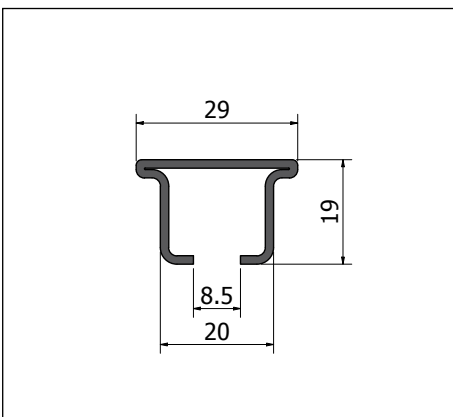


Ref.	H	h	L	Kg/m	Std.
P#0381L3	20	10	3	0.31	■ ■
P#0381L6	20	10	6	0.31	■
P#0387L3	17	7	3	0.28	■ ■
P#0387L6	17	7	6	0.28	■

Standard material: UHMW-PE "DESLIDUR"

On demand options: Different colours available | Dimensions in mm | L dimension in meters

Replace # by colour code to complete the reference number | Colour codes: □ 1 | ■ 2 | ■ 3 | ■ 6



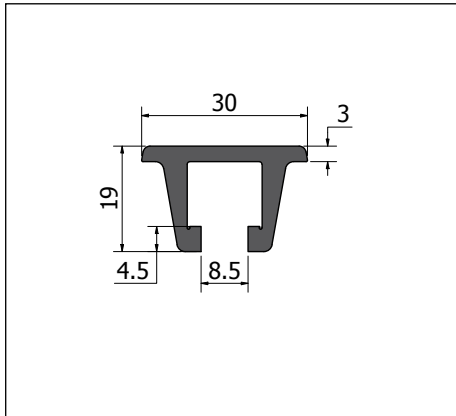
Ref.	Material	L	Kg	Delivery
⊕ C2919SS304L3	AISI304	3	2.78	Std
⊕ C2919SS304L6	AISI304	6	5.56	Std
C2919SS430L3	AISI430	3	2.78	MTO
C2919SS430L6	AISI430	6	5.56	MTO

Standard material: Stainless steel | Dimensions in mm

L dimension in meters | ⊕ Best seller

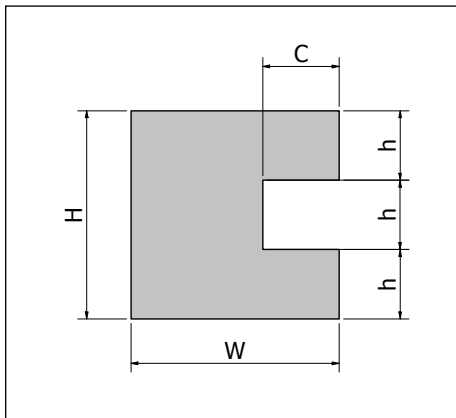
**View related components on pages 164 - 167**





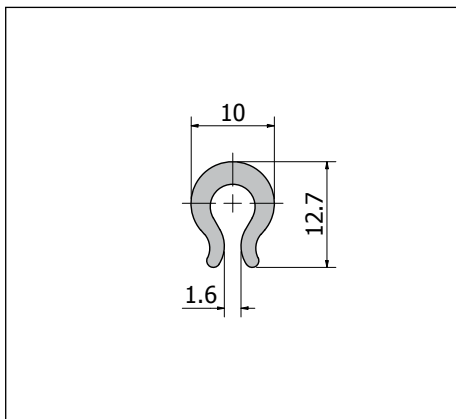
Ref.	L	Kg	Delivery
<b>C2919AAL3</b>	3	2.78	Standard
<b>C2919AAL6</b>	6	5.56	Standard

Standard material: Aluminium | Dimensions in mm | L dimension in meters  
 View related components on pages 164 - 167



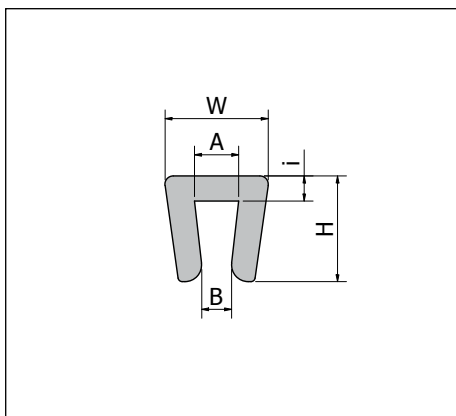
Ref.	W	H	h	C	Chain width (K)		L	Kg	MTO
					mm	inch			
<b>P#0290</b>	30	30	10	11	82.5	3.25	2	2.78	■
<b>P#0291</b>	40	30	10	11	114.3	4.50	2	5.56	■

For use with chains 880 TAB • 881 TAB | Standard material: UHMW-PE "DESLIDUR"  
 On demand options: Different colours available | Dimensions in mm | L dimension in meters  
 Replace # by colour code to complete the reference number | Colour codes: □ 1 | ■ 2 | ■ 3 | ■ 6



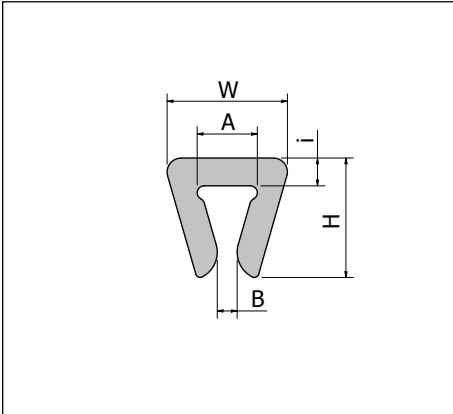
Ref.	L	Kg	Plate thk.	Std.
<b>P#0285</b>	50	2.78	2-3	■ ■

Standard material: UHMW-PE "DESLIDUR"  
 On demand options: Different colours available | Dimensions in mm | L dimension in meters  
 Replace # by colour code to complete the reference number | Colour codes: □ 1 | ■ 2 | ■ 3 | ■ 6



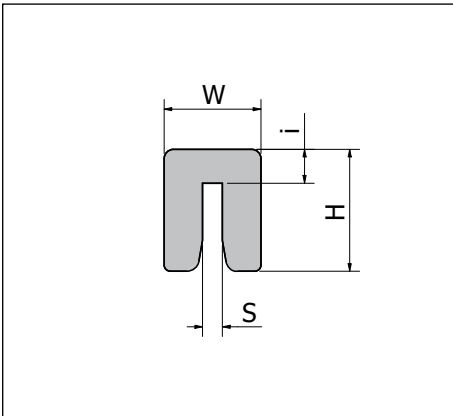
Ref.	W	H	A	B	i	L	Kg/m	Plate thk.	Std.	MTO
★ <b>P#0286</b>	12.5	12	7	6	3	50	0.08	6	□	■
★ <b>P#0289</b>	17	20	5.1	3	5	50	0.21	4-5	□ ■	■
★ <b>P#0301</b>	12.7	12.7	4.1	3.1	3.2	50	0.10	3-4	□ ■	
★ <b>P#0302</b>	12.7	12.7	5.3	3	3	50	0.10	4-5	□ ■	

Standard material: UHMW-PE "DESLIDUR"  
 On demand options: Different colours available | Dimensions in mm | L dimension in meters | ★ Best seller  
 Replace # by colour code to complete the reference number | Colour codes: □ 1 | ■ 2 | ■ 3 | ■ 6



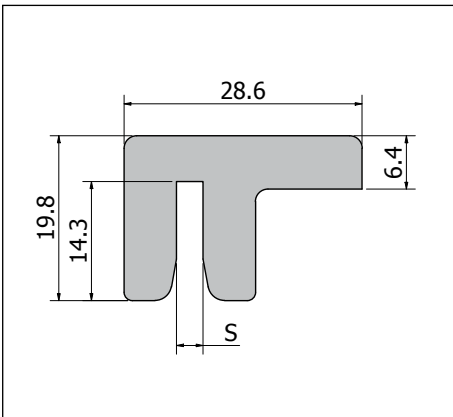
Ref.	W	H	A	B	i	L	Kg/m	Plate thk.	Std.
<b>P#0303</b>	13	13	6.5	2	3	50	0.	3-4	<input type="checkbox"/>

Standard material: UHMW-PE "DESLIDUR"  
 On demand options: Different colours available | Dimensions in mm | L dimension in meters  
 Replace # by colour code to complete the reference number | Colour codes:  1 |  2 |  3 |  6



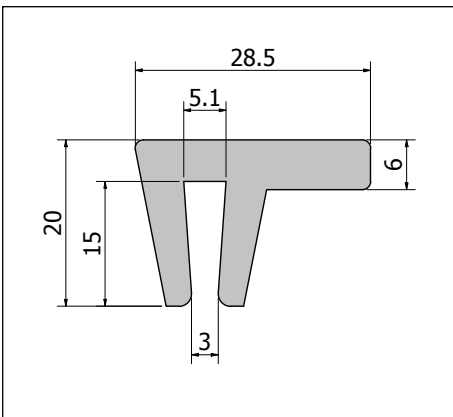
Ref.	W	H	S	i	L	Kg/m	Plate thk.	Std.
<input checked="" type="checkbox"/> <b>P#0462L3</b>	15.7	19.8	2.2	5.5	3	0.28	2	<input type="checkbox"/> <input checked="" type="checkbox"/>
<b>P#0464L3</b>	15.7	19.8	2.7	5.5	3	0.27	2.5	<input type="checkbox"/>
<input checked="" type="checkbox"/> <b>P#0467L3</b>	15.7	19.8	3.2	5.5	3	0.26	3	<input type="checkbox"/> <input checked="" type="checkbox"/>
<b>P#0469L3</b>	15.7	19.8	4.5	5.5	3	0.25	4	<input type="checkbox"/>
<b>P#0471L3</b>	15.7	19.8	5.2	5.5	3	0.24	5	<input type="checkbox"/>
<b>P#0473</b>	9.5	14.4	3	5.5	50	0.14	3	<input type="checkbox"/> <input checked="" type="checkbox"/>

Standard material: UHMW-PE "DESLIDUR"  
 On demand options: Different colours available | Dimensions in mm | L dimension in meters  
 Replace # by colour code to complete the reference number | Colour codes:  1 |  2 |  3 |  6



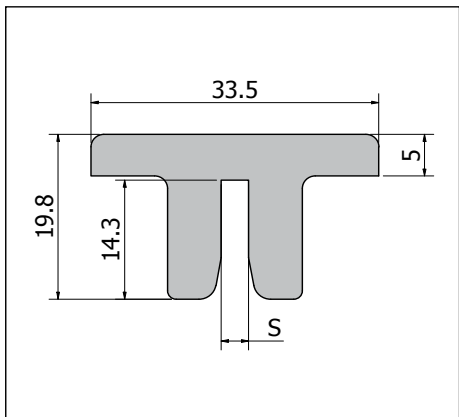
Ref.	S	L	Kg/m	Plate thk.	Std.
<input checked="" type="checkbox"/> <b>P#0494L3</b>	2.2	3	0.41	2	<input type="checkbox"/> <input checked="" type="checkbox"/>
<b>P#0495L3</b>	2.7	3	0.40	2.5	<input type="checkbox"/>
<input checked="" type="checkbox"/> <b>P#0496L3</b>	3.2	3	0.39	3	<input type="checkbox"/> <input checked="" type="checkbox"/>
<b>P#0497L3</b>	4.5	3	0.38	4	<input type="checkbox"/>
<b>P#0498L3</b>	5.2	3	0.37	5	<input type="checkbox"/>

Standard material: UHMW-PE "DESLIDUR"  
 On demand options: Different colours available | Dimensions in mm | L dimension in meters |  Best seller  
 Replace # by colour code to complete the reference number | Colour codes:  1 |  2 |  3 |  6



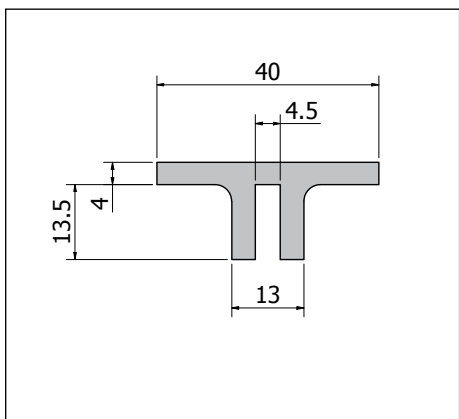
Ref.	L	Kg/m	Plate thk.	Std.
<b>P#0492</b>	3	0.39	3-5	<input type="checkbox"/>

Standard material: UHMW-PE "DESLIDUR"  
 On demand options: Different colours available | Dimensions in mm | L dimension in meters  
 Replace # by colour code to complete the reference number | Colour codes:  1 |  2 |  3 |  6



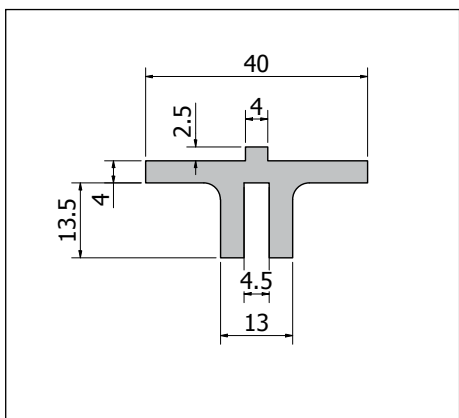
Ref.	S	L	Kg/m	Plate thk.	MTO
P#0480L3	2.2	3	0.37	2	□
P#0482L3	2.7	3	0.36	2.5	□
P#0485L3	3.2	3	0.35	3	□
P#0488L3	4.5	3	0.34	4	□
P#0490L3	5.2	3	0.33	5	□

Standard material: UHMW-PE "DESLIDUR"  
 On demand options: Different colours available | Dimensions in mm | L dimension in meters  
 Replace # by colour code to complete the reference number | Colour codes: □ 1 | ■ 2 | ■ 3 | ■ 6



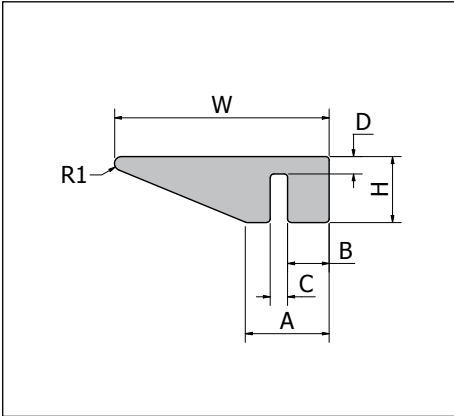
Ref.	L	Kg/m	Plate thk.	Std.
P#0293	50	0.29	4	■

Standard material: UHMW-PE "DESLIDUR"  
 On demand options: Different colours available | Dimensions in mm | L dimension in meters  
 Replace # by colour code to complete the reference number | Colour codes: □ 1 | ■ 2 | ■ 3 | ■ 6



Ref.	L	Kg/m	Plate thk.	MTO
P#0292	2	0.29	4	■

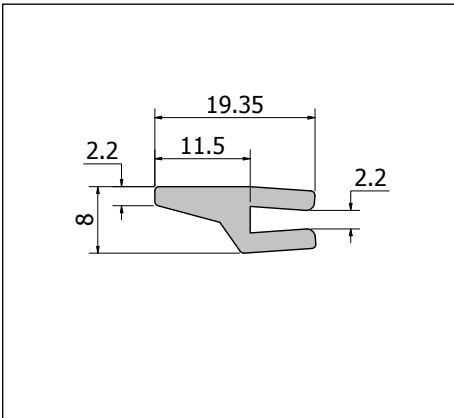
Standard material: UHMW-PE "DESLIDUR"  
 On demand options: Different colours available | Dimensions in mm | L dimension in meters  
 Replace # by colour code to complete the reference number | Colour codes: □ 1 | ■ 2 | ■ 3 | ■ 6



Ref.	W	H	A	B	C	D	L	Kg/m	MTO
P#0650L2	20	14.0	9.0	3	3.0	7.7	2	0.18	■
P#0655L2	23	10.0	9.0	5	2.4	4.0	2	0.15	■
P#0658L2	23	10.0	10.3	5	2.3	4.0	2	0.16	■
P#0662L2	25	10.5	9.0	5	2.3	4.0	2	0.18	■
P#0665L2	28	10.0	10.0	5	2.1	5.0	2	0.19	■
P#0670L2	32	10.0	9.0	5	3.2	5.0	2	0.17	■
P#0674L2	35	9.5	12.0	6	2.5	2.5	2	0.24	■

Standard material: UHMW-PE "DESLIDUR"

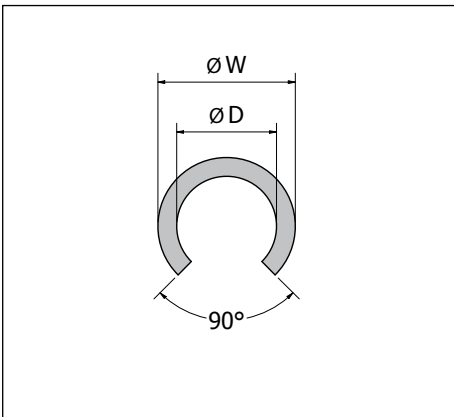
On demand options: Different colours available | Dimensions in mm | L dimension in meters  
 Replace # by colour code to complete the reference number | Colour codes: □1 | ■2 | ■3 | ■6



Ref.	L	Kg/m	Std.
P#0780	2	0.08	■

Standard material: UHMW-PE "DESLIDUR"

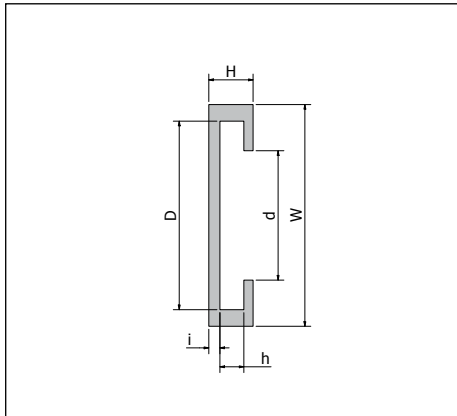
On demand options: Different colours available | Dimensions in mm | L dimension in meters  
 Replace # by colour code to complete the reference number | Colour codes: □1 | ■2 | ■3 | ■6



Ref.	ØW	ØD	L	Kg/m	Std.
P#0400	16.5	12	50	0.08	□■
P#0402	13.8	10	50	0.07	□■

Standard material: UHMW-PE "DESLIDUR"

On demand options: Different colours available | Dimensions in mm | L dimension in meters  
 Replace # by colour code to complete the reference number | Colour codes: □1 | ■2 | ■3 | ■6

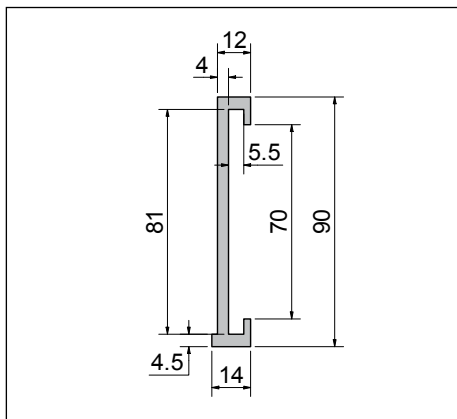


Ref.	W	H	i	h	D	d	L	Kg/m	Plate	Std	MTO
P#0364L2	30	12	3	3.5	21	12	2	0.22	20x3		■
P#0365	30	12	3.5	5.2	20.5	12	2	0.17	20x5	■	
★ P#0370	40	10	3.5	3.5	30.5	23	50	0.19	30x3	■	
P#0367	50	10	3	4.5	41	29	50	0.24	40x4	■	
P#0369L2	50	12	3	6.5	40.3	28.5	2	0.24	40x6	■	
★ P#0371	50	14	3	8.3	41	30	50	0.26	40x8	■	
P#0372	50	16	3	10.3	41	30	2	0.27	40x10	■	
★ P#0374	60	12	3	6.5	51	35.0	50	0.28	50x6	■	
P#0392L2	90	12	4	5.5	81	70	2	0.42	80x5	■	

Standard material: UHMW-PE "DESLIDUR" | On demand options: Different colours and dimensions available

Dimensions in mm | L dimension in meters | ★ Best seller

Replace # by colour code to complete the reference number | Colour codes: □ 1 | ■ 2 | ■ 3 | ■ 6

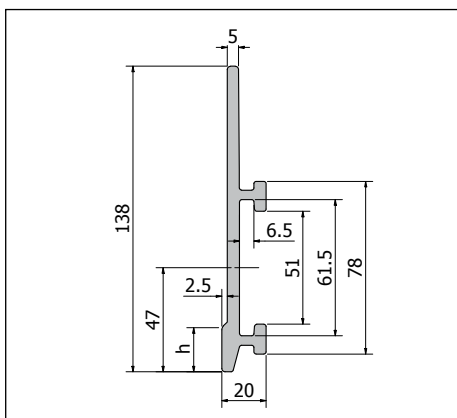


Ref.	L	Kg/m	Plate	MTO
P#0390L2	2	0.47	80x5	■

Standard material: UHMW-PE "DESLIDUR"

On demand options: Different colours available | Dimensions in mm | L dimension in meters

Replace # by colour code to complete the reference number | Colour codes: □ 1 | ■ 2 | ■ 3 | ■ 6

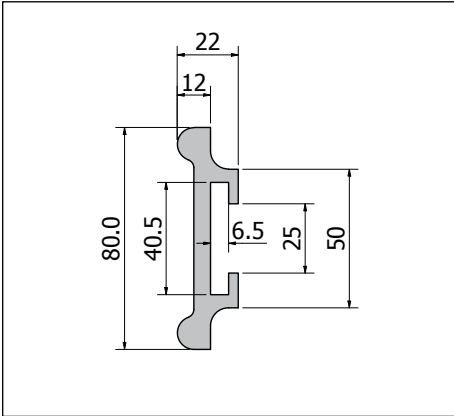


Ref.	h	Plate	Shipping	L	Kg/m	Std.
WSDURSG001L03#	20	60x5   60x6	2 x 3 m	3	1.02	■ ■
WSDURSG001L06#	20	60x5   60x6	2 x 6 m	6	1.02	■ ■
WSDURSG002L03#	40	60x5   60x6	2 x 3 m	3	1.07	■ ■
WSDURSG002L06#	40	60x5   60x6	2 x 6 m	6	1.07	■ ■

Standard material: UHMW-PE "DESLIDUR" | Min. radius: 200 mm (7.87 in)

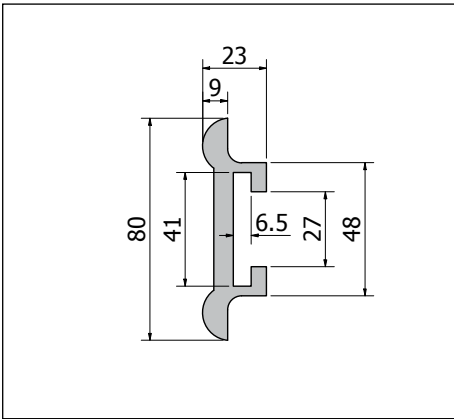
Can be used with flat profiles: 60x5 or 60x6 mm | Dimensions in mm | L dimension in meters

Replace # by colour code to complete the reference number | Colour codes: ■ K | ■ B



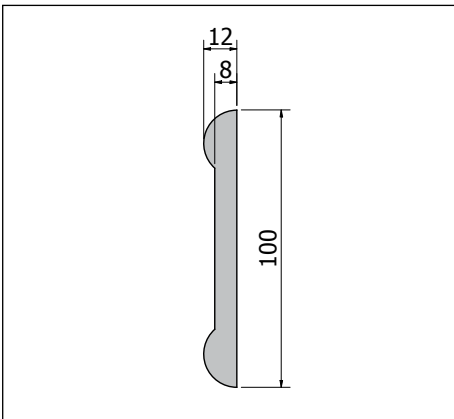
Ref.	L	Kg/m	MTO
<b>P#0389</b>	2	0.6	■

Standard material: UHMW-PE "DESLIDUR"  
 On demand options: Different colours available | Dimensions in mm | L dimension in meters  
 Replace # by colour code to complete the reference number | Colour codes: □1 | ■2 | ■3 | ■6



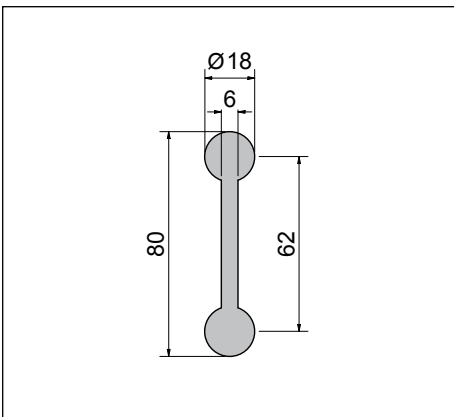
Ref.	L	Kg/m	MTO
<b>P#0382</b>	2	0.73	■

Standard material: UHMW-PE "DESLIDUR"  
 On demand options: Different colours available | Dimensions in mm | L dimension in meters  
 Replace # by colour code to complete the reference number | Colour codes: □1 | ■2 | ■3 | ■6



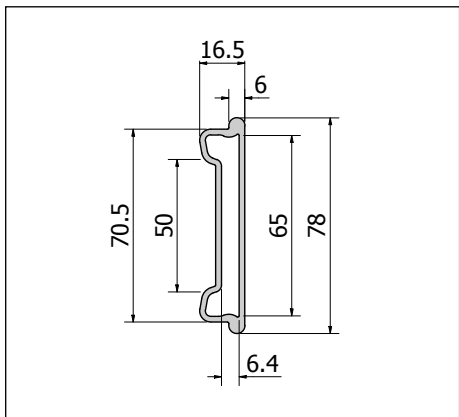
Ref.	L	Kg/m	MTO
<b>P#0384</b>	2	0.76	■

Standard material: UHMW-PE "DESLIDUR"  
 On demand options: Different colours available | Dimensions in mm | L dimension in meters  
 Replace # by colour code to complete the reference number | Colour codes: □1 | ■2 | ■3 | ■6



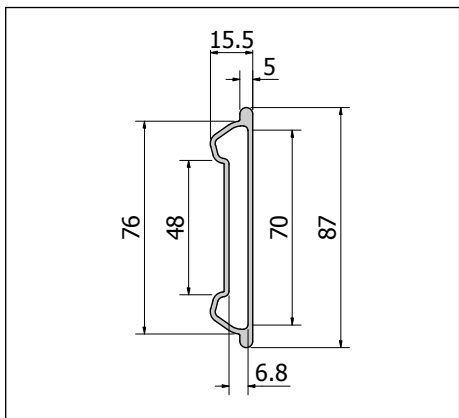
Ref.	L	Kg/m	MTO
<b>P#0360L2</b>	2	0.77	■
<b>P#0360L3</b>	3	0.77	■
<b>P#0360L6</b>	6	0.77	■

Standard material: UHMW-PE "DESLIDUR"  
 On demand options: Different colours available | Dimensions in mm | L dimension in meters  
 Replace # by colour code to complete the reference number | Colour codes: □1 | ■2 | ■3 | ■6



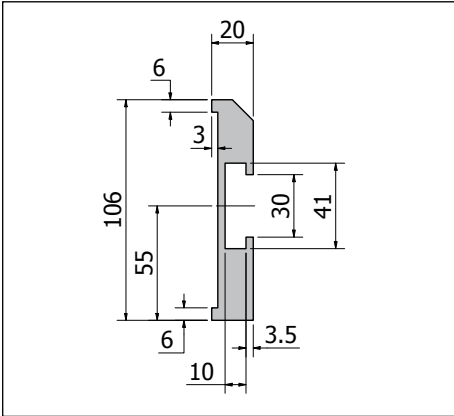
Ref.	L	Kg/m	Std.	MTO
P#0447L3	3	0.33	■	
P#0447L6	6	0.33		■

Standard material: Self-lubricating polyethylene.  
 On demand options: Different colours available | Dimensions in mm | L dimension in meters  
 Replace # by colour code to complete the reference number | Colour codes: □1 | ■2 | ■3 | ■6  
**View related components on page 160**



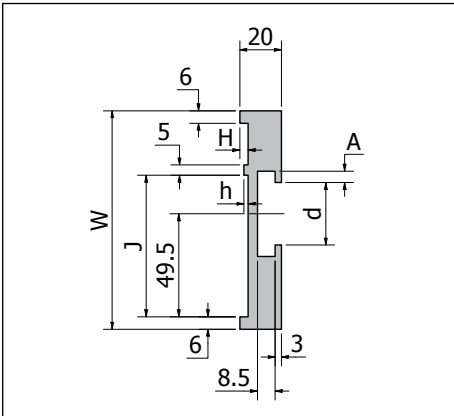
Ref.	L	Kg/m	Std.	MTO
P#0450L3	3	0.33	■	
P#0450L6	6	0.33		■

Standard material: Self-lubricating polyethylene.  
 On demand options: Different colours available | Dimensions in mm | L dimension in meters  
 Replace # by colour code to complete the reference number | Colour codes: □1 | ■2 | ■3 | ■6  
**View related components on page 161**



Ref.	L	Kg/m	Std.
<b>P#0703L2</b>	2	1.18	■

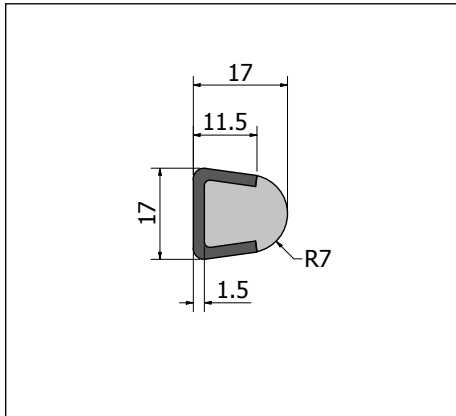
Standard material: UHMW-PE "DESLIDUR"  
 On demand options: Different colours and dimensions available | Dimensions in mm | L dimension in meters  
 Replace # by colour code to complete the reference number | Colour codes: □1 | ■2 | ■3 | ■6



Ref.	W	A	d	H	h	J	L	Kg/m	MTO
<b>P#0708L2</b>	115	5.5	30	4	2.0	80	2	1.35	■
<b>P#0720L2</b>	130	4.5	32	5	3.5	100	2	1.47	■

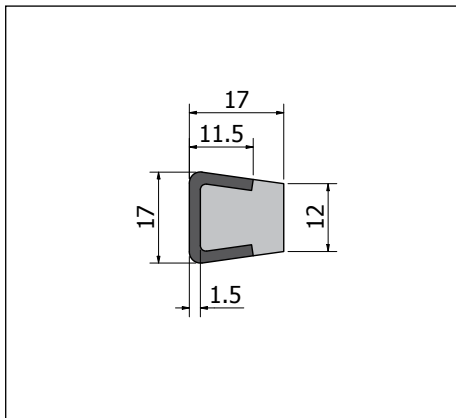
Standard material: UHMW-PE "DESLIDUR"  
 On demand options: Different colours and dimensions available | Dimensions in mm | L dimension in meters  
 Replace # by colour code to complete the reference number | Colour codes: □1 | ■2 | ■3 | ■6





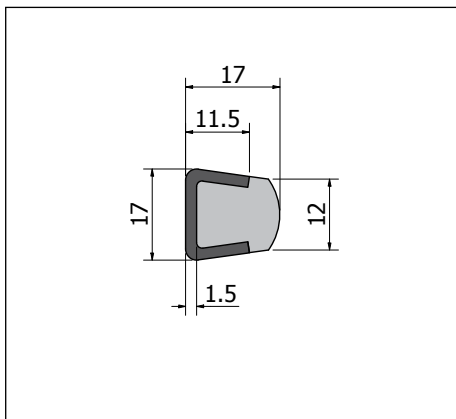
Ref.	Guide	L	Kg/m	Std.	MTO
CSS#0005L2	C1712SS	2		□	■
★ CSS#0005L3	C1712SS	3	0.67	□	■
CSS#0005L6	C1712SS	6		□	■

Profile material: Deslidur | Guide material: Stainless steel  
 On demand options: Different colours and dimensions available  
 Dimensions in mm | L dimension in meters | ★ Best seller  
 Replace # by colour code to complete the reference number | Colour codes: □ 1 | ■ 2 | ■ 3 | ■ 6



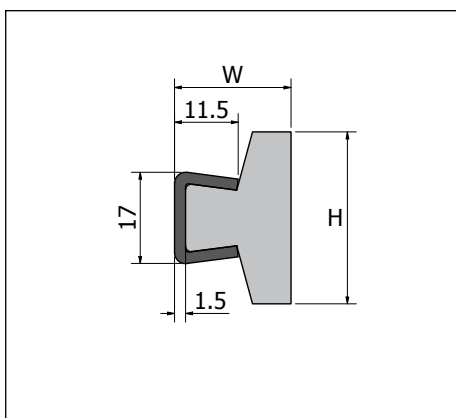
Ref.	Guide	L	Kg/m	Std.	MTO
CSS#0010L2	C1712SS	2		□	
CSS#0010L3	C1712SS	3	0.69	□	■
CSS#0010L6	C1712SS	6		□	

Profile material: Deslidur | Guide material: Stainless steel  
 On demand options: Different colours and dimensions available | Dimensions in mm | L dimension in meters  
 Replace # by colour code to complete the reference number | Colour codes: □ 1 | ■ 2 | ■ 3 | ■ 6  
 Could be used with roller chain ANSI 60



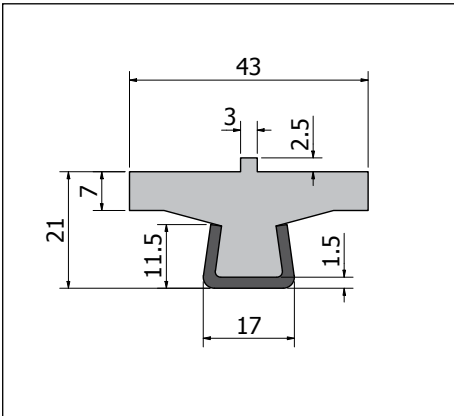
Ref.	Guide	L	Kg/m	Std.	MTO
CSS#0015L2	C1712SS	2		□	
CSS#0015L3	C1712SS	3	0.69	□	■
CSS#0015L6	C1712SS	6		□	

Profile material: Deslidur | Guide material: Stainless steel  
 On demand options: Different colours and dimensions available | Dimensions in mm | L dimension in meters  
 Replace # by colour code to complete the reference number | Colour codes: □ 1 | ■ 2 | ■ 3 | ■ 6



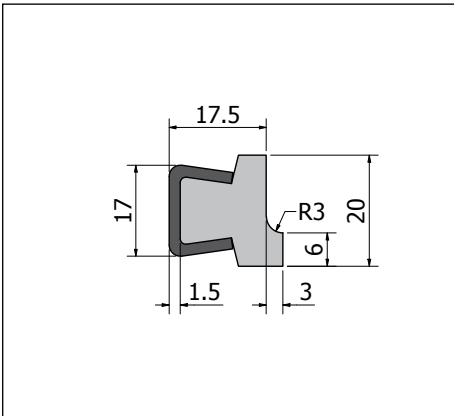
Ref.	W	H	Guide	L	Kg/m	Std.	MTO
CSS#0020	20.5	20	C1712SS	3	0.74	□	■
CSS#0025	20.5	25	C1712SS	3	0.78	□	■
★ CSS#0030	21	31	C1712SS	3	0.82	□	■
★ CSS#0035	21	40	C1712SS	3	0.88	□	■
CSS#0037L2	21	50	C1712SS	2	0.95	□	■
CSS#0039L2	21	60	C1712SS	2	1.02	□	■

Profile material: Deslidur | Guide material: Stainless steel  
 On demand options: Different colours and dimensions available  
 Dimensions in mm | L dimension in meters | ★ Best seller  
 Replace # by colour code to complete the reference number | Colour codes: □ 1 | ■ 2 | ■ 3 | ■ 6



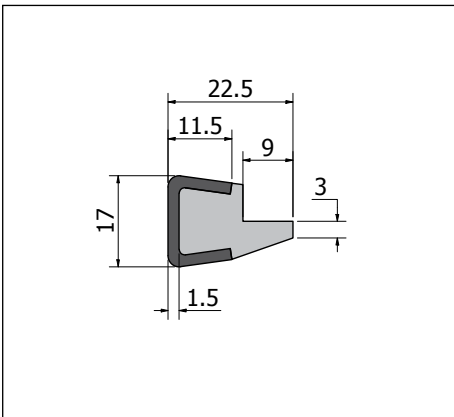
Ref.	Guide	L	Kg/m	Std.	MTO
CSS#0040L2	C1712SS	2	0.89		☐ ■
CSS#0040L3	C1712SS	3		☐	■
CSS#0040L6	C1712SS	6			☐ ■

Profile material: Deslidur | Guide material: Stainless steel  
 On demand options: Different colours and dimensions available | Dimensions in mm | L dimension in meters  
 Replace # by colour code to complete the reference number | Colour codes: ☐ 1 | ■ 2 | ■ 3 | ■ 6



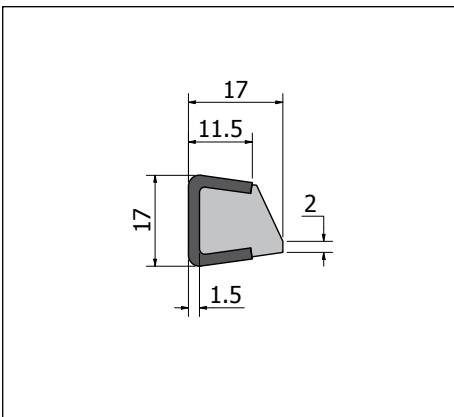
Ref.	Guide	L	Kg/m	Std.	MTO
CSS#0022L2	C1712SS	2			☐ ■
CSS#0022L3	C1712SS	3	0.71	☐	■
CSS#0022L6	C1712SS	6			☐ ■

Profile material: Deslidur | Guide material: Stainless steel  
 On demand options: Different colours and dimensions available | Dimensions in mm | L dimension in meters  
 Replace # by colour code to complete the reference number | Colour codes: ☐ 1 | ■ 2 | ■ 3 | ■ 6



Ref.	Guide	L	Kg/m	Std.	MTO
CSS#0045L2	C1712SS	2			☐ ■
CSS#0045L3	C1712SS	3	0.71	☐	■
CSS#0045L6	C1712SS	6			☐ ■

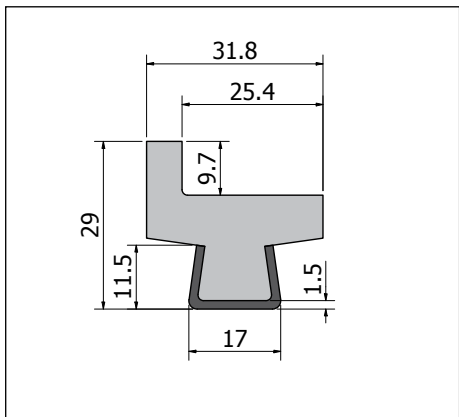
Profile material: Deslidur | Guide material: Stainless steel  
 On demand options: Different colours and dimensions available | Dimensions in mm | L dimension in meters  
 Replace # by colour code to complete the reference number | Colour codes: ☐ 1 | ■ 2 | ■ 3 | ■ 6



Ref.	Guide	L	Kg/m	Std.	MTO
CSS#0046L2	C1712SS	2			☐ ■
CSS#0046L3	C1712SS	3	0.65	☐	■
CSS#0046L6	C1712SS	6			☐ ■

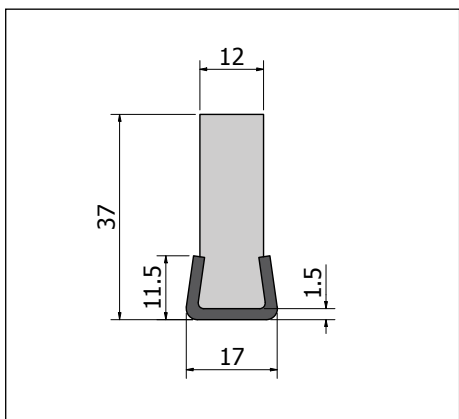
Profile material: Deslidur | Guide material: Stainless steel  
 On demand options: Different colours and dimensions available | Dimensions in mm | L dimension in meters  
 Replace # by colour code to complete the reference number | Colour codes: ☐ 1 | ■ 2 | ■ 3 | ■ 6





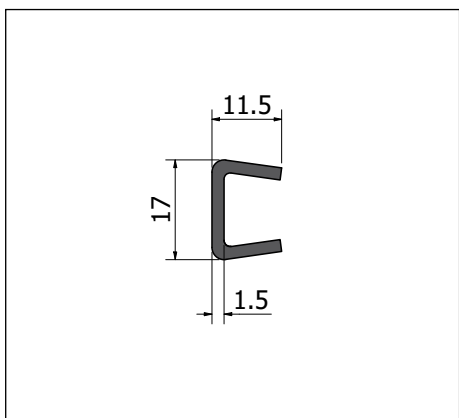
REF.	Guide	L	Kg/m	Std.	MTO
<b>C#0059</b>	-	2	0.47		□
<b>CSS#0059L2</b>	C1712SS	2	0.92		□
<b>CSS#0059L3</b>	C1712SS	3	0.92	□	

Profile material: Deslidur | Guide material: Stainless steel  
 On demand options: Different colours and dimensions available | Dimensions in mm | L dimension in meters  
 Replace # by colour code to complete the reference number | Colour codes: □1 | ■2 | ■3 | ■6



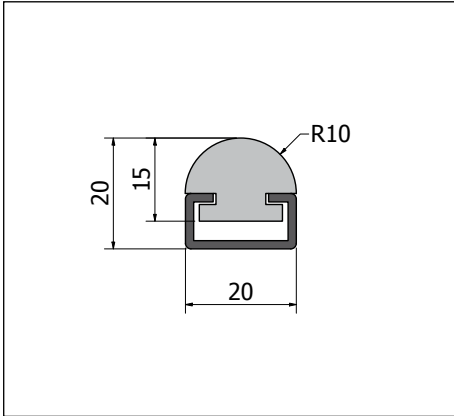
Ref.	Guide	L	Kg/m	Std.	MTO
<b>CSS#0060</b>	C1712SS	3	0.89	□	■

Profile material: Deslidur | Guide material: Stainless steel  
 On demand options: Different colours and dimensions available | Dimensions in mm | L dimension in meters  
 Replace # by colour code to complete the reference number | Colour codes: □1 | ■2 | ■3 | ■6  
 Could be used with roller chain ISO 12 B1



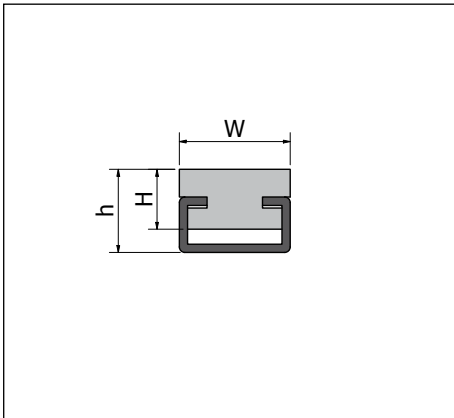
Ref.	L	Kg/m
<b>C1712SSL2</b>	2	0.45
<b>C1712SSL3</b>	3	0.45

Standard Material: Stainless Steel | Dimensions in mm | L dimension in meters



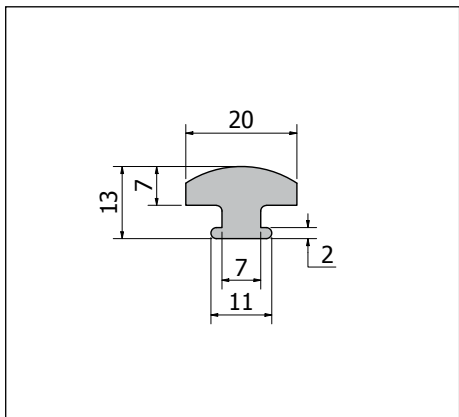
Ref.	Guide	L	Kg/m	Std.	MTO
⊕ P#0350	-	50	0.21	■	■
PSS#0350L2	C 2010 SS	2	0.70	■	
⊕ PSS#0350L3	C 2010 SS	3	0.70	■ ■	
PZN#0350L2	C 2010	2	0.70		■ ■
PZN#0350L3	C 2010	3	0.70	■	■

Profile material: Deslidur | On demand options: Different colours available  
 Dimensions in mm | L dimension in meters | ⊕ Best seller  
 Replace # by colour code to complete the reference number | Colour codes: □ 1 | ■ 2 | ■ 3 | ■ 6



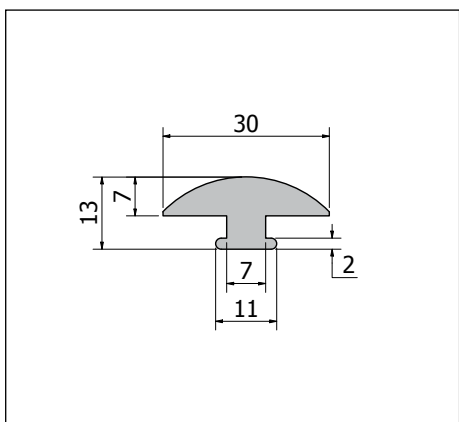
Ref.	W	H	h	Guide	L	Kg/m	Std.
P#0352	20	10	15	-	50	0.16	■
P#0354	18	6	13	-	50	0.08	■
PSS#0352L2	20	10	15	C 2010 SS	2	0.65	■
PSS#0352L3	20	10	15	C 2010 SS	3	0.65	■
PZN#0352L2	20	10	15	C 2010	2	0.65	■
PZN#0352L3	20	10	15	C 2010	3	0.65	■

Profile material: Deslidur | On demand options: Different colours available | Dimensions in mm | L dimension in meters  
 Replace # by colour code to complete the reference number | Colour codes: □ 1 | ■ 2 | ■ 3 | ■ 6



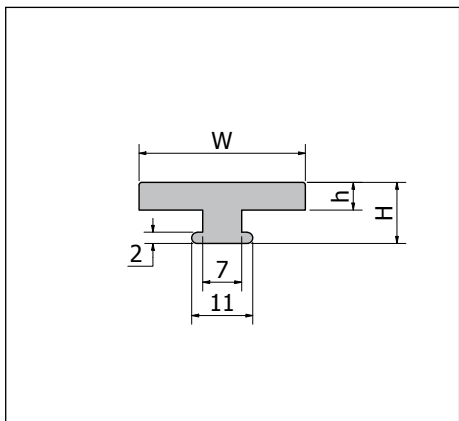
Ref.	L	Kg/m	MTO
<b>P#0600L2</b>	2	0.17	■

Standard material: UHMW-PE "DESLIDUR"  
 On demand options: Different colours available | Dimensions in mm | L dimension in meters  
 Replace # by colour code to complete the reference number | Colour codes: □ 1 | ■ 2 | ■ 3 | ■ 6



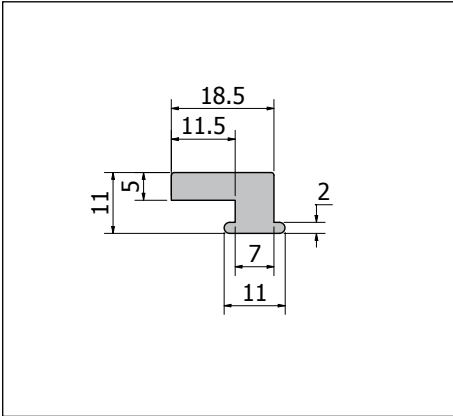
Ref.	L	Kg/m	MTO
<b>P#0620L2</b>	2	0.24	■ ■

Standard material: UHMW-PE "DESLIDUR"  
 On demand options: Different colours available | Dimensions in mm | L dimension in meters  
 Replace # by colour code to complete the reference number | Colour codes: □ 1 | ■ 2 | ■ 3 | ■ 6



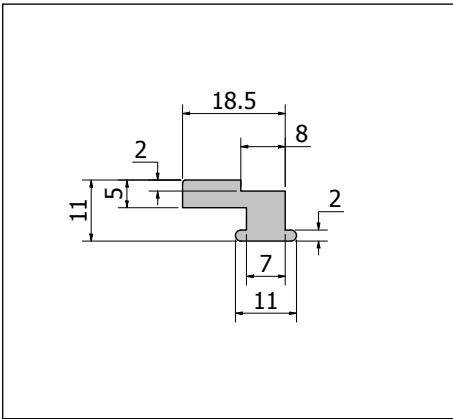
Ref.	W	H	h	L	Kg/m	MTO
<b>P#0604L2</b>	25	11	5	2	0.16	■
<b>P#0605L2</b>	25	10	4	2	0.15	■
<b>P#0606L2</b>	30	11	5	2	0.18	■
<b>P#0610L2</b>	20	11	5	2	0.15	■
<b>P#0621</b>	20	20	14	2	0.3	■

Standard material: UHMW-PE "DESLIDUR"  
 On demand options: Different colours and dimensions available | Dimensions in mm | L dimension in meters  
 Replace # by colour code to complete the reference number | Colour codes: □ 1 | ■ 2 | ■ 3 | ■ 6



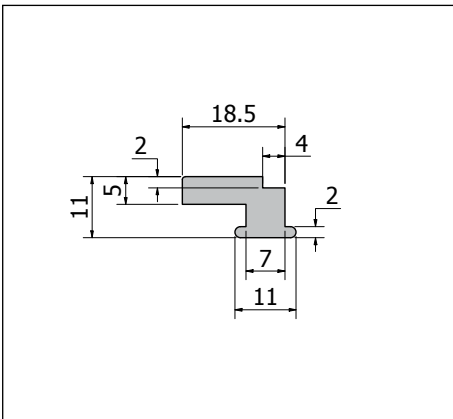
Ref	L	Kg/m	MTO
<b>P#0612L2</b>	2	0.10	■ ■

Standard material: UHMW-PE "DESLIDUR"  
 On demand options: Different colours available | Dimensions in mm | L dimension in meters  
 Replace # by colour code to complete the reference number | Colour codes: □ 1 | ■ 2 | ■ 3 | ■ 6



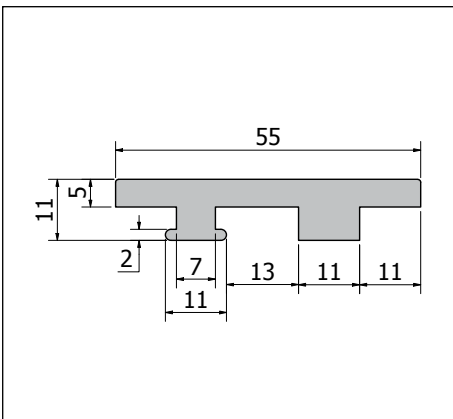
Ref	L	Kg/m	MTO
<b>P#0614L2</b>	2	0.11	■ ■

Standard material: UHMW-PE "DESLIDUR"  
 On demand options: Different colours available | Dimensions in mm | L dimension in meters  
 Replace # by colour code to complete the reference number | Colour codes: □ 1 | ■ 2 | ■ 3 | ■ 6



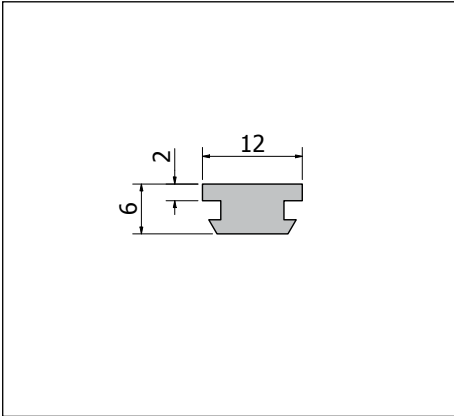
Ref	L	Kg/m	MTO
<b>P#0616L2</b>	2	0.12	■ ■

Standard material: UHMW-PE "DESLIDUR"  
 On demand options: Different colours available | Dimensions in mm | L dimension in meters  
 Replace # by colour code to complete the reference number | Colour codes: □ 1 | ■ 2 | ■ 3 | ■ 6



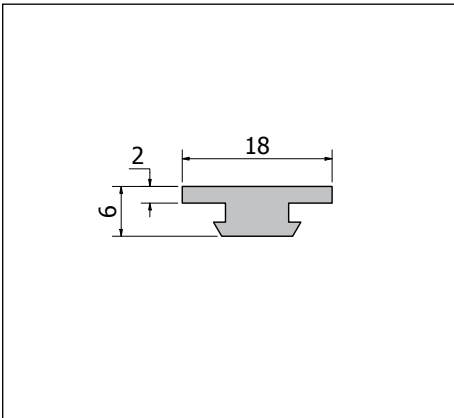
Ref.	L	Kg/m	MTO
<b>P#0608</b>	2	0.37	■

Standard material: UHMW-PE "DESLIDUR"  
 On demand options: Different colours available | Dimensions in mm | L dimension in meters  
 Replace # by colour code to complete the reference number | Colour codes: □ 1 | ■ 2 | ■ 3 | ■ 6



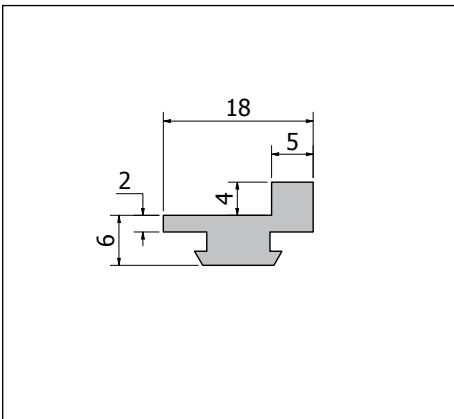
Ref.	Guide	L	Kg/m	MTO
<b>P#0840L2</b>	-	2	0.07	<input type="checkbox"/> <input checked="" type="checkbox"/>
<b>P#0840L3</b>	-	3	0.07	<input type="checkbox"/> <input checked="" type="checkbox"/>
<b>PAA#0840L2</b>	A 12052	2	0.37	<input type="checkbox"/> <input checked="" type="checkbox"/>
<b>PAA#0840L3</b>	A 12052	3	0.37	<input type="checkbox"/> <input checked="" type="checkbox"/>

Standard material: UHMW-PE "DESLIDUR"  
 On demand options: Different colours and dimensions available | Dimensions in mm | L dimension in meters  
 Replace # by colour code to complete the reference number | Colour codes:  1 |  2 |  3 |  6



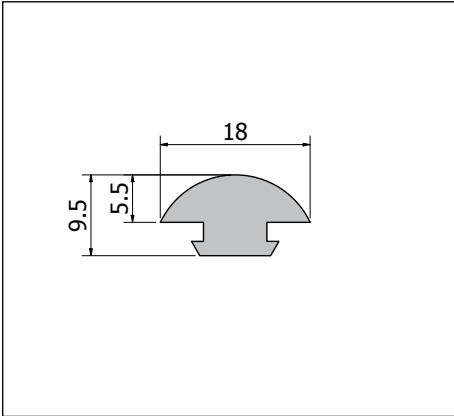
Ref.	Guide	L	Kg/m	Std.	MTO
<b>P#0845L2</b>	-	2	0.09	<input type="checkbox"/>	<input checked="" type="checkbox"/>
<b>P#0845L3</b>	-	3	0.09	<input type="checkbox"/>	<input checked="" type="checkbox"/>
<b>PAA#0845L2</b>	A 12052	2	0.39	<input type="checkbox"/>	<input checked="" type="checkbox"/>
<b>PAA#0845L3</b>	A 12052	3	0.39	<input type="checkbox"/>	<input type="checkbox"/>

Standard material: UHMW-PE "DESLIDUR"  
 On demand options: Different colours and dimensions available | Dimensions in mm | L dimension in meters  
 Replace # by colour code to complete the reference number | Colour codes:  1 |  2 |  3 |  6



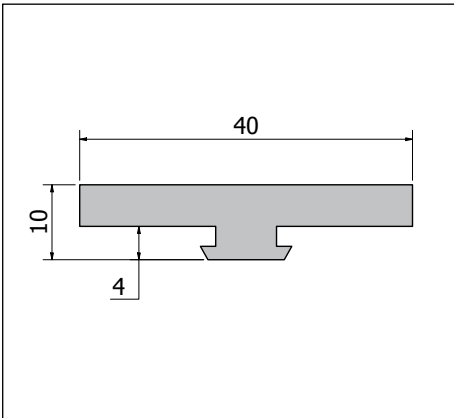
Ref.	Guide	L	Kg/m	Std.	MTO
<b>P#0850</b>	-	2	0.15	<input checked="" type="checkbox"/>	<input type="checkbox"/> <input checked="" type="checkbox"/>
<b>PAA#0850</b>	A 12052	2	0.45	<input checked="" type="checkbox"/>	<input type="checkbox"/>

Standard material: UHMW-PE "DESLIDUR"  
 On demand options: Different colours and dimensions available | Dimensions in mm | L dimension in meters  
 Replace # by colour code to complete the reference number | Colour codes:  1 |  2 |  3 |  6



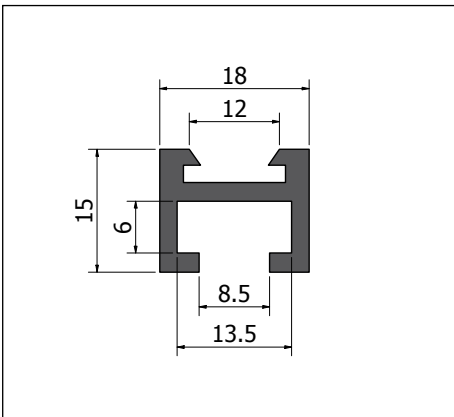
Ref.	Guide	L	Kg/m	Std.	MTO
<b>P#0860L2</b>	-	2	0.13	□ ■	■
<b>P#0860L3</b>	-	3	0.13	□ ■	■
<b>PAA#0860L2</b>	A 12052	2	0.43	□ ■ ■	□ ■ ■

Standard material: UHMW-PE "DESLIDUR"  
 On demand options: Different colours and dimensions available | Dimensions in mm | L dimension in meters  
 Replace # by colour code to complete the reference number | Colour codes: □ 1 | ■ 2 | ■ 3 | ■ 6



Ref.	Guide	L	Kg/m	Std.	MTO
<b>P#0865</b>	-	2	0.27	□	■
<b>PAA#0865</b>	A 12052	2	0.57	□	■

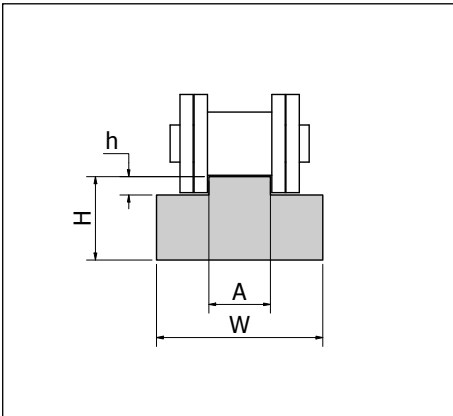
Standard material: UHMW-PE "DESLIDUR"  
 On demand options: Different colours and dimensions available | Dimensions in mm | L dimension in meters  
 Replace # by colour code to complete the reference number | Colour codes: □ 1 | ■ 2 | ■ 3 | ■ 6



Ref.	L	Kg/m
<b>A12052L2</b>	2	0.30
<b>A12052L3</b>	3	0.30
<b>A12052L6</b>	6	0.30

Standard material: Aluminium | Dimensions in mm | L dimension in meters

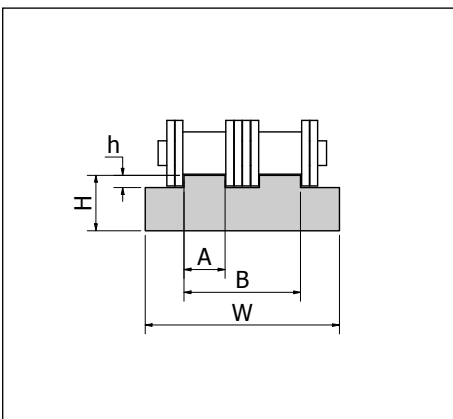




Ref.	Chain (ISO)	Pitch	W	H	A	h	L	Kg/m	Delivery
S1	06 B1	3/8"	15	10	5.4	1.5	2	0.13	Std
S2	08 B1	1/2"	20	10	7.4	2.2	2	0.16	Std
S215	08 B1	1/2"	20	15	7.4	2.2	2	0.26	Std
S3	10 B1	5/8"	20	10	9.2	2.6	2	0.16	Std
S315	10 B1	5/8"	20	15	9.2	2.6	2	0.26	Std
S4	12 B1	3/4"	25	10	11.3	2.4	2	0.21	Std
S415	12 B1	3/4"	25	15	11.3	2.4	2	0.32	Std
S5	16 B1	1"	40	15	16.5	3.5	2	0.47	Std
S520	16 B1	1"	40	20	16.5	3.5	2	0.66	MTO
S6	20 B1	1 1/4"	45	15	19	4.3	2	0.53	Std
S620	20 B1	1 1/4"	45	20	19	4.3	2	0.72	MTO
S7	24 B1	1 1/2"	60	15	24.6	5.6	2	0.78	MTO
S8	28 B1	1 3/4"	75	20	30	6.9	2	1.13	MTO
S9	32 B1	2"	85	20	30	7.8	2	1.21	MTO

Standard material: UHMW-PE "DESLIDUR"

On demand options: Different colours and dimensions available | Dimensions in mm | L dimension in meters

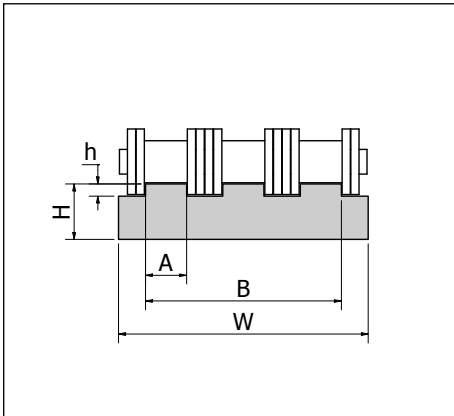


Ref.	Chain (ISO)	Pitch	W	H	A	h	B	L	Kg/m	Delivery
D1	06 B2	3/8"	25	10	5.4	1.5	16	2	0.23	Std
D2	08 B2	1/2"	35	10	7.4	2.2	21	2	0.31	Std
D215	08 B2	1/2"	35	15	7.4	2.2	21	2	0.44	MTO
D3	10 B2	5/8"	40	10	9.2	2.6	26	2	0.34	Std
D315	10 B2	5/8"	40	15	9.2	2.6	26	2	0.52	Std
D4	12 B2	3/4"	45	10	11.3	2.4	31	2	0.40	Std
D415	12 B2	3/4"	45	15	11.3	2.4	31	2	0.60	MTO
D5	16 B2	1"	48	15	16.5	3.5	48	2	0.86	Std
D520	16 B2	1"	48	20	16.5	3.5	48	2	1.16	MTO
D6	20 B2	1 1/4"	55	15	19	4.3	55	2	0.91	MTO
D620	20 B2	1 1/4"	55	20	19	4.3	55	2	1.23	MTO
D7	24 B2	1 1/2"	72	20	24.6	5.6	72	2	1.50	MTO
D8	28 B2	1 3/4"	89	20	30	6.9	89	2	1.79	MTO
D9	32 B2	2"	89	20	30	7.8	89	2	1.75	MTO

Standard material: UHMW-PE "DESLIDUR"

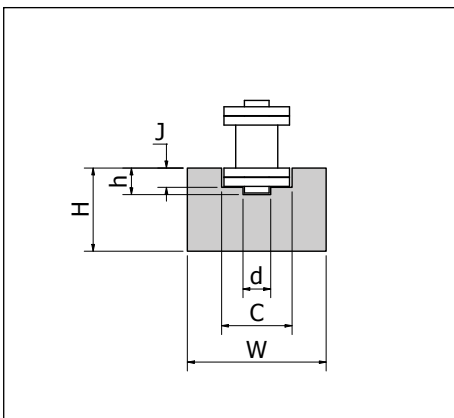
On demand options: Different colours and dimensions available | Dimensions in mm | L dimension in meters





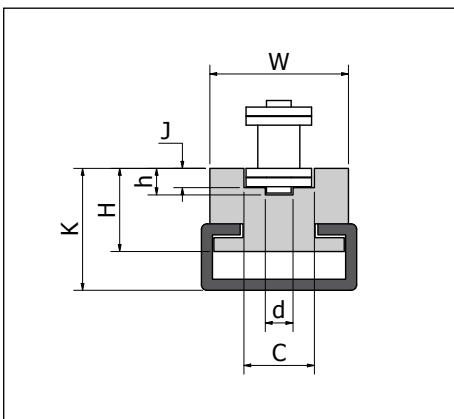
Ref.	Chain (ISO)	Pitch	W	H	A	h	B	L	Kg/m	Delivery
T1	06 B3	3/8"	35	10	5.4	1.5	25.9	2	0.31	MTO
T2	08 B3	1/2"	45	10	7.4	2.2	35.3	2	0.38	MTO
T215	08 B3	1/2"	45	15	7.4	2.2	35.3	2	0.59	MTO
T220	08 B3	1/2"	45	20	7.4	2.2	35.3	2	0.81	MTO
T3	10 B3	5/8"	55	10	9.2	2.6	42.5	2	0.45	MTO
T4	12 B3	3/4"	65	10	11.3	2.4	50.3	2	0.55	MTO
T5	16 B3	1"	95	15	16.5	3.5	80.3	2	1.17	MTO
T6	20 B3	1 1/4"	92	15	19	4.3	92	2	1.30	MTO
T7	24 B3	1 1/2"	121	20	24.6	5.6	121	2	2.25	MTO
T8	28 B3	1 3/4"	149	25	30	6.9	149	2	3.52	MTO
T9	32 B3	2"	149	30	30	7.8	149	2	4.26	MTO

Standard material: UHMW-PE "DESLIDUR"  
 On demand options: Different colours and dimensions available | Dimensions in mm | L dimension in meters



Ref.	Chain (ISO)	Pitch	W	H	C	h	J	d	L	Kg/m	Delivery
U1	06 B	3/8"	20	15	9.2	4.2	2.8	4	2	0.26	MTO
U2	08 B	1/2"	25	15	12.7	4.8	3.5	5	2	0.31	MTO
U3	10 B	5/8"	25	15	15.2	5.1	3.6	6	2	0.29	MTO
U4	12 B	3/4"	25	20	16.7	5.7	3.9	7	2	0.43	MTO
U5	16 B	1"	35	25	24.4	10	8.4	9	2	0.62	MTO

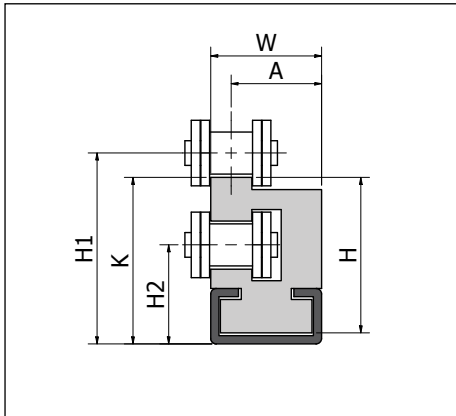
Standard material: UHMW-PE "DESLIDUR"  
 On demand options: Different colours and dimensions available | Dimensions in mm | L dimension in meters



Ref.	Metal guide	Chain (ISO)	Pitch	W	H	K	h	J	d	C	L	Kg/m	Delivery
UCG1	C 2010	06 B	3/8"	20	10	15	4.2	2.8	4	9.2	2	0.72	Std
UCG1SS	C 2010 SS	06 B	3/8"	20	10	15	4.2	2.8	4	9.2	2	0.72	MTO
UCG2	C 2812	08 B	1/2"	25	15	22	4.8	3.5	5	12.7	2	1.14	MTO
UCG2SS	C 2812 SS	08 B	1/2"	25	15	22	4.8	3.5	5	12.7	2	1.14	MTO
UCG3	C 2812	10 B	5/8"	25	15	22	5.1	3.6	6	15.2	2	1.13	MTO
UCG3SS	C 2812 SS	10 B	5/8"	25	15	22	5.1	3.6	6	15.2	2	1.13	MTO
UCG4	C 2812	12 B	3/4"	25	20	27	5.7	3.9	7	16.7	2	1.27	MTO
UCG4SS	C 2812 SS	12 B	3/4"	25	20	27	5.7	3.9	7	16.7	2	1.27	MTO
UCG5	C 3818	16 B	1"	35	25	33	10	8.4	9	24.4	2	2.03	MTO
UCG5SS	C 3818 SS	16 B	1"	35	25	33	10	8.4	9	24.4	2	2.03	MTO

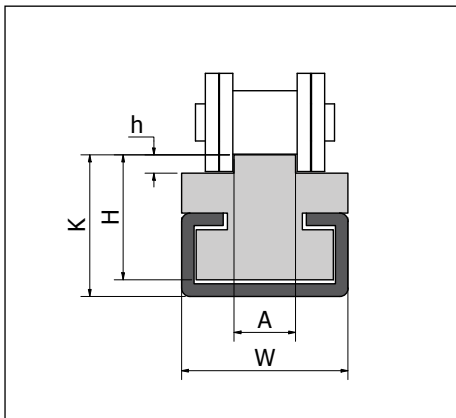
Standard profile material: UHMW-PE "DESLIDUR" | Metal guide material: ZN or SS  
 On demand options: Different colours and dimensions available | Dimensions in mm | L dimension in meters





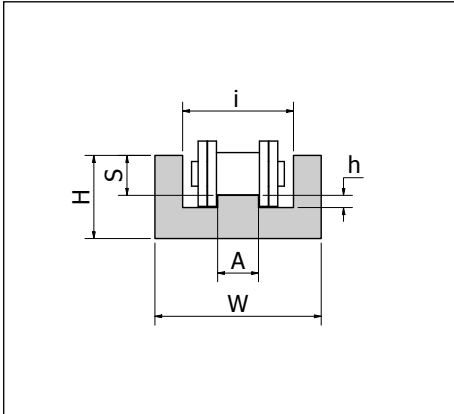
Ref.	Metal guide	Chain (ISO)	Pitch	W	H	H1	H2	A	K	L	Kg/m	Delivery
<b>2PCG1</b>	C 2010	06 B1	3/8"	17	25	30	17	14.5	27	2	0.90	MTO
<b>2PCG1 SS</b>	C 2010 SS	06 B1	3/8"	17	25	30	17	14.5	27	2	0.90	MTO
<b>2PCG2</b>	C 2010	08 B1	1/2"	20	28	34	18	16.5	30	2	0.96	MTO
<b>2PCG2 SS</b>	C 2010 SS	08 B1	1/2"	20	28	34	18	16.5	30	2	0.96	MTO
<b>2PCG3</b>	C 2010	10 B1	5/8"	20	33	41	21	15.5	36	2	1.12	MTO
<b>2PCG3 SS</b>	C 2010 SS	10 B1	5/8"	20	33	41	21	15.5	36	2	1.12	MTO
<b>2PCG4</b>	C 2812	12 B1	3/4"	24	37	46.5	24	18.6	41	2	1.70	MTO
<b>2PCG4 SS</b>	C 2812 SS	12 B1	3/4"	24	37	46.5	24	18.6	41	2	1.70	MTO
<b>2PCG5</b>	C 3818	16 B1	1"	33.5	51	62	34	25	54	2	3.10	MTO
<b>2PCG5 SS</b>	C 3818 SS	16 B1	1"	33.5	51	62	34	25	54	2	3.10	MTO

Standard profile material: UHMW-PE "DESLIDUR" | Metal guide material: ZN or SS  
 On demand options: Different colours and dimensions available | Dimensions in mm | L dimension in meters



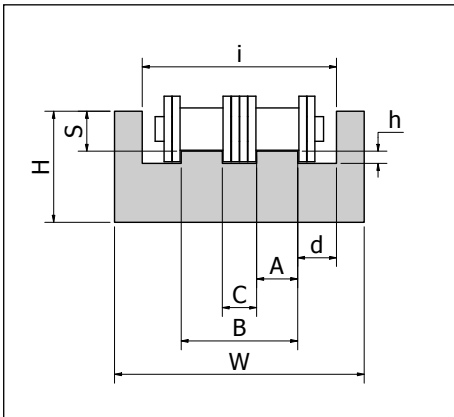
Ref.	Metal guide	Chain (ISO)	Pitch	W	H	K	h	A	L	Kg/m	Delivery
<b>TCG1</b>	C 2010	06 B1	3/8"	20	15	17	1.5	5.4	2	0.62	Std
<b>TCG1SS</b>	C 2010 SS	06 B1	3/8"	20	15	17	1.5	5.4	2	0.62	Std
<b>TCG2</b>	C 2010	08 B1	1/2"	20	15	17	2.2	7.4	2	0.69	Std
<b>TCG2SS</b>	C 2010 SS	08 B1	1/2"	20	15	17	2.2	7.4	2	0.69	Std
<b>TCG3</b>	C 2010	10 B1	5/8"	20	15	17	2.6	9.2	2	0.70	Std
<b>TCG3SS</b>	C 2010 SS	10 B1	5/8"	20	15	17	2.6	9.2	2	0.70	Std
<b>TCG4</b>	C 2812	12 B1	3/4"	28	15	18	2.4	11.3	2	1.17	Std
<b>TCG4SS</b>	C 2812 SS	12 B1	3/4"	28	15	18	2.4	11.3	2	1.17	Std
<b>TCG4R</b>	C 2010	12 B1	3/4"	20	15	17	2.5	11.3	2	0.72	MTO
<b>TCG4RSS</b>	C 2010 SS	12 B1	3/4"	20	15	17	2.5	11.3	2	0.72	MTO
<b>TCG5</b>	C 2812	16 B1	1"	28	20	24	3.5	16.5	2	2.24	MTO
<b>TCG5SS</b>	C 2812 SS	16 B1	1"	28	20	24	3.5	16.5	2	2.24	MTO
<b>TCG5R</b>	C 2812	16 B1	1"	28	15	18	3.5	16.5	2	1.25	MTO
<b>TCG5RSS</b>	C 2812 SS	16 B1	1"	28	15	18	3.5	16.5	2	1.25	MTO
<b>TCG6</b>	C 3818	20 B1	1 1/4"	38	25	30	4.3	19	2	2.30	MTO
<b>TCG6SS</b>	C 3818 SS	20 B1	1 1/4"	38	25	30	4.3	19	2	2.30	MTO
<b>TCG7</b>	C 3818	24 B1	1 1/2"	38	25	30	5.6	24.6	2	2.39	MTO
<b>TCG7SS</b>	C 3818 SS	24 B1	1 1/2"	38	25	30	5.6	24.6	2	2.39	MTO
<b>TCG8</b>	C 3818	28 B1	1 3/4"	38	25	30	6.9	30	2	2.41	MTO
<b>TCG8SS</b>	C 3818 SS	28 B1	1 3/4"	38	25	30	6.9	30	2	2.41	MTO
<b>TCG9</b>	C 3818	32 B1	2"	38	25	30	7.8	30	2	2.48	MTO
<b>TCG9SS</b>	C 3818 SS	32 B1	2"	38	25	30	7.8	30	2	2.48	MTO

Standard profile material: UHMW-PE "DESLIDUR" | Metal guide material: ZN or SS  
 On demand options: Different colours and dimensions available | Dimensions in mm | L dimension in meters



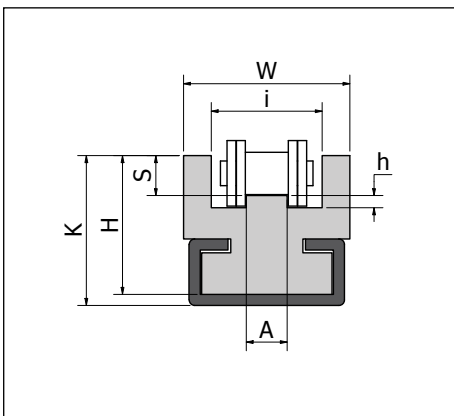
Ref.	Chain (ISO)	Pitch	W	H	i	h	A	S	L	Kg/m	Delivery
UC1	06 B1	3/8"	25	10	15	1.5	5.4	4.4	2	0.17	MTO
UC2	08 B1	1/2"	30	15	20	2.2	7.4	7.2	2	0.27	Std
UC3	10 B1	5/8"	33	20	23	2.6	9.2	9.5	2	0.40	Std
UC4	12 B1	3/4"	38	20	28	2.4	11.3	11.1	2	0.41	Std
UC5	16 B1	1"	51	25	41	3.5	16.5	16.5	2	0.51	Std
UC6	20 B1	1 1/4"	56	30	46	4.3	19	20.7	2	0.72	MTO

Standard material: UHMW-PE "DESLIDUR"  
On demand options: Different colours and dimensions available | Dimensions in mm | L dimension in meters



Ref.	Chain (ISO)	Pitch	W	H	i	h	A	S	B	C	d	L	Kg/m	Delivery
UCD1	06 B2	3/8"	36	15	26	1.5	5.4	4.4	16	5.2	5	2	0.39	Std
UCD2	08 B2	1/2"	45	20	35	2.2	7.4	7.2	21	6.2	7	2	0.62	Std
UCD3	10 B2	5/8"	50	25	40	2.6	9.2	9.5	26	7.6	7	2	0.82	Std
UCD4	12 B2	3/4"	56	25	46	2.4	11.3	11.1	31	8.4	7.5	2	0.81	Std
UCD5	16 B2	1"	85	30	75	3.5	16.5	16.5	48.4	15.4	13.3	2	1.20	Std

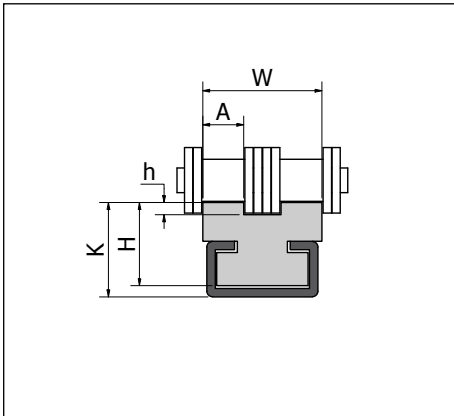
Standard material: UHMW-PE "DESLIDUR"  
On demand options: Different colours and dimensions available | Dimensions in mm | L dimension in meters



Ref.	Metal guide	Chain (ISO)	Pitch	W	H	K	i	h	A	S	L	Kg/m	Delivery
UCCG1	C 2010	06 B1	3/8"	25	15	18	15	1.5	5.4	4.4	2	0.76	Std
UCCG1SS	C 2010 SS	06 B1	3/8"	25	15	18	15	1.5	5.4	4.4	2	0.76	MTO
UCCG2	C 2812	08 B1	1/2"	30	25	27	20	2.2	7.4	7.2	2	1.10	MTO
UCCG2SS	C 2812 SS	08 B1	1/2"	30	25	27	20	2.2	7.4	7.2	2	1.10	MTO
UCCG3	C 2812	10 B1	5/8"	33	30	32	23	2.6	9.2	9.5	2	1.30	MTO
UCCG3SS	C 2812 SS	10 B1	5/8"	33	30	32	23	2.6	9.2	9.5	2	1.30	MTO
UCCG4	C 3818	12 B1	3/4"	38	35	40	28	2.4	11.3	11.1	2	2.33	MTO
UCCG4SS	C 3818 SS	12 B1	3/4"	38	35	40	28	2.4	11.3	11.1	2	2.33	MTO
UCCG5	C 3818	16 B1	1"	51	40	45	41	3.5	16.5	16.5	2	2.44	MTO
UCCG5SS	C 3818 SS	16 B1	1"	51	40	45	41	3.5	16.5	16.5	2	2.44	MTO

Standard profile material: UHMW-PE "DESLIDUR" | Metal guide material: ZN or SS  
On demand options: Different colours and dimensions available | Dimensions in mm | L dimension in meters

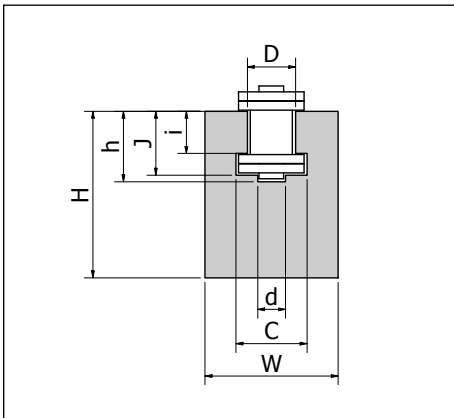




Ref.	Metal guide	Chain (ISO)	Pitch	W	H	K	h	A	L	Kg/m	Delivery
<b>TCGD1</b>	C 2010	06 B2	3/8"	16	10	15	1.5	5.4	2	0.61	MTO
<b>TCGD1SS</b>	C 2010 SS	06 B2	3/8"	16	10	15	1.5	5.4	2	0.61	MTO
<b>TCGD2</b>	C 2010	08 B2	1/2"	21	15	17	2.2	7.4	2	0.71	MTO
<b>TCGD2SS</b>	C 2010 SS	08 B2	1/2"	21	15	17	2.2	7.4	2	0.71	MTO
<b>TCGD3</b>	C 2812	10 B2	5/8"	26	15	17	2.6	9.2	2	1.16	MTO
<b>TCGD3SS</b>	C 2812 SS	10 B2	5/8"	26	15	17	2.6	9.2	2	1.16	MTO
<b>TCGD4</b>	C 2812	12 B2	3/4"	31	15	18	2.4	11.3	2	1.20	MTO
<b>TCGD4SS</b>	C 2812 SS	12 B2	3/4"	31	15	18	2.4	11.3	2	1.20	MTO

Standard profile material: UHMW-PE "DESLIDUR" | Metal guide material: ZN or SS

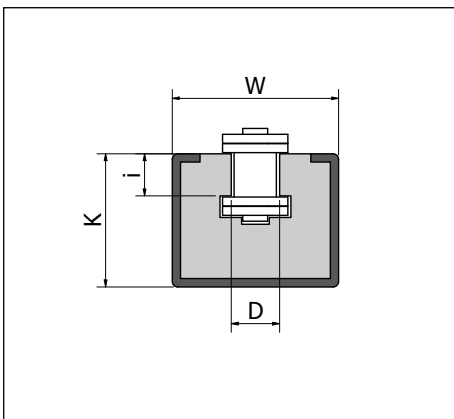
On demand options: Different colours and dimensions available | Dimensions in mm | L dimension in meters



Ref.	Chain (ISO)	Pitch	W	H	C	h	i	J	d	D	L	Kg/m	Delivery
<b>GH1</b>	06 B	3/8"	20	25	9.3	10	5.6	8.7	4	6.6	2	0.41	Std
<b>GH2</b>	08 B	1/2"	24	30	12.8	12.7	7.6	11.5	5	8.7	2	0.56	Std
<b>GH3</b>	10 B	5/8"	30	35	15.4	14.8	9.5	13.5	6	10.4	2	0.83	Std
<b>GH4</b>	12 B	3/4"	40	35	16.9	17.5	11.5	15.9	7	12.3	2	1.11	Std
<b>GH5</b>	16 B	1"	40	45	24.4	28.2	15.9	25.7	9	16.2	2	1.23	Std
<b>GH6</b>	20 B	1 1/4"	50	50	27.5	31.2	19.4	29.3	11	19.3	2	1.73	MTO
<b>GH7</b>	24 B	1 1/2"	60	60	36.5	40.1	25.2	38.2	16	25.7	2	2.33	MTO
<b>GH8</b>	28 B	1 3/4"	70	70	41.5	48.9	30.8	46.9	17	28.3	2	3.17	MTO
<b>GH9</b>	32 B	2"	75	75	44.5	53	30.8	47.3	19	29.6	2	3.26	MTO

Standard material: UHMW-PE "DESLIDUR"

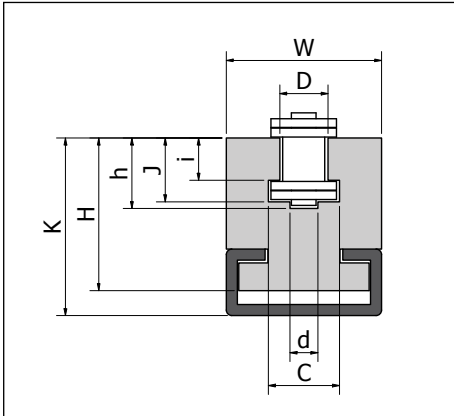
On demand options: Different colours and dimensions available | Dimensions in mm | L dimension in meters



Ref.	Metal Guide	Chain (ISO)	Pitch	W	K	i	D	L	Kg/m	Delivery
<b>GHCG1</b>	C 3024	06 B	3/8"	30	24	5.6	6.6	2	1.37	Std
<b>GHCG1SS</b>	C 3024 SS	06 B	3/8"	30	24	5.6	6.6	2	1.37	Std
<b>GHCG2</b>	C 3024	08 B	1/2"	30	24	7.6	8.7	2	1.35	Std
<b>GHCG2SS</b>	C 3024 SS	08 B	1/2"	30	24	7.6	8.7	2	1.35	Std
<b>GHCG3</b>	C 3024	10 B	5/8"	30	24	9.3	10.4	2	1.30	Std
<b>GHCG3SS</b>	C 3024 SS	10 B	5/8"	30	24	9.3	10.4	2	1.30	Std
<b>GHCG4</b>	C 3024	12 B	3/4"	30	24	11.5	12.3	2	1.26	Std
<b>GHCG4SS</b>	C 3024 SS	12 B	3/4"	30	24	11.5	12.3	2	1.26	Std
<b>GHCG5</b>	C 4540	16 B	1"	45	40	15.9	16.2	2	2.93	Std
<b>GHCG5SS</b>	C 4540 SS	16 B	1"	45	40	15.9	16.2	2	2.93	Std

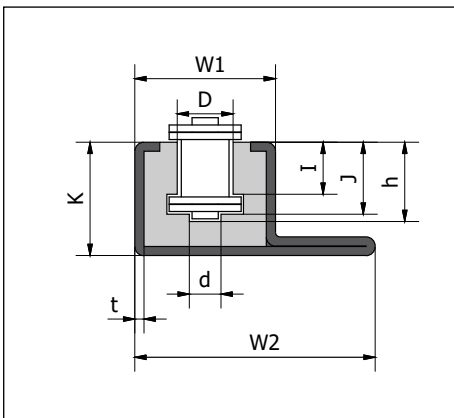
Standard profile material: UHMW-PE "DESLIDUR" | Metal guide material: ZN or SS

On demand options: Different colours and dimensions available | Dimensions in mm | L dimension in meters



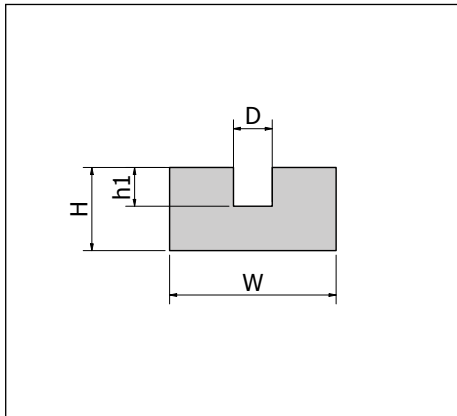
Ref.	Metal guide	Chain (ISO)	Pitch	W	H	K	i	J	h	d	D	C	L	Kg/m	Deliv.
<b>GHLCG1</b>	C 2010	06 B	3/8"	20	17.5	21	5.6	8.7	9.9	4	6.6	9.3	2	0.62	MTO
<b>GHLCG1SS</b>	C 2010 SS	06 B	3/8"	20	17.5	21	5.6	8.7	9.9	4	6.6	9.3	2	0.62	MTO
<b>GHLCG2</b>	C 2812	08 B	1/2"	28	27.5	32	7.6	11.5	12.7	5	8.7	12.8	2	1.45	MTO
<b>GHLCG2SS</b>	C 2812 SS	08 B	1/2"	28	27.5	32	7.6	11.5	12.7	5	8.7	12.8	2	1.45	MTO
<b>GHLCG3</b>	C 2812	10 B	5/8"	28	27.5	32	9.3	13.5	14.8	6	10.4	15.4	2	1.40	MTO
<b>GHLCG3SS</b>	C 2812 SS	10 B	5/8"	28	27.5	32	9.3	13.5	14.8	6	10.4	15.4	2	1.40	MTO
<b>GHLCG4</b>	C 3818	12 B1	3/4"	38	34	43	11.5	15.9	17.5	7	12.3	16.9	2	1.71	MTO
<b>GHLCG4SS</b>	C 3818 SS	12 B1	3/4"	38	34	43	11.5	15.9	17.5	7	12.3	16.9	2	1.71	MTO
<b>GHLCG5</b>	C 3818	16 B	1"	38	40	50	15.9	25.7	28.2	9	16.2	24.4	2	1.60	MTO
<b>GHLCG5SS</b>	C 3818 SS	16 B	1"	38	40	50	15.9	25.7	28.2	9	16.2	24.4	2	1.60	MTO
<b>GHLCG6</b>	C 6020	20 B	1 1/4"	60	45	55	19.4	29.3	31.2	11	19.3	27.5	2	4.80	MTO
<b>GHLCG6SS</b>	C 6020 SS	20 B	1 1/4"	60	45	55	19.4	29.3	31.2	11	19.3	27.5	2	4.80	MTO
<b>GHLCG7</b>	C 6020	24 B	1 1/2"	60	55	65	25.2	38.2	40.1	16	25.7	36.5	2	5.00	MTO
<b>GHLCG7SS</b>	C 6020 SS	24 B	1 1/2"	60	55	65	25.2	38.2	40.1	16	25.7	36.5	2	5.00	MTO
<b>GHLCG8</b>	C 6020	28 B	1 3/4"	70	70	80	30.8	46.9	48.9	17	28.3	41.5	2	6.20	MTO
<b>GHLCG8SS</b>	C 6020 SS	28 B	1 3/4"	70	70	80	30.8	46.9	48.9	17	28.3	41.5	2	6.20	MTO
<b>GHLCG9</b>	C 6020	32 B	2"	70	70	80	30.8	47.3	53	19	29.6	44.5	2	6.20	MTO
<b>GHLCG9SS</b>	C 6020 SS	32 B	2"	70	70	80	30.8	47.3	53	19	29.6	44.5	2	6.20	MTO

Standard profile material: UHMW-PE "DESLIDUR" | Metal guide material: ZN or SS  
 On demand options: Different colours and dimensions available | Dimensions in mm | L dimension in meters



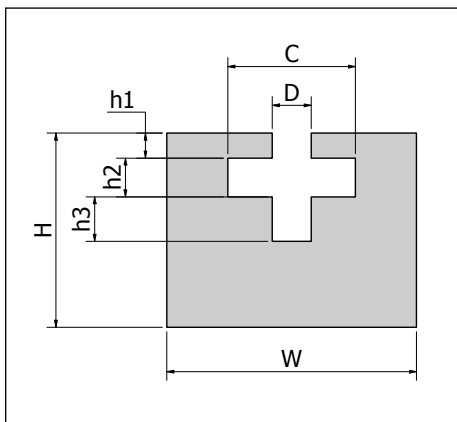
Ref.	Chain (ISO)	Pitch	W1	W2	K	I	J	h	d	D	t	L	Kg/m	Deliv.
<b>GHPCG1</b>	06 B	3/8"	31	53	25	5.6	8.7	9.9	4	6.6	2	2	1.99	MTO
<b>GHPCG1SS</b>	06 B	3/8"	31	53	25	5.6	8.7	9.9	4	6.6	2	2	1.99	MTO
<b>GHPCG2</b>	08 B	1/2"	31	53	25	7.6	11.5	12.7	5	8.7	2	2	1.94	MTO
<b>GHPCG2SS</b>	08 B	1/2"	31	53	25	7.6	11.5	12.7	5	8.7	2	2	1.94	MTO
<b>GHPCG3</b>	10 B	5/8"	31	53	25	9.3	13.5	14.8	6	10.4	2	2	1.90	MTO
<b>GHPCG3SS</b>	10 B	5/8"	31	53	25	9.3	13.5	14.8	6	10.4	2	2	1.90	MTO
<b>GHPCG4</b>	12 B	3/4"	31	53	25	11.5	15.9	17.5	7	12.3	2	2	1.84	MTO
<b>GHPCG4SS</b>	12 B	3/4"	31	53	25	11.5	15.9	17.5	7	12.3	2	2	1.84	MTO

Standard profile material: UHMW-PE "DESLIDUR" | Metal guide material: ZN or SS  
 On demand options: Different colours and dimensions available | Dimensions in mm | L dimension in meters



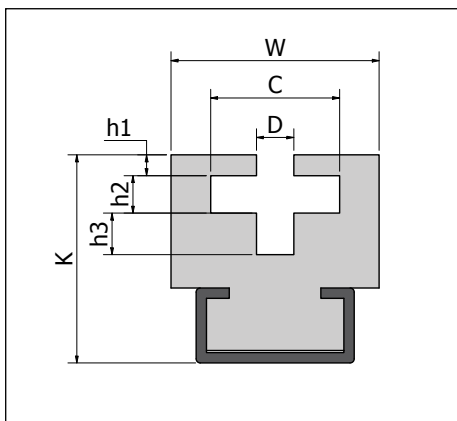
Ref.	W	H	D	h1	L	Kg/m	Delivery
<b>GME06</b>	30	15	7	7	2	0.40	MTO
<b>GME08</b>	35	20	9	9	2	0.61	MTO
<b>GME10</b>	45	25	11	11	2	1.00	MTO
<b>GME13</b>	55	30	15	15	2	1.42	MTO

Standard material: UHMW-PE "DESLIDUR"  
 On demand options: Different colours and dimensions available | Dimensions in mm | L dimension in meters



Ref.	W	H	D	C	h1	h2	h3	L	Kg/m	Delivery
<b>GHE06</b>	45	35	7	23	4.5	7	8	2	1.40	MTO
<b>GHE08</b>	50	40	9	31	5	9	10	2	1.74	MTO
<b>GHE10</b>	50	45	11	35	8.5	11	12	2	1.70	MTO
<b>GHE13</b>	60	50	15	47	10.5	15	16	2	2.14	MTO

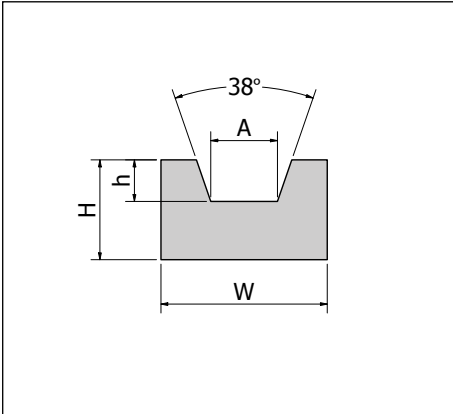
Standard material: UHMW-PE "DESLIDUR"  
 On demand options: Different colours and dimensions available | Dimensions in mm | L dimension in meters



Ref.	Metal guide	W	K	D	C	h1	h2	h3	L	Kg/m	Delivery
<b>GHEL06</b>	C 3818	45	45	7	23	4.5	7	8	2	3.20	MTO
<b>GHEL06SS</b>	C 3818 SS	45	45	7	23	4.5	7	8	2	3.20	MTO
<b>GHEL08</b>	C 3818	50	50	9	31	5	9	10	2	3.80	MTO
<b>GHEL08SS</b>	C 3818 SS	50	50	9	31	5	9	10	2	3.80	MTO
<b>GHEL10</b>	C 3818	50	60	11	35	8.5	11	12	2	3.90	MTO
<b>GHEL10SS</b>	C 3818 SS	50	60	11	35	8.5	11	12	2	3.90	MTO
<b>GHEL13</b>	C 6020	60	75	15	47	10.5	15	16	2	5.10	MTO
<b>GHEL13SS</b>	C 6020 SS	60	75	15	47	10.5	15	16	2	5.10	MTO

Standard profile material: UHMW-PE "DESLIDUR" | Metal guide material: ZN or SS  
 On demand options: Different colours and dimensions available | Dimensions in mm | L dimension in meters

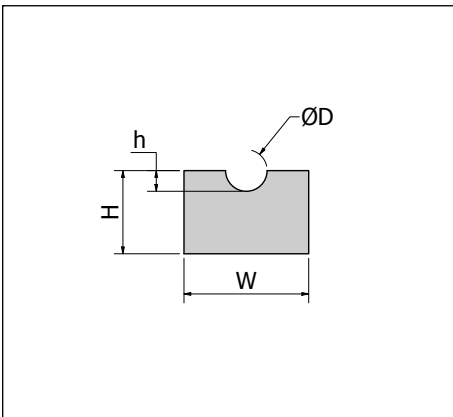
### V-Belt Guides



Ref.	W	H	h	A	L	Kg/m	Std.
<b>CT10Z</b>	20	10	3	6.5	2	0.20	■
<b>CT13A</b>	20	12	5	8	2	0.23	■
<b>CT15E</b>	25	12	5	10	2	0.29	■
<b>CT17B</b>	30	15	8	10.5	2	0.43	■
<b>CT22C</b>	35	20	11	13.5	2	0.66	■
<b>CT30D</b>	40	25	13	19	2	0.94	■

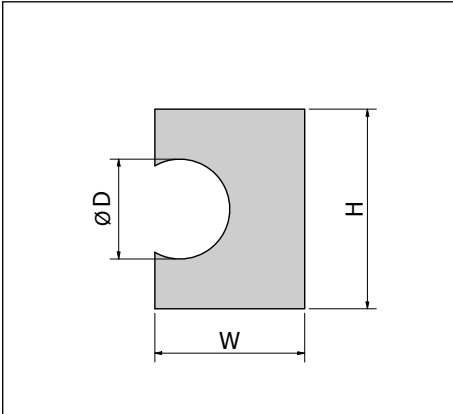
Standard material: UHMW-PE "DESLIDUR" | Dimensions in mm | L dimension in meters

### Round Belt Guides



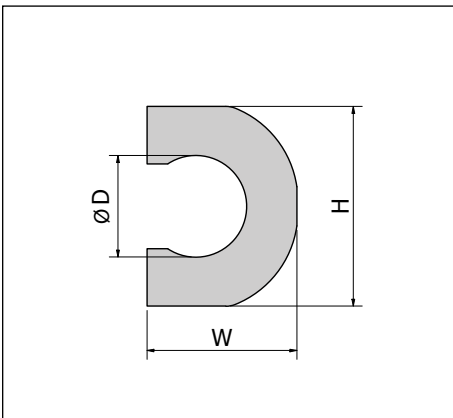
Ref.	W	H	h	ØD	L	Kg/m	Std.
<b>COR04</b>	15	10	2	4	2	0.14	■
<b>COR05</b>	15	10	2.5	5	2	0.14	■
<b>COR06</b>	20	10	3	6	2	0.19	■
<b>COR08</b>	20	10	4	8	2	0.17	■
<b>COR10</b>	25	12	5	10	2	0.26	■
<b>COR12</b>	25	12	6	12	2	0.24	■
<b>COR15</b>	25	15	7.5	15	2	0.29	■
<b>COR20</b>	30	20	10	20	2	0.44	■

Standard material: UHMW-PE "DESLIDUR" | Dimensions in mm | L dimension in meters



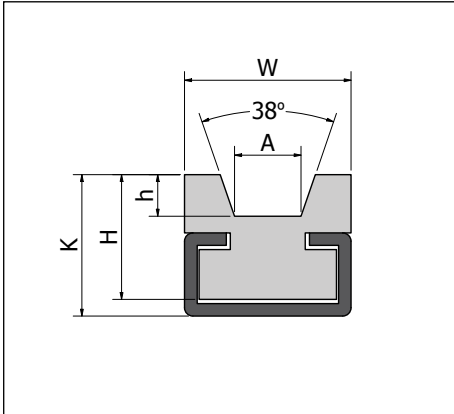
Ref.	W	H	ØD	L	Kg/m	Std.
<b>R08</b>	14	20	8	2	0.21	■
<b>R10</b>	16	22	10	2	0.25	■
<b>R12</b>	18	24	12	2	0.29	■

Standard material: UHMW-PE "DESLIDUR" | Dimensions in mm | L dimension in meters



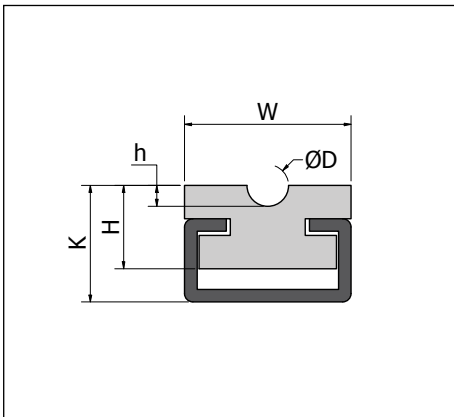
Ref.	W	H	ØD	L	Kg/m	Std.
<b>MCH06</b>	14	20	6	2	0.21	■
<b>MCH08</b>	14	20	8	2	0.19	■
<b>MCH10</b>	16	22	10	2	0.22	■
<b>MCH12</b>	18	24	12	2	0.25	■

Standard material: UHMW-PE "DESLIDUR" | Dimensions in mm | L dimension in meters

**Flat Belt, V-Belt and Cable Guides**


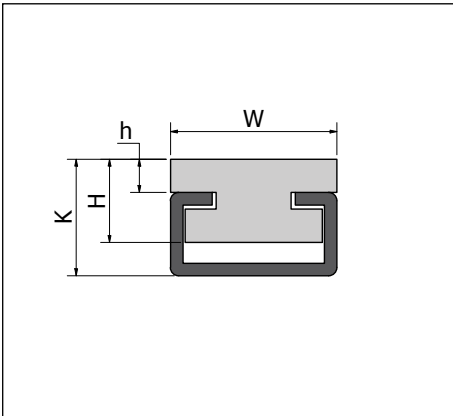
Ref.	Metal guide	W	H	h	K	A	L	Kg/m	Delivery
<b>CTCG10Z</b>	C 2010	20	15	3	17	6.5	2	0.79	MTO
<b>CTCG10ZSS</b>	C 2010 SS	20	15	3	17	6.5	2	0.79	MTO
<b>CTCG13A</b>	C 2010	20	15	5	17	8	2	0.78	MTO
<b>CTCG13ASS</b>	C 2010 SS	20	15	5	17	8	2	0.78	MTO
<b>CTCG15E</b>	C 2812	25	20	5	24	10	2	1.35	MTO
<b>CTCG15ESS</b>	C 2812 SS	25	20	5	24	10	2	1.35	MTO
<b>CTCG17B</b>	C 2812	30	20	8	24	10.5	2	1.44	MTO
<b>CTCG17BSS</b>	C 2812 SS	30	20	8	24	10.5	2	1.44	MTO
<b>CTCG22C</b>	C 3818	38	25	11	32	13.5	2	2.26	MTO
<b>CTCG22CSS</b>	C 3818 SS	38	25	11	32	13.5	2	2.26	MTO
<b>CTCG30D</b>	C 3818	40	30	13	35	19	2	2.57	MTO
<b>CTCG30DSS</b>	C 3818 SS	40	30	13	35	19	2	2.57	MTO

Standard profile material: UHMW-PE "DESLIDUR" | Metal guide material: ZN or SS  
On demand options: Different colours and dimensions available | Dimensions in mm | L dimension in meters



REF.	Metal guide	W	H	h	K	D	L	Kg/m	Delivery
<b>CORCG04</b>	C 2010	20	10	2	14	4	2	0.68	MTO
<b>CORCG04SS</b>	C 2010 SS	20	10	2	14	4	2	0.68	MTO
<b>CORCG05</b>	C 2010	20	10	2.5	14	5	2	0.67	MTO
<b>CORCG05SS</b>	C 2010 SS	20	10	2.5	14	5	2	0.67	MTO
<b>CORCG06</b>	C 2010	20	10	3	14	6	2	0.66	MTO
<b>CORCG06SS</b>	C 2010 SS	20	10	3	14	6	2	0.66	MTO
<b>CORCG08</b>	C 2010	20	10	4	14	8	2	0.65	MTO
<b>CORCG08SS</b>	C 2010 SS	20	10	4	14	8	2	0.65	MTO
<b>CORCG10</b>	C 2812	28	15	5	18	10	2	1.18	MTO
<b>CORCG10SS</b>	C 2812 SS	28	15	5	18	10	2	1.18	MTO
<b>CORCG12</b>	C 2812	28	15	6	18	12	2	1.14	MTO
<b>CORCG12SS</b>	C 2812 SS	28	15	6	18	12	2	1.14	MTO
<b>CORCG15</b>	C 2812	28	15	7.5	18	15	2	1.16	MTO
<b>CORCG15SS</b>	C 2812 SS	28	15	7.5	18	15	2	1.16	MTO
<b>CORCG20</b>	C 2812	28	20	10	24	20	2	1.28	MTO
<b>CORCG20SS</b>	C 2812 SS	28	20	10	24	20	2	1.28	MTO

Standard profile material: UHMW-PE "DESLIDUR" | Metal guide material: ZN or SS  
On demand options: Different colours and dimensions available | Dimensions in mm | L dimension in meters

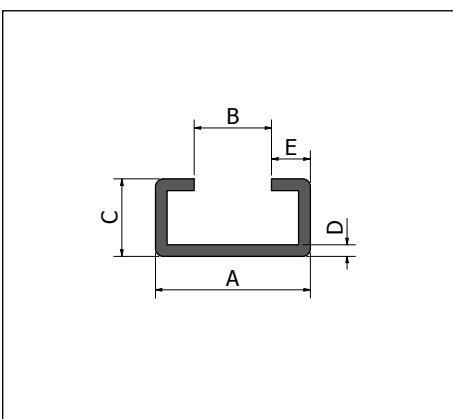


Ref.	Metal guide	W	K	H	h	L	Kg/m	Delivery
<b>HCG2006</b>	C 2405	20	6	5	0.8	2	0.35	MTO
<b>HCG2006SS</b>	C 2405 SS	20	6	5	0.8	2	0.35	MTO
<b>HCG2011</b>	C 2405	20	11	10	5.8	2	0.45	MTO
<b>HCG2011SS</b>	C 2405 SS	20	11	10	5.8	2	0.45	MTO
<b>HCG2014</b>	C 2010	20	14	10	4	2	0.79	Std
<b>HCG2014SS</b>	C 2010 SS	20	14	10	4	2	0.79	Std
<b>HCG2017</b>	C 2010	20	17	15	7	2	0.88	Std
<b>HCG2017SS</b>	C 2010 SS	20	17	15	7	2	0.88	Std
<b>HCG2020</b>	C 2010	20	20	15	9.8	2	0.91	Std
<b>HCG2020SS</b>	C 2010 SS	20	20	15	9.8	2	0.91	Std
<b>HCG2022</b>	C 2010	20	22	20	12	2	0.94	Std
<b>HCG2022SS</b>	C 2010 SS	20	22	20	12	2	0.94	Std
<b>HCG2815</b>	C 2812	28	15	10	3	2	1.18	MTO
<b>HCG2815SS</b>	C 2812 SS	28	15	10	3	2	1.18	MTO
<b>HCG2818</b>	C 2812	28	18	15	6	2	1.32	MTO
<b>HCG2818SS</b>	C 2812 SS	28	18	15	6	2	1.32	MTO
<b>HCG2824</b>	C 2812	28	24	20	12	2	1.49	Std
<b>HCG2824SS</b>	C 2812 SS	28	24	20	12	2	1.49	Std
<b>HCG3822</b>	C 3818	38	22	12	4	2	2.20	MTO
<b>HCG3822SS</b>	C 3818 SS	38	22	12	4	2	2.20	MTO
<b>HCG3824</b>	C 3818	38	24	15	6	2	2.46	Std
<b>HCG3824SS</b>	C 3818 SS	38	24	15	6	2	2.46	Std
<b>HCG3830</b>	C 3818	38	30	20	12	2	2.69	MTO
<b>HCG3830SS</b>	C 3818 SS	38	30	20	12	2	2.69	MTO
<b>HCG6030</b>	C 6020	60	30	20	10	2	3.26	MTO
<b>HCG6030SS</b>	C 6020 SS	60	30	20	10	2	3.26	MTO

Standard profile material: UHMW-PE "DESLIDUR" | Metal guide material: ZN or SS

On demand options: Different colours and dimensions available | Dimensions in mm | L dimension in meters

### Steel Profiles



Ref.		A	B	C	D	E	L	Kg/m
ZN	SS							
<b>C2405</b>	<b>C2405SS</b>	24	17.5	5.2	1	3.25	2	0.28
<b>C2010</b>	<b>C2010SS</b>	20	10	10	1.3	5	2	0.38
<b>C2812</b>	<b>C2812SS</b>	28	14	12	2	7	2	0.86
<b>C2816</b>	<b>C2816SS</b>	28	14	16	2.5	7	2	1.16
<b>C3818</b>	<b>C3818SS</b>	38	22	18	2.5	8	2	1.43
<b>C3024</b>	<b>C3024SS</b>	30	20	24	1.5	5	2	0.94
<b>C4540</b>	<b>C4540SS</b>	45	31	40	2	7	2	2.05
<b>C6020</b>	<b>C6020SS</b>	60	36	20	2.5	12	2	2.16

On demand options: Different colours and dimensions available | Dimensions in mm | L dimension in meters